

XACA205

Harmony XAC, Pendant control station, plastic, yellow, pistol grip, 2 push buttons with NO + NC



Main

| | |
|---------------------------|-------------------------|
| Range of Product | Harmony XAC |
| Product or Component Type | Pendant control station |
| Device short name | XACA pistol grip |

Complementary

| | |
|--|---|
| Control station type | Double insulated |
| Enclosure Material | Polypropylene |
| Control Type | Intuitive |
| Electrical circuit type | Control circuit |
| Enclosure Type | Complete ready for use |
| Control station application | Control of single speed hoist motor |
| Control station composition | 2 push-buttons |
| Control button type | First push-button 1 NC + 1 NO raise, slow Second push-button 1 NC + 1 NO lower, slow |
| Product compatibility | ZB2BE102 + ZB2BE101 for each direction |
| Mechanical interlocking | With mechanical interlocking |
| Control station colour | Yellow |
| Connections - terminals | Screw clamp terminals, 1 x 2.5 mm ² with or without cable end Screw clamp terminals, 2 x 1.5 mm ² with or without cable end |
| Standards | UL 508 EN/IEC 60947-5-1 CSA C22.2 No 14 EN/IEC 60204-32 |
| Product Certifications | UL CSA |
| Protective treatment | TH |
| Ambient Air Temperature for Operation | -13...158 °F (-25...70 °C) |
| Ambient Air Temperature for Storage | -40...158 °F (-40...70 °C) |
| Vibration resistance | 15 gn 10...500 Hz)IEC 60068-2-6 |
| Shock resistance | 100 gn IEC 60068-2-27 |
| Overvoltage category | Class II IEC 61140 |
| IP degree of protection | IP65 conforming to IEC 60529 |
| IK degree of protection | IK08 EN 50102 |
| Mechanical durability | 1000000 cycles |
| Cable entry | Rubber sleeve with stepped entry 0.28...0.59 in (7...15 mm) |
| Contact code designation | A600 AC-15, Ue = 240 V, Ie = 3 A IEC 60947-5-1 appendix A A600 AC-15, Ue = 600 V, Ie = 1.2 A IEC 60947-5-1 appendix A Q600 DC-13, Ue = 250 V, Ie = 0.27 A IEC 60947-5-1 appendix A Q600 DC-13, Ue = 600 V, Ie = 0.1 A IEC 60947-5-1 appendix A |
| [Ithe] conventional enclosed thermal current | 10 A |
| [Ui] rated insulation voltage | 600 V 3)IEC 60947-1 |

The information provided in this documentation contains general descriptions and/or technical characteristics of the performance of the products contained herein. This documentation is not intended as a substitute for and is not to be used for determining suitability or reliability of these products for specific user applications. It is the duty of any such user or integrator to perform the appropriate and complete risk analysis, evaluation and testing of the products with respect to the relevant specific application or use thereof. Neither Schneider Electric Industries SAS nor any of its affiliates or subsidiaries shall be responsible or liable for misuse of the information contained herein.

| | |
|--|--|
| [Uimp] rated impulse withstand voltage | 6 kV IEC 60947-1 |
| Contact operation | Slow-break |
| Maximum resistance across terminals | 25 MOhm |
| Operating force | 13...15 N |
| Short-circuit protection | 10 A fuse protection cartridge gG |
| Rated operational power in W | 40 W DC-13 1000000 cycles 60 cyc/mn 120 V 0.5 inductive IEC 60947-5-1 appendix C 48 W DC-13 1000000 cycles 60 cyc/mn 48 V 0.5 inductive IEC 60947-5-1 appendix C 65 W DC-13 1000000 cycles 60 cyc/mn 24 V 0.5 inductive IEC 60947-5-1 appendix C |
| Terminals description ISO n°1 | (11-12)NC (13-14)NO |
| Terminal identifier | (11-12)NC (13-14)NO |
| Net Weight | 0.66 lb(US) (0.3 kg) |

Ordering and shipping details

| | |
|-----------------------|----------------------------|
| Category | 22473-PUSHBUTTON, PENDANTS |
| Discount Schedule | CS2 |
| GTIN | 3389110645026 |
| Nbr. of units in pkg. | 1 |
| Package weight(Lbs) | 9.95 oz (282.0 g) |
| Returnability | Yes |
| Country of origin | FR |

Packing Units

| | |
|------------------------------|---------------------------|
| Unit Type of Package 1 | PCE |
| Package 1 Height | 2.48 in (6.3 cm) |
| Package 1 width | 11.46 in (29.1 cm) |
| Package 1 Length | 3.78 in (9.6 cm) |
| Unit Type of Package 2 | P06 |
| Number of Units in Package 2 | 120 |
| Package 2 Weight | 106.71 lb(US) (48.404 kg) |
| Package 2 Height | 30.31 in (77 cm) |
| Package 2 width | 23.62 in (60 cm) |
| Package 2 Length | 31.50 in (80 cm) |
| Unit Type of Package 3 | S03 |
| Number of Units in Package 3 | 15 |
| Package 3 Weight | 10.40 lb(US) (4.718 kg) |
| Package 3 Height | 11.81 in (30 cm) |
| Package 3 width | 11.81 in (30 cm) |
| Package 3 Length | 15.75 in (40 cm) |

Offer Sustainability

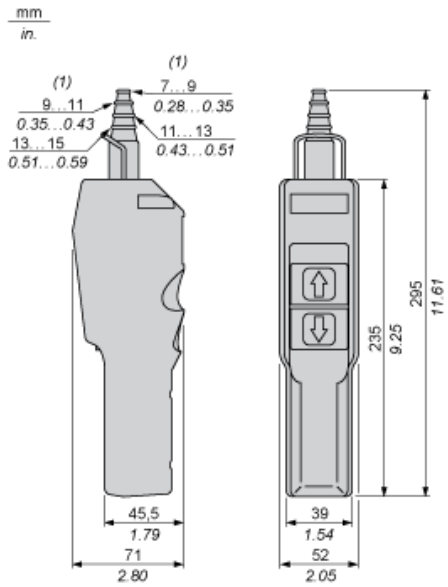
| | |
|----------------------------|--|
| Sustainable offer status | Green Premium product |
| California proposition 65 | WARNING: This product can expose you to chemicals including: Nickel compounds, which is known to the State of California to cause cancer, and Di-isodecyl phthalate (DIDP), which is known to the State of California to cause birth defects or other reproductive harm. For more information go to www.P65Warnings.ca.gov |
| REACH Regulation | REACH Declaration |
| REACH free of SVHC | Yes |
| EU RoHS Directive | Pro-active compliance (Product out of EU RoHS legal scope) EU RoHS Declaration |
| Toxic heavy metal free | Yes |
| Mercury free | Yes |
| RoHS exemption information | Yes |

| | |
|--------------------------|--|
| China RoHS Regulation | China RoHS Declaration |
| Environmental Disclosure | Product Environmental Profile |
| WEEE | The product must be disposed on European Union markets following specific waste collection and never end up in rubbish bins. |

Contractual warranty

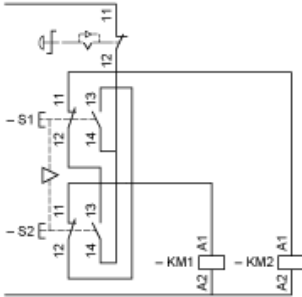
| | |
|----------|-----------|
| Warranty | 18 months |
|----------|-----------|

Dimensions



(1) Internal Ø

Control of Single-Speed Reversing Motor

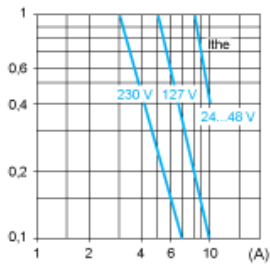


Rated Operational Power

AC Supply 50/60 Hz Inductive Circuit

Operating rate: 3600 operating cycles/hour. Load factor: 0.5.

Millions of operating cycles, AC-15 utilization category



I_{the} Thermal current
(A) Current

DC Supply

Operating rate: 3600 operating cycles/hour. Load factor: 0.5.

Power broken in W for 1 million operating cycles, DC-13 utilization category

| Voltage | V | 24 | 48 | 120 |
|-------------------|---|----|----|-----|
| Inductive circuit | W | 65 | 48 | 40 |