



Main

Range of Product	Modicon TM3
Product or Component Type	Remote transmitter module
Range Compatibility	Modicon M241 Modicon M251 Modicon M221 Modicon M262

Complementary

Current consumption	100 mA 5 V DC via bus connector at state on 30 mA 5 V DC via bus connector at state off
Maximum power dissipation in W	0.6 W
Cable distance between devices	0.02...0.20 in (0.5...5 mm) extension cable 2 RJ45 between receiver and transmitter
Local signalling	For power supply 1 LED (green) For link status 1 LED (green)
Electrical connection	RJ45 connector for connecting the bus receiver Screw connector terminal for connecting the functional ground
Marking	CE
Resistance to electrostatic discharge	8 kV in air EN/IEC 61000-4-2 6 kV on contact EN/IEC 61000-4-2
Resistance to electromagnetic fields	9.14 V/m (10 V/m) 80 MHz...1 GHz EN/IEC 61000-4-3 2.74 V/m (3 V/m) 1.4 GHz...2 GHz EN/IEC 61000-4-3 0.91 V/m (1 V/m) 2...2.7 GHz EN/IEC 61000-4-3
Resistance to conducted disturbances	10 V 0.15...80 MHz EN/IEC 61000-4-6 3 V spot frequency (2, 3, 4, 6.2, 8.2, 12.6, 16.5, 18.8, 22, 25 MHz) Marine specification (LR, ABS, DNV, GL)
Electromagnetic emission	Radiated emissions 40 dB μ V/m QP class A 10 m)30...230 MHz EN/IEC 55011 Radiated emissions 47 dB μ V/m QP class A 10 m)230...1000 MHz EN/IEC 55011
Mounting support	Top hat type TH35-15 rail IEC 60715 Top hat type TH35-7.5 rail IEC 60715 Plate or panel with fixing kit
Height	3.54 in (90 mm)
Depth	2.89 in (73.3 mm)
Width	0.93 in (23.65 mm)
Net Weight	0.14 lb(US) (0.065 kg)

Environment

Standards	Class I Division 2 Groups A/B/C/D CSA C22.2 No 213 Class I Division 2 Groups A/B/C UL 1604 CSA C22.2 No 142 IEC 61131-2 UL 508
Product Certifications	Merchant Navy C-tick GOST CSA HazLoc
Ambient air temperature for operation	14...131 °F (-10...55 °C) horizontal installation) 14...122 °F (-10...50 °C) vertical installation)
Ambient Air Temperature for Storage	-40...158 °F (-40...70 °C)
Relative Humidity	5...95 % without condensation
IP degree of protection	IP20 with protective cover in place
Pollution degree	2
Operating altitude	0...6561.68 ft (0...2000 m)
Storage altitude	0.00...9842.52 ft (0...3000 m)
Vibration resistance	3.5 mm 5...8.4 Hz DIN rail 3 gn 8.4...150 Hz DIN rail 3.5 mm 5...8.4 Hz panel 3 gn 8.4...150 Hz panel
Shock resistance	15 gn 11 ms

Ordering and shipping details

Category	22533-M2XX PLC & ACCESSORIES
Discount Schedule	MSX
GTIN	3606480611230
Nbr. of units in pkg.	1
Package weight(Lbs)	5.75 oz (163.0 g)
Returnability	Yes
Country of origin	ID

Packing Units

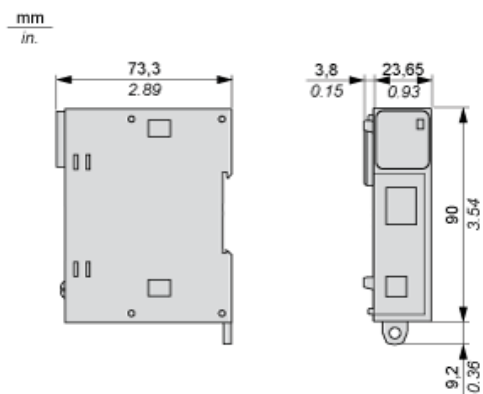
Unit Type of Package 1	PCE
Package 1 Height	2.95 in (7.5 cm)
Package 1 width	4.92 in (12.5 cm)
Package 1 Length	4.13 in (10.5 cm)
Unit Type of Package 2	S03
Number of Units in Package 2	8
Package 2 Weight	3.93 lb(US) (1.783 kg)
Package 2 Height	11.81 in (30 cm)
Package 2 width	11.81 in (30 cm)
Package 2 Length	15.75 in (40 cm)

Offer Sustainability

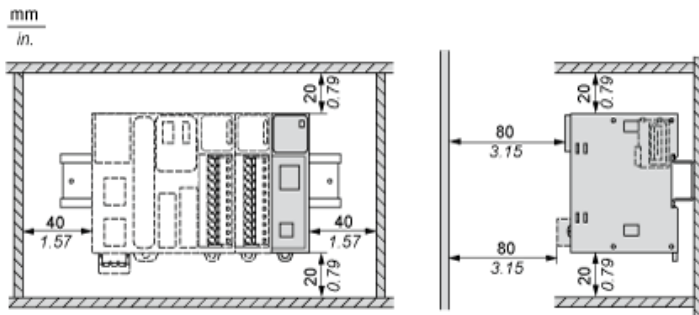
Sustainable offer status	Green Premium product
California proposition 65	WARNING: This product can expose you to chemicals including: Lead and lead compounds, which is known to the State of California to cause cancer and birth defects or other reproductive harm. For more information go to www.P65Warnings.ca.gov
REACH Regulation	REACH Declaration
EU RoHS Directive	Pro-active compliance (Product out of EU RoHS legal scope) EU RoHS Declaration
Mercury free	Yes
RoHS exemption information	Yes
China RoHS Regulation	China RoHS Declaration

Environmental Disclosure	Product Environmental Profile
Circularity Profile	End Of Life Information
WEEE	The product must be disposed on European Union markets following specific waste collection and never end up in rubbish bins.
PVC free	Yes

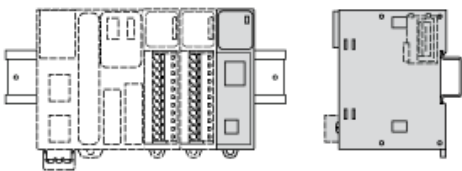
Dimensions



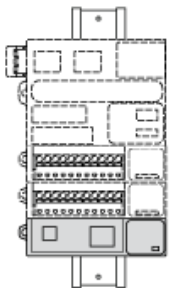
Spacing Requirements



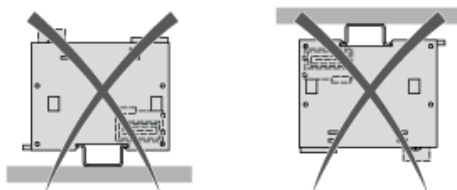
Mounting on a Rail



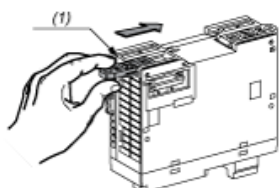
Vertical Mounting



Incorrect Mounting



Mounting on a Panel Surface



(1) Install a mounting strip

Mounting Hole Layout

