



Main

Range of Product	Harmony Modular iPC
Product or Component Type	Flat screen
Terminal type	Touchscreen display

Complementary

Device mounting	Flush
Local signalling	Status LED
View angle horizontal x vertical	150 x 140°
Contrast Ratio	500:1
Pixel resolution	1366 x 768
Touchscreen resolution	4096 x 4096
Function Available	Operate with water on screen
[Us] rated supply voltage	24 V DC power supply 100...240 V AC power supply 47...63 Hz
Supply voltage limits	18...36 V DC
Power Consumption in W	48.1 W typical)Box PC HMIBMP 63.28 W maximum)Box PC HMIBMP 43.1 W typical)Box PC HMIBMU 58.28 W maximum)Box PC HMIBMU
Display size	18.5 inch
Aspect ratio	4:3
Display type	Colour TFT LCD LED
Display Resolution	1366 x 768 pixels WHD FWXGA
Display colour	16777216 colors
Luminance	27.87 fc (300 cd/m ²)
Backlight lifespan	50000 hours 77 °F (25 °C)
Touch panel	Multi-touch projected capacitive technology (PCT)
Type of Installation	Indoor installation
Inrush current	8.9 A
Width	19.22 in (488.3 mm)
Height	12.17 in (309 mm)
Depth	Enclosure 1.10 in (28 mm) 0.28 in (7 mm)
Net Weight	11.46 lb(US) (5.2 kg)

Environment

IP degree of protection	IP66
NEMA degree of protection	NEMA 4X
Standards	UL 60950 CSA C22.2 No. 60950
Product Certifications	EAC C-tick CCC
Ambient air temperature for operation	32...131 °F (0...55 °C)
Ambient air temperature for storage	-22...158 °F (-30...70 °C)
Pollution degree	2
Relative Humidity	10...95 % non-condensing
Operating altitude	6561.68 ft (2000 m)
Vibration resistance	1 gn 5...500 Hz) HDD 2 gn 5...500 Hz) SSD 2 gn 5...500 Hz) Cfast card




Ordering and shipping details

Category	22574-MAGELIS BOX PC AND PANEL PC
Discount Schedule	MC2
GTIN	3606480853685
Nbr. of units in pkg.	1
Package weight(Lbs)	11.46 lb(US) (5.2 kg)
Returnability	No
Country of origin	US

Packing Units

Unit Type of Package 1	PCE
Package 1 Height	9.25 in (23.5 cm)
Package 1 width	24.21 in (61.5 cm)
Package 1 Length	29.21 in (74.2 cm)
Unit Type of Package 2	CAR
Number of Units in Package 2	1
Package 2 Weight	17.20 lb(US) (7.8 kg)
Package 2 Height	23.03 in (58.5 cm)
Package 2 width	8.66 in (22 cm)
Package 2 Length	28.74 in (73 cm)
Unit Type of Package 3	P12
Number of Units in Package 3	10
Package 3 Weight	176.37 lb(US) (80.0 kg)
Package 3 Height	30.31 in (77 cm)
Package 3 width	31.50 in (80 cm)
Package 3 Length	47.24 in (120 cm)

Offer Sustainability

California proposition 65	WARNING: This product can expose you to chemicals including: Lead and lead compounds, which is known to the State of California to cause cancer and birth defects or other reproductive harm. For more information go to www.P65Warnings.ca.gov
REACH Regulation	 REACH Declaration
REACH free of SVHC	Yes
EU RoHS Directive	Pro-active compliance (Product out of EU RoHS legal scope)  EU RoHS Declaration
Mercury free	Yes
RoHS exemption information	 Yes

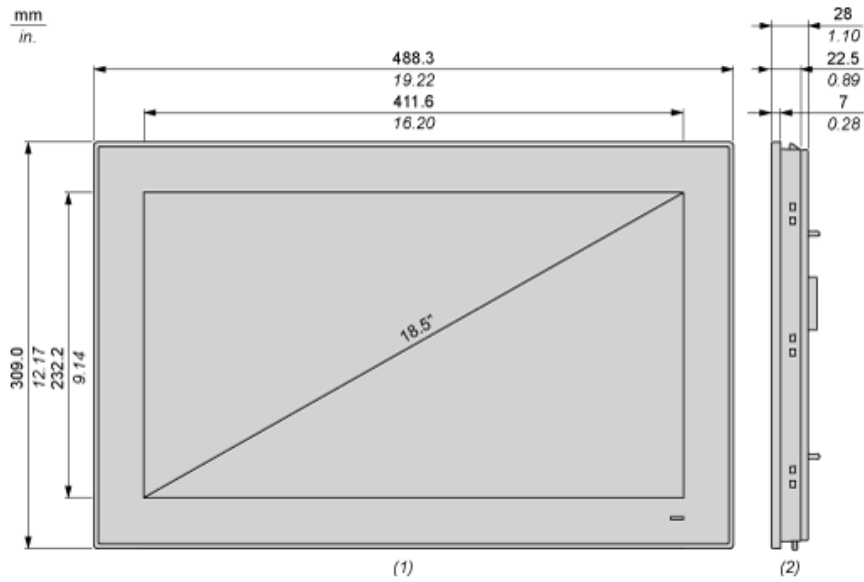
China RoHS Regulation

 [China RoHS Declaration](#)

WEEE

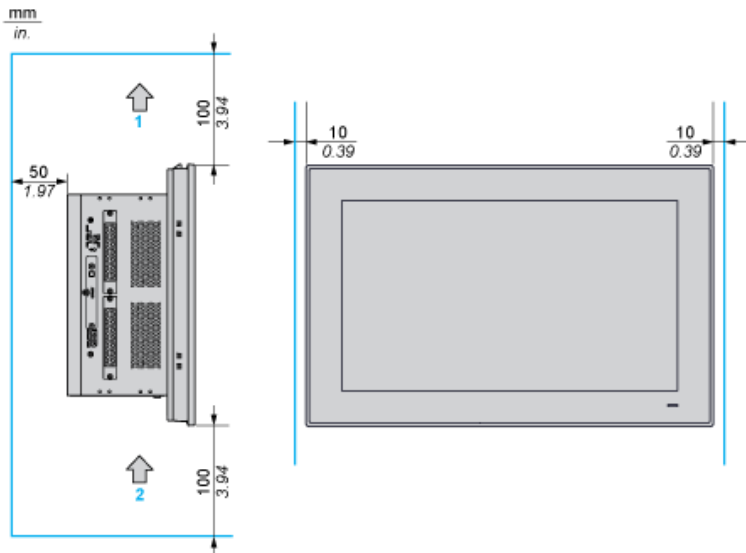
The product must be disposed on European Union markets following specific waste collection and never end up in rubbish bins.

Dimensions



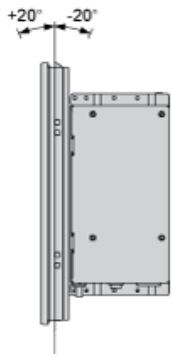
- (1) Front view
- (2) Right view

Spacing Requirements

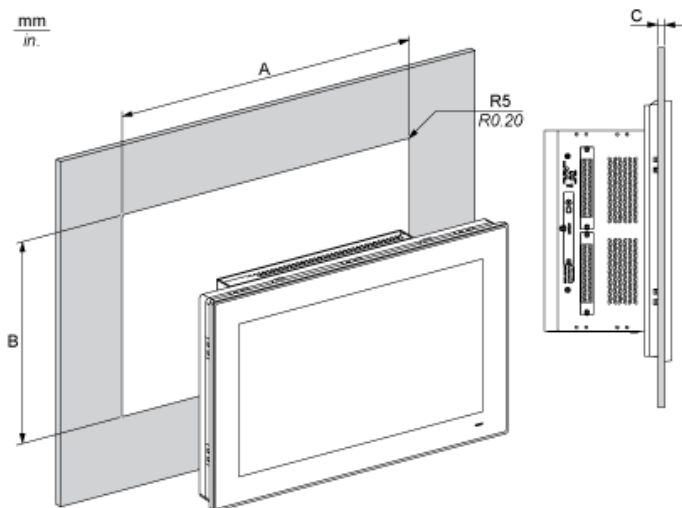


- 1 : Air out
- 2 : Air in

Mounting Orientation



Panel Cut Dimensions



A		B		C		R	
mm	in.	mm	in.	mm	in.	mm	in.
479.3	18.87	300.3	11.82	2...6	0.08...0.23	5	0.20