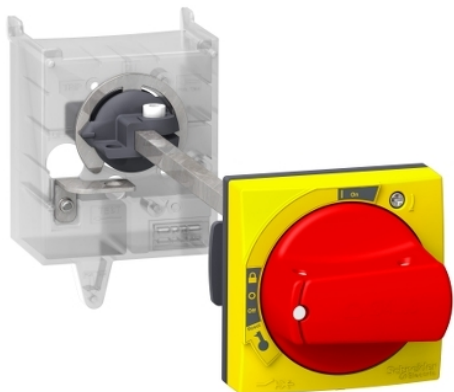


# GV3APN04

Extended rotary handle kit, TeSys Deca, IP65, red handle, without trip indication, for GV3L-GV3P



## Main

Range	TeSys TeSys Deca
Device short name	GV3AP
Product or Component Type	Rotary handle kit
Accessory / separate part category	Control accessory
Handle colour	Red
Handle front plate colour	Yellow

## Complementary

Product Compatibility	GV3P GV3L
Rotary handle padlocking	Padlock in OFF position
Rotary handle mounting style	Extended
Locking options description	1 to 3 padlocks
Back/door distance	7.44...11.81 in (189...300 mm)
Net Weight	0.66 lb(US) (0.3 kg)

## Environment

IP degree of protection	IP65
-------------------------	------

## Ordering and shipping details

Category	22367-MANUAL STR PROTECTOR - GV2
Discount Schedule	I11
GTIN	3606480313523
Nbr. of units in pkg.	1
Package weight(Lbs)	0.84 lb(US) (0.38 kg)
Returnability	Yes
Country of origin	CZ

## Packing Units

Package 1 Height	0.065 dm
Package 1 width	0.370 dm
Package 1 Length	0.090 dm

The information provided in this documentation contains general descriptions and/or technical characteristics of the performance of the products contained herein. This documentation is not intended as a substitute for and is not to be used for determining suitability or reliability of these products for specific user applications. It is the duty of any such user or integrator to perform the appropriate and complete risk analysis, evaluation and testing of the products with respect to the relevant specific application or use thereof. Neither Schneider Electric Industries SAS nor any of its affiliates or subsidiaries shall be responsible or liable for misuse of the information contained herein.

## Offer Sustainability

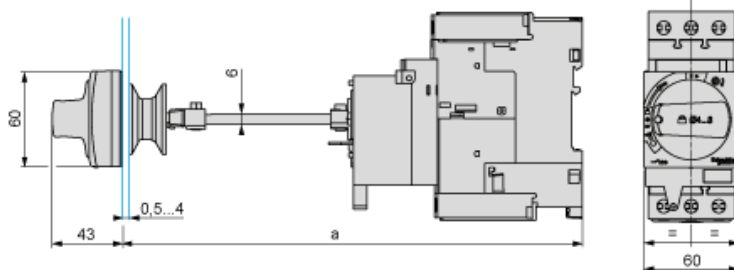
Sustainable offer status	Green Premium product
California proposition 65	WARNING: This product can expose you to chemicals including: Antimony oxide & Antimony trioxide, which is known to the State of California to cause cancer. For more information go to <a href="http://www.P65Warnings.ca.gov">www.P65Warnings.ca.gov</a>
REACH Regulation	<a href="#">REACH Declaration</a>
EU RoHS Directive	Compliant <a href="#">EU RoHS Declaration</a>
Mercury free	Yes
RoHS exemption information	<a href="#">Yes</a>
China RoHS Regulation	<a href="#">China RoHS Declaration</a>
Environmental Disclosure	<a href="#">Product Environmental Profile</a>
Circularity Profile	<a href="#">End Of Life Information</a>
WEEE	The product must be disposed on European Union markets following specific waste collection and never end up in rubbish bins.

## Contractual warranty

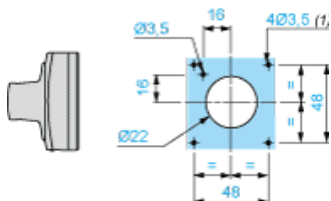
Warranty	18 months
----------	-----------

Mounting

Mounting of External Operator GV3APN01, GV3APN02 or GV3APN04 for Motor Circuit Breakers GV3L

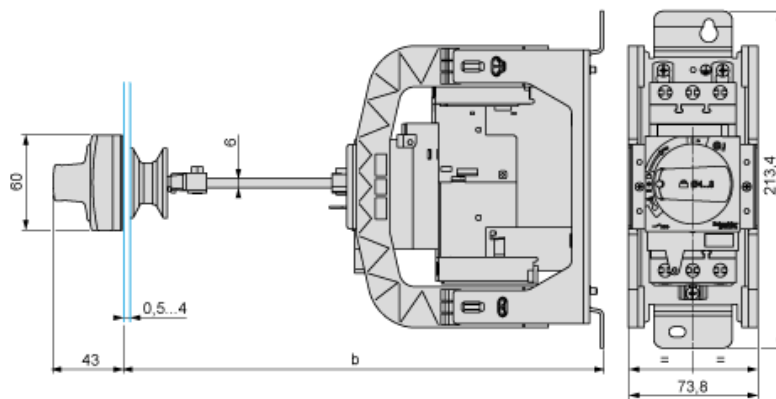


Door cut-out



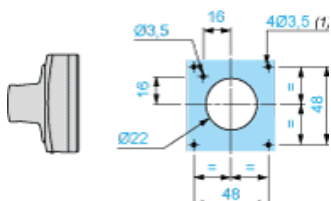
(1) For IP65 only.

Mounting of External Operator GVAPH03 for Motor Circuit Breakers GV3L



	b	
	Minimum	Maximum
GV3APN.. + GVAPH03	200	300
GV3APN.. + GVAPH03 + GVAPK12	300	492

Door cut-out



(1) For IP65 only.