



## Main

|                              |  |
|------------------------------|--|
| Range of Product             | Altistart 48   |
| Product or Component Type    | Soft starter   |
| Product destination          | Asynchronous motors  |
| Product Specific Application | Heavy duty industry and pumps  |
| Device short name            | ATS48  |
| Utilisation category         | AC-53A   |
| Ue power supply voltage      | 208...690 V - 15...10 %  |
| Power supply frequency       | 50...60 Hz - 5...5 %   |
| Motor power kW               | 15 KW 230 V for severe applications<br>30 KW 400 V for severe applications<br>30 KW 440 V for severe applications<br>37 KW 400 V for standard applications<br>37 KW 440 V for standard applications<br>37 KW 500 V for severe applications<br>37 KW 525 V for severe applications<br>45 KW 500 V for standard applications<br>45 KW 525 V for standard applications<br>45 KW 660 V for severe applications<br>45 KW 690 V for severe applications<br>55 KW 660 V for standard applications<br>55 KW 690 V for standard applications<br>18.5 kW 230 V for standard applications |
| Maximum Horse Power Rating   | 15 Hp 208 V for severe applications<br>20 Hp 208 V for standard applications<br>20 Hp 230 V for severe applications<br>25 Hp 230 V for standard applications<br>40 Hp 460 V for severe applications<br>50 Hp 460 V for standard applications<br>50 Hp 575 V for severe applications<br>60 hp 575 V for standard applications   |

## Complementary

|                           |  |
|---------------------------|--|
| Device connection         | In the motor supply line   |
| Protection type           | Phase failure line<br>Thermal protection motor<br>Thermal protection starter |
| Standards                 | EN/IEC 60947-4-2   |
| Product Certifications    | SEPRO<br>TCF<br>CCC<br>CSA<br>UL<br>C-tick<br>NOM 117<br>DNV<br>GOST         |
| Marking                   | CE   |
| Discrete input number     | 5  |
| Discrete input type       | PTC, 750 Ohm 77 °F (25 °C)<br>Stop, Run, LI3, LI4) logic, <= 8 mA 4300 Ohm   |
| Discrete input logic      | Positive logic Stop, Run, LI3, LI4 < 5 V <= 2 mA > 11 V, >= 5 mA             |
| Minimum switching current | 10 mA 6 V DC relay outputs   |
| Discrete output number    | 2  |

|                             |  |
|-----------------------------|--|
| Discrete output type        | LO1) logic output 0 V common configurable<br>LO2) logic output 0 V common configurable<br>R1) relay outputs fault relay NO<br>R2) relay outputs end of starting relay NO<br>R3) relay outputs motor powered NO |
| Analogue output type        | Current output AO 0-20 mA or 4-20 mA 500 Ohm   |
| Communication port protocol | Modbus   |
| Connector Type              | 1 RJ45   |
| Communication data link     | Serial   |
| Physical interface          | RS485 multidrop  |
| Transmission Rate           | 4800, 9600 or 19200 bps  |
| Function Available          | External bypass (optional)   |
| Operating position          | Vertical +/- 10 degree   |
| Height                      | 11.42 in (290 mm)  |
| Width                       | 7.48 in (190 mm)   |
| Depth                       | 9.25 in (235 mm)   |
| Net Weight                  | 18.30 lb(US) (8.3 kg)  |

## Environment

|                                       |  |
|---------------------------------------|--|
| Electromagnetic compatibility         | Conducted and radiated emissions level A IEC 60947-4-2<br>Conducted and radiated emissions level B IEC 60947-4-2<br>Damped oscillating waves level 3 IEC 61000-4-12<br>Electrostatic discharge level 3 IEC 61000-4-2<br>Immunity to electrical transients level 4 IEC 61000-4-4<br>Immunity to radiated radio-electrical interference level 3 IEC 61000-4-3<br>Voltage/current impulse level 3 IEC 61000-4-5 |
| Relative humidity                     | 0...95 % without condensation or dripping water EN/IEC 60068-2-3   |
| Ambient air temperature for operation | 104...140 °F (40...60 °C) with current derating of 2 % per °C)<br>14...104 °F (-10...40 °C) without derating)  |
| Ambient Air Temperature for Storage   | -13...158 °F (-25...70 °C)   |
| Operating altitude                    | <= 3280.84 ft (1000 m) without derating<br>> 3280.84...6561.68 ft (> 1000...2000 m) with current derating of 2.2 % per additional 100 m  |



## Ordering and shipping details

|                       |                            |
|-----------------------|----------------------------|
| Category              | 22579-OPEN ATS48 ALTISTART |
| Discount Schedule     | CP1G                       |
| GTIN                  | 3389110982305              |
| Nbr. of units in pkg. | 1                          |
| Package weight(Lbs)   | 23.47 lb(US) (10.646 kg)   |
| Returnability         | Yes                        |
| Country of origin     | ID                         |

## Packing Units

|                        |                    |
|------------------------|--------------------|
| Unit Type of Package 1 | PCE                |
| Package 1 Height       | 12.01 in (30.5 cm) |
| Package 1 width        | 14.37 in (36.5 cm) |
| Package 1 Length       | 15.75 in (40 cm)   |

## Offer Sustainability

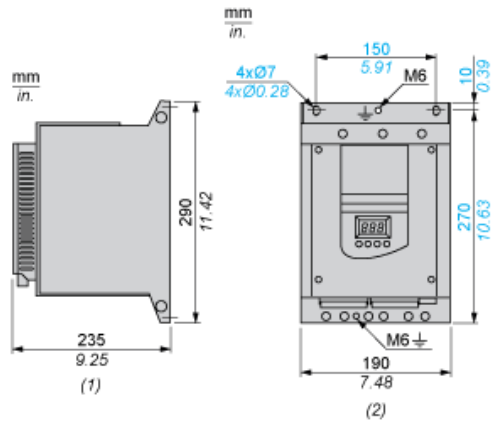
|                           |   |
|---------------------------|---|
| Sustainable offer status  | Green Premium product   |
| California proposition 65 | WARNING: This product can expose you to chemicals including: Lead and lead compounds, which is known to the State of California to cause cancer and birth defects or other reproductive harm. For more information go to <a href="http://www.P65Warnings.ca.gov">www.P65Warnings.ca.gov</a> |
| REACH Regulation          |  <a href="#">REACH Declaration</a>   |
| EU RoHS Directive         | Pro-active compliance (Product out of EU RoHS legal scope)  <a href="#">EU RoHS Declaration</a>  |
| Mercury free              | Yes   |

|                            |  |
|----------------------------|--|
| RoHS exemption information | <a href="#">Yes</a>  |
| China RoHS Regulation      | <a href="#">China RoHS Declaration</a>   |
| Environmental Disclosure   | <a href="#">Product Environmental Profile</a>  |
| Circularity Profile        | <a href="#">End Of Life Information</a>  |
| WEEE                       | The product must be disposed on European Union markets following specific waste collection and never end up in rubbish bins. |

### Contractual warranty

|          |           |
|----------|-----------|
| Warranty | 18 months |
|----------|-----------|

Dimensions



- (1) Right View
- (2) Front View

Clearance

