



Main

Range of Product	Altistart 48
Product or Component Type	Soft starter
Product destination	Asynchronous motors
Product Specific Application	Heavy duty industry and pumps
Device short name	ATS48
Utilisation category	AC-53A
Ue power supply voltage	208...690 V - 15...10 %
Power supply frequency	50...60 Hz - 5...5 %
Motor power kW	11 KW 400 V for standard applications 11 KW 440 V for standard applications 11 KW 500 V for standard applications 11 KW 525 V for standard applications 11 KW 660 V for severe applications 15 KW 660 V for standard applications 15 KW 690 V for severe applications 4 KW 230 V for severe applications 9 KW 500 V for severe applications 9 KW 525 V for severe applications 7.5 KW 400 V for severe applications 7.5 KW 440 V for severe applications 18.5 KW 690 V for standard applications 5.5 kW 230 V for standard applications
Maximum Horse Power Rating	10 Hp 460 V for severe applications 15 Hp 460 V for standard applications 15 Hp 575 V for severe applications 20 Hp 575 V for standard applications 3 Hp 208 V for severe applications 5 Hp 208 V for standard applications 5 Hp 230 V for severe applications 7.5 hp 230 V for standard applications

Complementary

Device connection	In the motor supply line
Protection type	Phase failure line Thermal protection motor Thermal protection starter
Standards	EN/IEC 60947-4-2
Product Certifications	CSA SEPRO UL GOST NOM 117 TCF CCC C-tick DNV
Marking	CE
Discrete input number	5
Discrete input type	PTC, 750 Ohm 77 °F (25 °C) Stop, Run, LI3, LI4) logic, <= 8 mA 4300 Ohm
Discrete input logic	Positive logic Stop, Run, LI3, LI4 < 5 V <= 2 mA > 11 V, >= 5 mA
Minimum switching current	10 mA 6 V DC relay outputs
Discrete output number	2

Discrete output type	LO1) logic output 0 V common configurable LO2) logic output 0 V common configurable R1) relay outputs fault relay NO R2) relay outputs end of starting relay NO R3) relay outputs motor powered NO
Analogue output type	Current output AO 0-20 mA or 4-20 mA 500 Ohm
Communication port protocol	Modbus
Connector Type	1 RJ45
Communication data link	Serial
Physical interface	RS485 multidrop
Transmission Rate	4800, 9600 or 19200 bps
Function Available	External bypass (optional)
Operating position	Vertical +/- 10 degree
Height	10.83 in (275 mm)
Width	6.30 in (160 mm)
Depth	7.48 in (190 mm)
Net Weight	10.80 lb(US) (4.9 kg)

Environment

Electromagnetic compatibility	Conducted and radiated emissions level A IEC 60947-4-2 Conducted and radiated emissions level B IEC 60947-4-2 Damped oscillating waves level 3 IEC 61000-4-12 Electrostatic discharge level 3 IEC 61000-4-2 Immunity to electrical transients level 4 IEC 61000-4-4 Immunity to radiated radio-electrical interference level 3 IEC 61000-4-3 Voltage/current impulse level 3 IEC 61000-4-5
Relative humidity	0...95 % without condensation or dripping water EN/IEC 60068-2-3
Ambient air temperature for operation	104...140 °F (40...60 °C) with current derating of 2 % per °C) 14...104 °F (-10...40 °C) without derating)
Ambient Air Temperature for Storage	-13...158 °F (-25...70 °C)
Operating altitude	<= 3280.84 ft (1000 m) without derating > 3280.84...6561.68 ft (> 1000...2000 m) with current derating of 2.2 % per additional 100 m

Ordering and shipping details

Category	22579-OPEN ATS48 ALTISTART
Discount Schedule	CP1G
GTIN	3389110982213
Nbr. of units in pkg.	1
Package weight(Lbs)	13.34 lb(US) (6.053 kg)
Returnability	Yes
Country of origin	ID

Packing Units

Unit Type of Package 1	PCE
Package 1 Height	11.42 in (29 cm)
Package 1 width	10.24 in (26 cm)
Package 1 Length	14.57 in (37 cm)
Unit Type of Package 2	P06
Number of Units in Package 2	6
Package 2 Weight	100.69 lb(US) (45.67 kg)
Package 2 Height	30.31 in (77 cm)
Package 2 width	31.50 in (80 cm)
Package 2 Length	23.62 in (60 cm)

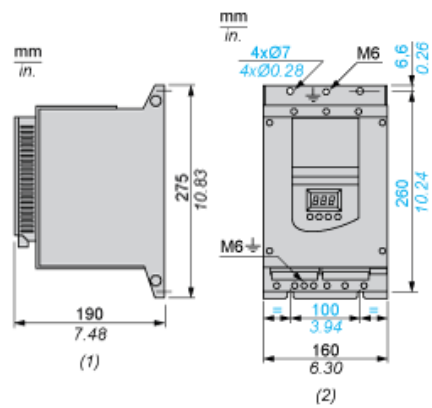
Offer Sustainability

Sustainable offer status	Green Premium product
California proposition 65	WARNING: This product can expose you to chemicals including: Lead and lead compounds, which is known to the State of California to cause cancer and birth defects or other reproductive harm. For more information go to www.P65Warnings.ca.gov
REACH Regulation	REACH Declaration
EU RoHS Directive	Pro-active compliance (Product out of EU RoHS legal scope) EU RoHS Declaration
Mercury free	Yes
RoHS exemption information	Yes
China RoHS Regulation	China RoHS Declaration
Environmental Disclosure	Product Environmental Profile
Circularity Profile	End Of Life Information
WEEE	The product must be disposed on European Union markets following specific waste collection and never end up in rubbish bins.

Contractual warranty

Warranty	18 months
----------	-----------

Dimensions



(1) Right View

(2) Front View

Clearance

