



## Main

Range of Product	Altistart 48
Product or Component Type	Soft starter
Product destination	Asynchronous motors
Product Specific Application	Heavy duty industry and pumps
Device short name	ATS48
Utilisation category	AC-53A
Ue power supply voltage	208...690 V - 15...10 %
Power supply frequency	50...60 Hz - 5...5 %
Motor power kW	110 KW 400 V for standard applications 110 KW 440 V for standard applications 110 KW 500 V for severe applications 110 KW 525 V for severe applications 132 KW 500 V for standard applications 132 KW 525 V for standard applications 132 KW 660 V for severe applications 160 KW 660 V for standard applications 160 KW 690 V for severe applications 200 KW 690 V for standard applications 45 KW 230 V for severe applications 55 KW 230 V for standard applications 90 KW 400 V for severe applications 90 KW 440 V for severe applications
Maximum Horse Power Rating	125 Hp 460 V for severe applications 150 Hp 460 V for standard applications 150 Hp 575 V for severe applications 200 Hp 575 V for standard applications 50 Hp 208 V for severe applications 60 Hp 208 V for standard applications 60 Hp 230 V for severe applications 75 hp 230 V for standard applications

## Complementary

Device connection	In the motor supply line
Protection type	Phase failure line Thermal protection motor Thermal protection starter
Standards	EN/IEC 60947-4-2
Product Certifications	DNV GOST SEPRO TCF UL CCC NOM 117 C-tick CSA
Marking	CE
Discrete input number	5
Discrete input type	PTC, 750 Ohm 77 °F (25 °C) Stop, Run, LI3, LI4) logic, <= 8 mA 4300 Ohm
Discrete input logic	Positive logic Stop, Run, LI3, LI4 < 5 V <= 2 mA > 11 V, >= 5 mA
Minimum switching current	10 mA 6 V DC relay outputs
Discrete output number	2

The information provided in this documentation contains general descriptions and/or technical characteristics of the performance of the products contained herein. This documentation is not intended as a substitute for and is not to be used for determining suitability or reliability of these products for specific user applications. It is the duty of any such user or integrator to perform the appropriate and complete risk analysis, evaluation and testing of the products with respect to the relevant specific application or use thereof. Neither Schneider Electric Industries SAS nor any of its affiliates or subsidiaries shall be responsible or liable for misuse of the information contained herein.

Discrete output type	LO1) logic output 0 V common configurable LO2) logic output 0 V common configurable R1) relay outputs fault relay NO R2) relay outputs end of starting relay NO R3) relay outputs motor powered NO
Analogue output type	Current output AO 0-20 mA or 4-20 mA 500 Ohm
Communication port protocol	Modbus
Connector Type	1 RJ45
Communication data link	Serial
Physical interface	RS485 multidrop
Transmission Rate	4800, 9600 or 19200 bps
Function Available	External bypass (optional)
Operating position	Vertical +/- 10 degree
Height	14.96 in (380 mm)
Width	12.60 in (320 mm)
Depth	10.43 in (265 mm)
Net Weight	40.12 lb(US) (18.2 kg)

## Environment

Electromagnetic compatibility	Conducted and radiated emissions level A IEC 60947-4-2 Damped oscillating waves level 3 IEC 61000-4-12 Electrostatic discharge level 3 IEC 61000-4-2 Immunity to electrical transients level 4 IEC 61000-4-4 Immunity to radiated radio-electrical interference level 3 IEC 61000-4-3 Voltage/current impulse level 3 IEC 61000-4-5
Relative humidity	0...95 % without condensation or dripping water EN/IEC 60068-2-3
Ambient air temperature for operation	104...140 °F (40...60 °C) with current derating of 2 % per °C) 14...104 °F (-10...40 °C) without derating)
Ambient Air Temperature for Storage	-13...158 °F (-25...70 °C)
Operating altitude	<= 3280.84 ft (1000 m) without derating > 3280.84...6561.68 ft (> 1000...2000 m) with current derating of 2.2 % per additional 100 m

## Ordering and shipping details

Category	22579-OPEN ATS48 ALTISTART
Discount Schedule	CP1G
GTIN	3389110982404
Nbr. of units in pkg.	1
Package weight(Lbs)	50.71 lb(US) (23.0 kg)
Returnability	Yes
Country of origin	ID

## Packing Units

Unit Type of Package 1	PCE
Package 1 Height	16.93 in (43 cm)
Package 1 width	18.11 in (46 cm)
Package 1 Length	20.08 in (51 cm)
Unit Type of Package 2	S06
Number of Units in Package 2	1
Package 2 Weight	79.37 lb(US) (36.0 kg)
Package 2 Height	29.53 in (75 cm)
Package 2 width	23.62 in (60 cm)
Package 2 Length	31.50 in (80 cm)

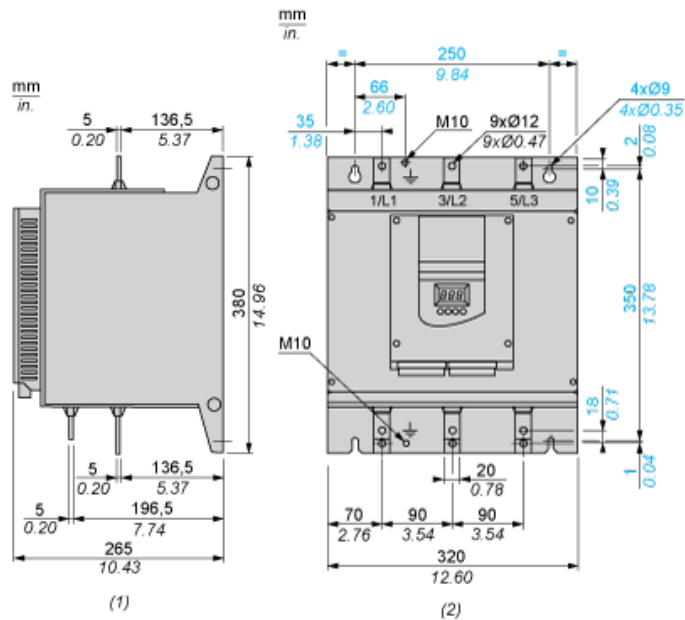
## Offer Sustainability

Sustainable offer status	Green Premium product
California proposition 65	WARNING: This product can expose you to chemicals including: Lead and lead compounds, which is known to the State of California to cause cancer and birth defects or other reproductive harm. For more information go to <a href="http://www.P65Warnings.ca.gov">www.P65Warnings.ca.gov</a>
REACH Regulation	<a href="#">REACH Declaration</a>
EU RoHS Directive	Pro-active compliance (Product out of EU RoHS legal scope) <a href="#">EU RoHS Declaration</a>
Mercury free	Yes
RoHS exemption information	<a href="#">Yes</a>
China RoHS Regulation	<a href="#">China RoHS Declaration</a>
Environmental Disclosure	<a href="#">Product Environmental Profile</a>
Circularity Profile	<a href="#">End Of Life Information</a>
WEEE	The product must be disposed on European Union markets following specific waste collection and never end up in rubbish bins.

## Contractual warranty

Warranty	18 months
----------	-----------

Dimensions



(1) Right View

(2) Front View

Clearance

