



### Main

|                           |                          |
|---------------------------|--------------------------|
| Range of Product          | Harmony 9001K            |
| Product or Component Type | Head for selector switch |
| Device short name         | 9001K                    |
| Type of operator          | Stay put                 |
| Operator profile          | Black long handle        |

### Complementary

|                               |                        |
|-------------------------------|------------------------|
| Bezel material                | Metal                  |
| Mounting diameter             | 1.18 in (30 mm)        |
| Net Weight                    | 0.38 lb(US) (0.172 kg) |
| Shape of signaling unit head  | Octagonal              |
| Operator position information | 2 positions            |
| Contacts type and composition | Without contact block  |
| Mechanical durability         | 500000 cycles          |
| Product compatibility         | 9001KA2 side 1 or 2    |
| Device presentation           | Basic element          |

### Environment

|                                       |  |
|---------------------------------------|--|
| Protective treatment                  | TC   |
| Ambient Air Temperature for Storage   | -40...158 °F (-40...70 °C)   |
| Ambient Air Temperature for Operation | -13...158 °F (-25...70 °C)   |
| Overtoltage category                  | Class II IEC 61140   |
| IP degree of protection               | IP66 IEC 60529   |
| NEMA degree of protection             | NEMA 1<br>NEMA 12<br>NEMA 13<br>NEMA 2<br>NEMA 3<br>NEMA 3R<br>NEMA 4  |
| Standards                             | CSA C22.2 No 14<br>EN/IEC 60947-5-4<br>JIS C 852<br>EN/IEC 60947-5-1<br>EN/IEC 60947-1<br>JIS C 4520<br>UL 508 |
| Product Certifications                | NEMA<br>UL 508   |
| Vibration resistance                  | 7 gn 2...500 Hz)IEC 60068-2-6  |
| Shock resistance                      | 50 gn IEC 60068-2-27   |

The information provided in this documentation contains general descriptions and/or technical characteristics of the performance of the products contained herein. This documentation is not intended as a substitute for and is not to be used for determining suitability or reliability of these products for specific user applications. It is the duty of any such user or integrator to perform the appropriate and complete risk analysis, evaluation and testing of the products with respect to the relevant specific application or use thereof. Neither Schneider Electric Industries SAS nor any of its affiliates or subsidiaries shall be responsible or liable for misuse of the information contained herein.

## Ordering and shipping details

|                       |                             |
|-----------------------|-----------------------------|
| Category              | 21426-9001 K (NOT KA,KM,KX) |
| Discount Schedule     | CS1                         |
| GTIN                  | 3389118039902               |
| Nbr. of units in pkg. | 1                           |
| Package weight(Lbs)   | 4.44 oz (126.0 g)           |
| Returnability         | Yes                         |
| Country of origin     | MX                          |

## Packing Units

|                              |                        |
|------------------------------|------------------------|
| Unit Type of Package 1       | PCE                    |
| Package 1 Height             | 1.97 in (5 cm)         |
| Package 1 width              | 2.20 in (5.6 cm)       |
| Package 1 Length             | 3.66 in (9.3 cm)       |
| Unit Type of Package 2       | S01                    |
| Number of Units in Package 2 | 24                     |
| Package 2 Weight             | 7.05 lb(US) (3.198 kg) |
| Package 2 Height             | 5.91 in (15 cm)        |
| Package 2 width              | 5.91 in (15 cm)        |
| Package 2 Length             | 15.75 in (40 cm)       |

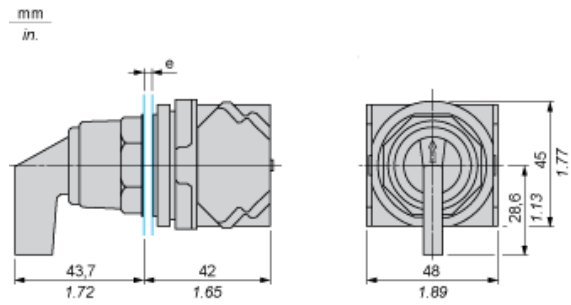
## Offer Sustainability

|                            |  |
|----------------------------|--|
| Sustainable offer status   | Green Premium product  |
| California proposition 65  | WARNING: This product can expose you to chemicals including: Nickel compounds, which is known to the State of California to cause cancer, and Di-isodecyl phthalate (DIDP), which is known to the State of California to cause birth defects or other reproductive harm. For more information go to <a href="http://www.P65Warnings.ca.gov">www.P65Warnings.ca.gov</a> |
| REACH Regulation           | <a href="#">REACH Declaration</a>  |
| EU RoHS Directive          | Pro-active compliance (Product out of EU RoHS legal scope) <a href="#">EU RoHS Declaration</a>   |
| Mercury free               | Yes  |
| RoHS exemption information | <a href="#">Yes</a>  |
| China RoHS Regulation      | <a href="#">China RoHS Declaration</a>   |
| Environmental Disclosure   | <a href="#">Product Environmental Profile</a>  |
| WEEE                       | The product must be disposed on European Union markets following specific waste collection and never end up in rubbish bins.   |

## Contractual warranty

|          |           |
|----------|-----------|
| Warranty | 18 months |
|----------|-----------|

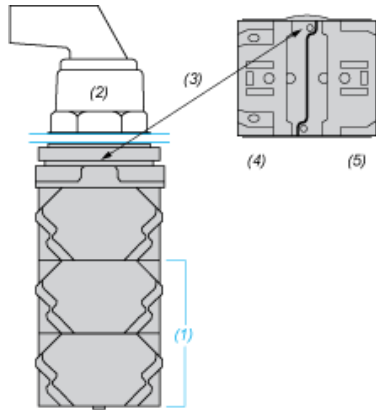
Dimensions



e panel thickness: 1 to 6 mm / 0.04 to 0.24 in.

Contact Block Mounting Position

Top and Rear views



- (1) It is possible to mount up to 3 levels of contacts blocks (maximum of 6 contacts blocks)
- (2) Operator
- (3) Locating notch
- (4) Side 1
- (5) Side 2

Panel Cut-Out

Clearance



| Legend plate | a min. |      | b min. |      |
|--------------|--------|------|--------|------|
|              | mm     | in.  | mm     | in.  |
| 9001KN2••    | 57.2   | 2.25 | 44.5   | 1.75 |
| 9001KN3••    | 57.2   | 2.25 | 50.8   | 2.00 |

Individual Cut-outs Details

2 alternatives

