



Main

Range of Product	Modicon Momentum automation platform
Product or Component Type	Analogue, discrete I/O base
Group of channels	1 group of 8 discrete outputs 2 groups of 4 discrete inputs 1 group of 6 analog inputs 1 group of 4 analog outputs
Analogue input range	+/- 10 V DC
Analogue Input Type	Single ended
Analogue input resolution	14 bits +/- 10 V
Discrete input voltage	24 V DC
Analogue output range	+/- 10 V 14 bits
Discrete output voltage	10...30 V
Output short-circuit protection	With discrete output
Output overload protection	With discrete output

Complementary

Discrete input number	8 IEC 1131-2 Type 2
[Us] rated supply voltage	24 V 19.2...30 V)DC
Maximum analogue input voltage	15 V
Input voltage limits	3...32 V
Discrete input logic	Positive
Voltage state 0 guaranteed	<= 5 V discrete input
Voltage state 1 guaranteed	>= 11 V discrete input
Current state 0 guaranteed	<= 2 mA discrete input)
Current state 1 guaranteed	>= 6 mA discrete input)
Input overvoltage protection	45 V 10 s discrete input
Input resistance	1 MOhm analogue input circuit
Output load	>= 2 kOhm +/- 10 V analogue output
Conversion time	0.75 Ms analogue input circuit 1.2 ms analogue output
Conversion error	+/- 0.4 % +/- 10 V 77 °F (25 °C) analogue output
Fail state	Analogue output hold Analogue output reset to zero
Discrete output type	Transistor
Discrete output logic	Positive
Discrete output current	2 A per group 2 A per module 0.25 A per point
Maximum leakage current	0.4 mA DC 30 V discrete output
Maximum voltage drop	<0.4 V 0.25 A at state on discrete output
Surge current	2.5 A 1 ms discrete output
Response time	1.05 ms from state 1 to state 0 discrete output 1.2 ms from state 0 to state 1 discrete input 1.2 ms from state 0 to state 1 discrete output 1.2 ms from state 1 to state 0 discrete input
Isolation voltage	500 V 1 min) between analogue I/O and operating voltage 500 V 1 min) between operating voltage and I/O from ground

The information provided in this documentation contains general descriptions and/or technical characteristics of the performance of the products contained herein. This documentation is not intended as a substitute for and is not to be used for determining suitability or reliability of these products for specific user applications. It is the duty of any such user or integrator to perform the appropriate and complete risk analysis, evaluation and testing of the products with respect to the relevant specific application or use thereof. Neither Schneider Electric Industries SAS nor any of its affiliates or subsidiaries shall be responsible or liable for misuse of the information contained herein.

Maximum power dissipation in W	6 W
Marking	CE
Local signalling	For channel status 8 LEDs
Electrical connection	2 connectors for removable terminal blocks
Current consumption	400 mA 24 V DC
Depth	1.87 in (47.5 mm)
Height	4.92 in (125 mm)
Width	5.57 in (141.5 mm)
Net Weight	0.53 lb(US) (0.24 kg)

Environment

Product Certifications	UL CSA
Protective treatment	TC
Resistance to electrostatic discharge	4 KV contact IEC 801-2 8 kV on air IEC 801-2
Resistance to electromagnetic fields	9.14 V/m (10 V/m) 80...1000 MHz IEC 801-3
Ambient Air Temperature for Operation	32...140 °F (0...60 °C)
Ambient Air Temperature for Storage	-40...185 °F (-40...85 °C)
Relative Humidity	95 % without condensation
Operating altitude	<= 16404.2 ft (5000 m)





Ordering and shipping details

Category	18206-MOMENTUM PROCESSORS,I/O BASES,CONN.
Discount Schedule	PC31
GTIN	3595862053402
Nbr. of units in pkg.	1
Package weight(Lbs)	13.69 oz (388.0 g)
Returnability	No
Country of origin	ID

Packing Units

Unit Type of Package 1	PCE
Package 1 Height	2.17 in (5.5 cm)
Package 1 width	7.09 in (18 cm)
Package 1 Length	10.24 in (26 cm)
Unit Type of Package 2	S03
Number of Units in Package 2	10
Package 2 Weight	8.55 lb(US) (3.88 kg)
Package 2 Height	11.81 in (30 cm)
Package 2 width	11.81 in (30 cm)
Package 2 Length	15.75 in (40 cm)

Offer Sustainability

Sustainable offer status	Green Premium product
California proposition 65	WARNING: This product can expose you to chemicals including: Lead and lead compounds, which is known to the State of California to cause cancer and birth defects or other reproductive harm. For more information go to www.P65Warnings.ca.gov
REACH Regulation	 REACH Declaration
EU RoHS Directive	Pro-active compliance (Product out of EU RoHS legal scope)  EU RoHS Declaration
Mercury free	Yes
RoHS exemption information	 Yes
China RoHS Regulation	 China RoHS Declaration

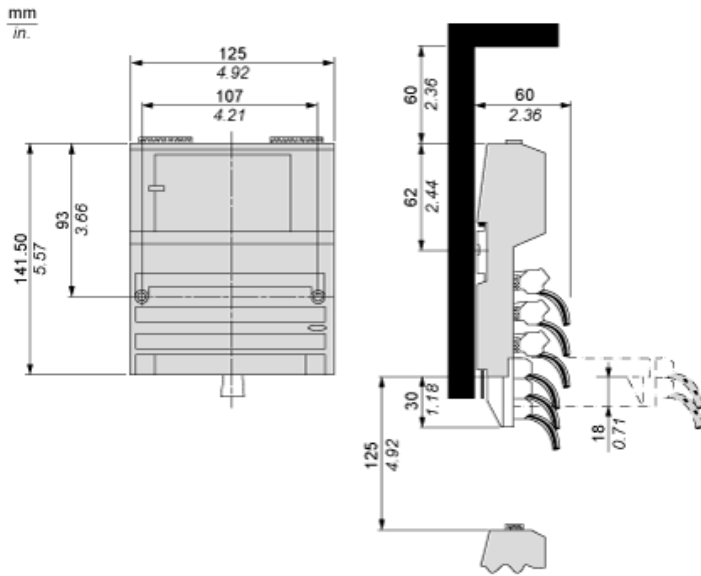
Environmental Disclosure	Product Environmental Profile
Circularity Profile	End Of Life Information
WEEE	The product must be disposed on European Union markets following specific waste collection and never end up in rubbish bins.

Contractual warranty

Warranty	18 months
----------	-----------

Standard Adapter on a Typical Base

Dimensions

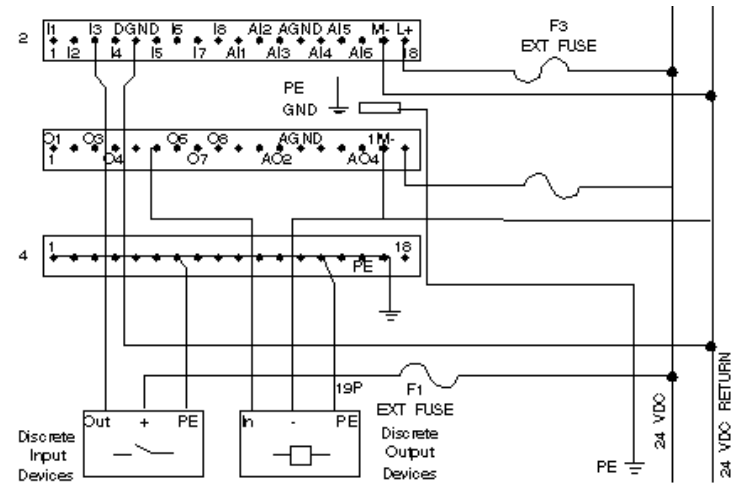


Mounting on a Wall



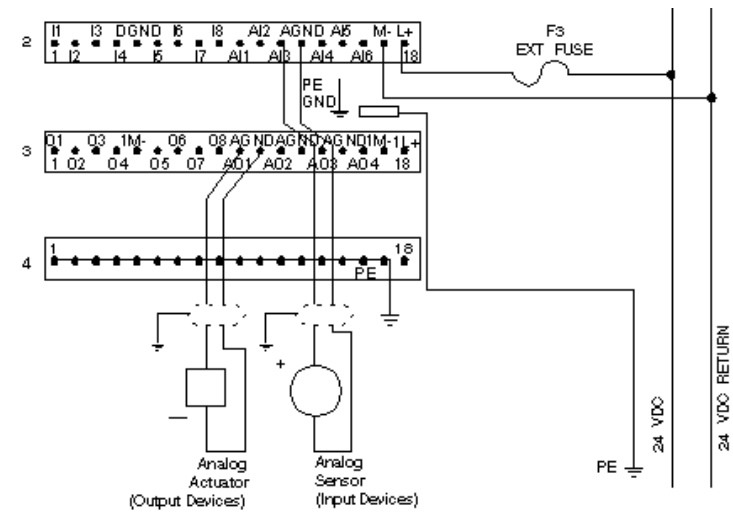
External Wiring Diagrams

Discrete I/O Devices



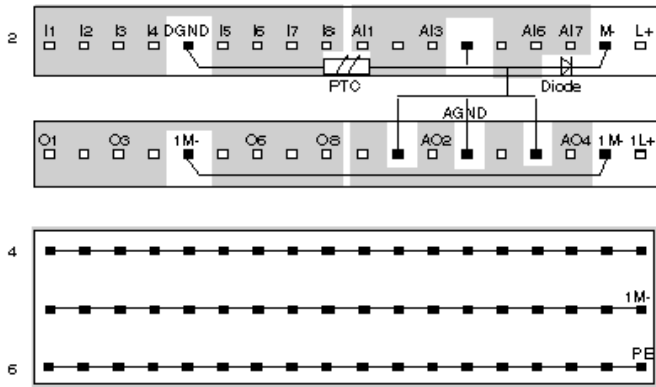
- F1, 1 A fuse
- F3
- F2 2.5 A fuse

Analog I/O Devices



- F3 1 A fuse

Internal Pin Connections



NOTE: AGND and DGND are connected at a single point inside the module. External digital inputs must be returned to the DGND terminal. External analog circuits must be returned to AGND terminals.