



Main

Range of Product	Modicon Momentum automation platform
Product or Component Type	Discrete output base AC
Group of channels	2 groups of 4 outputs
Discrete output number	8
Discrete output type	Triac
Discrete output voltage	120 V AC
Current per channel	2 A
Short-circuit protection	Internal fuse, 5 A slow-blow per group
Protective treatment	TC

Complementary

[Ue] rated operational voltage	120 V AC
Discrete output current	4 A per group 8 A per module
Minimum output current	5 mA
Maximum leakage current	1.9 mA 120 V AC
Surge current	10 A for 2 cycles 15 A for 1 cycle 5 A for 3 cycles
Maximum voltage drop	<1.5 V 2 A at state 1
Output overload protection	Internal fuse
Response time	1/2 x 1/f (= 0.5 of one line cycle) from state 0 to state 1 1/2 x 1/f (= 0.5 of one line cycle) from state 1 to state 0
Isolation between channels and bus	1780 V AC for 1 minute
Power dissipation	7.5 W maximum 6 W typical
Marking	CE
Local signalling	For channel status 8 LEDs
Current consumption	125 mA 120 V AC
Terminals description PLC n°1	(4)OUT_DIS#4 (2)OUT_DIS#2 (1)OUT_DIS#1 (3)OUT_DIS#3 (1L+)PW TB (5)OUT_DIS#5 (6)OUT_DIS#6 (1N)PW (7)OUT_DIS#7 (8)OUT_DIS#8
Depth	1.87 in (47.5 mm)
Height	5.57 in (141.5 mm)
Width	4.92 in (125 mm)
Net Weight	0.71 lb(US) (0.32 kg)

Environment

Product Certifications	CSA FM Class 1 Division 2 UL
Resistance to electrostatic discharge	4 KV contact IEC 801-2 8 kV on air IEC 801-2
Resistance to electromagnetic fields	9.14 V/m (10 V/m) 80...1000 MHz IEC 801-3
Ambient Air Temperature for Operation	32...140 °F (0...60 °C)
Ambient Air Temperature for Storage	-40...185 °F (-40...85 °C)
Relative Humidity	95 % without condensation
Operating altitude	<= 16404.2 ft (5000 m)

Ordering and shipping details

Category	18206-MOMENTUM PROCESSORS,I/O BASES,CONN.
Discount Schedule	PC31
GTIN	3595861147553
Nbr. of units in pkg.	1
Package weight(Lbs)	18.62 oz (528.0 g)
Returnability	No
Country of origin	ID

Packing Units

Unit Type of Package 1	PCE
Package 1 Height	3.54 in (9 cm)
Package 1 width	7.09 in (18 cm)
Package 1 Length	10.24 in (26 cm)
Unit Type of Package 2	PAL
Number of Units in Package 2	48
Package 2 Weight	55.87 lb(US) (25.344 kg)
Package 2 Height	23.62 in (60 cm)
Package 2 width	31.50 in (80 cm)
Package 2 Length	18.90 in (48 cm)
Unit Type of Package 3	S03
Number of Units in Package 3	6
Package 3 Weight	6.98 lb(US) (3.168 kg)
Package 3 Height	11.81 in (30 cm)
Package 3 width	11.81 in (30 cm)
Package 3 Length	15.75 in (40 cm)

Offer Sustainability

Sustainable offer status	Green Premium product
California proposition 65	WARNING: This product can expose you to chemicals including: Lead and lead compounds, which is known to the State of California to cause cancer and birth defects or other reproductive harm. For more information go to www.P65Warnings.ca.gov
REACH Regulation	REACH Declaration
EU RoHS Directive	Pro-active compliance (Product out of EU RoHS legal scope) EU RoHS Declaration
Mercury free	Yes
RoHS exemption information	Yes
China RoHS Regulation	China RoHS Declaration
Environmental Disclosure	Product Environmental Profile

Circularity Profile

 [End Of Life Information](#)

WEEE

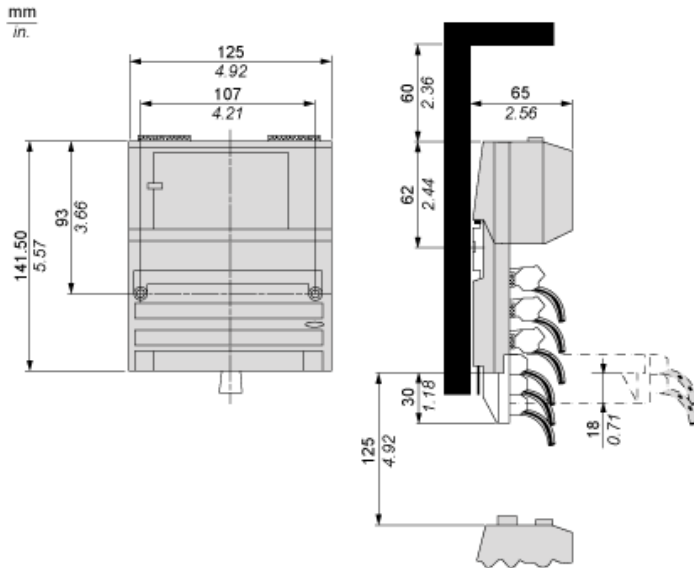
The product must be disposed on European Union markets following specific waste collection and never end up in rubbish bins.

Contractual warranty

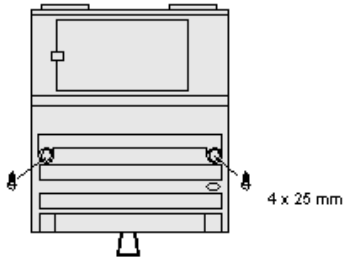
Warranty

18 months

Standard Adapter on a Discrete VAC Base

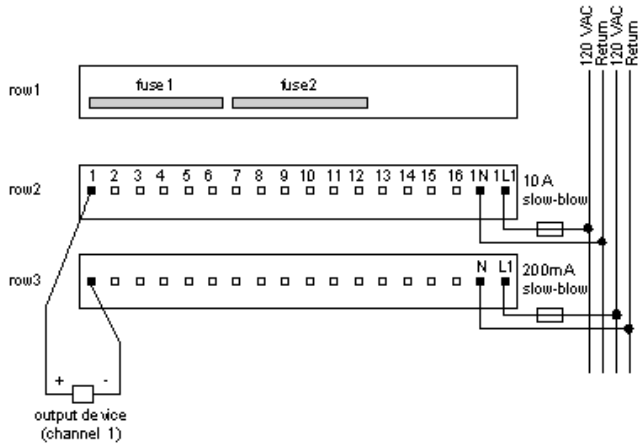


Mounting on a Wall

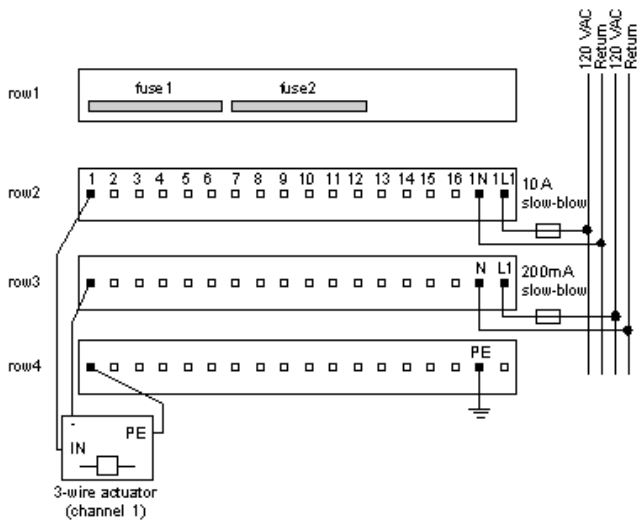


External Wiring Diagrams

2-Wire Device



3-Wire Device



Internal Pin Connections

Rows 1 through 3 show the internal connections between terminals on the I/O base. Row 4 shows the internal connections on the optional busbar.

