



### Main

Range of Product	Modicon Momentum automation platform
Product or Component Type	Discrete output base DC
Group of channels	2 groups of 16 outputs
Discrete output number	32
Discrete output type	Solid state switch
Discrete output voltage	24 V DC
Current per channel	0.5 A
Short-circuit protection	Outputs electronically protected
Protective treatment	TC

### Complementary

[Ue] rated operational voltage	24 V DC
Discrete output current	16 A per module 8 A per group
Maximum leakage current	1 mA 24 V DC
Surge current	5 A 1 ms
Maximum voltage drop	<0.5 V 0.5 A at state 1
Output overload protection	Outputs electronically protected
Response time	0.1 ms from state 0 to state 1 0.1 ms from state 1 to state 0
Isolation between channels and bus	500 V AC
Power dissipation	6 W typical 7.5 W maximum
Marking	CE
Local signalling	For channel status 32 LEDs
Current consumption	250 mA 24 V DC
Terminals description PLC n°1	(15)OUT_DIS#15 TB (2)OUT_DIS#2 (8)OUT_DIS#8 (L+)PW_POS (16)OUT_DIS#16 (7)OUT_DIS#7 (M-)PW_NEG (12)OUT_DIS#12 (9)OUT_DIS#9 (11)OUT_DIS#11 (14)OUT_DIS#14 (1)OUT_DIS#1 (5)OUT_DIS#5 (10)OUT_DIS#10 (13)OUT_DIS#13 (3)OUT_DIS#3 (4)OUT_DIS#4 (6)OUT_DIS#6

Terminals description PLC n°2	(6)OUT_DIS#22 (4)OUT_DIS#20 (7)OUT_DIS#23 (2L+)PW_POS (3)OUT_DIS#19 TB_1 (8)OUT_DIS#24 (10)OUT_DIS#26 (12)OUT_DIS#28 (2)OUT_DIS#18 (13)OUT_DIS#29 (16)IN_DIS#32 (11)OUT_DIS#27 (14)OUT_DIS#30 (15)OUT_DIS#31 (5)OUT_DIS#21 (9)OUT_DIS#25 (1)OUT_DIS#17 (1L+)PW_POS
Depth	1.87 in (47.5 mm)
Height	5.57 in (141.5 mm)
Width	4.92 in (125 mm)
Net Weight	0.46 lb(US) (0.21 kg)

## Environment

Product Certifications	CSA UL
Resistance to electrostatic discharge	4 KV contact IEC 801-2 8 kV on air IEC 801-2
Resistance to electromagnetic fields	9.14 V/m (10 V/m) 80...1000 MHz IEC 801-3
Ambient Air Temperature for Operation	32...140 °F (0...60 °C)
Ambient Air Temperature for Storage	-40...185 °F (-40...85 °C)
Relative Humidity	95 % without condensation
Operating altitude	<= 16404.2 ft (5000 m)

## Ordering and shipping details

Category	18206-MOMENTUM PROCESSORS,I/O BASES,CONN.
Discount Schedule	PC31
GTIN	3595861147676
Nbr. of units in pkg.	1
Package weight(Lbs)	14.22 oz (403.0 g)
Returnability	No
Country of origin	ID

## Packing Units

Unit Type of Package 1	PCE
Package 1 Height	2.17 in (5.5 cm)
Package 1 width	7.09 in (18 cm)
Package 1 Length	10.24 in (26 cm)
Unit Type of Package 2	S03
Number of Units in Package 2	10
Package 2 Weight	10.02 lb(US) (4.545 kg)
Package 2 Height	11.81 in (30 cm)
Package 2 width	11.81 in (30 cm)
Package 2 Length	15.75 in (40 cm)

## Offer Sustainability

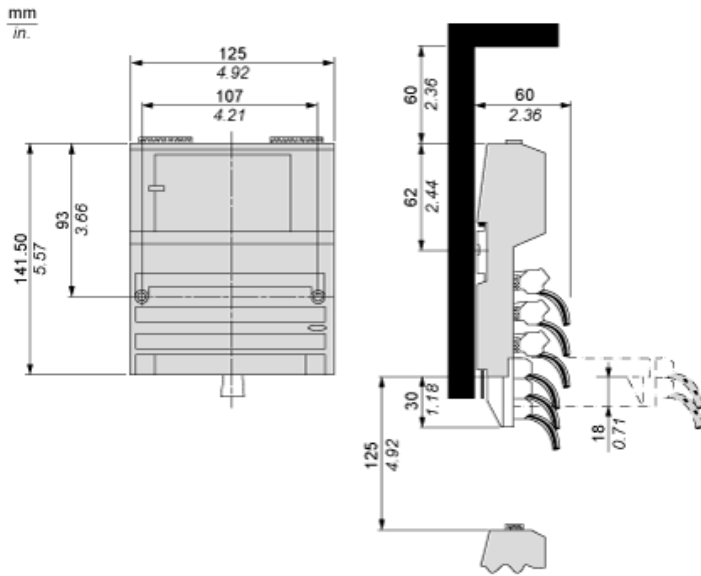
Sustainable offer status	Green Premium product
California proposition 65	WARNING: This product can expose you to chemicals including: Lead and lead compounds, which is known to the State of California to cause cancer and birth defects or other reproductive harm. For more information go to <a href="http://www.P65Warnings.ca.gov">www.P65Warnings.ca.gov</a>
REACH Regulation	<a href="#">REACH Declaration</a>
EU RoHS Directive	Pro-active compliance (Product out of EU RoHS legal scope) <a href="#">EU RoHS Declaration</a>
Mercury free	Yes
RoHS exemption information	<a href="#">Yes</a>
China RoHS Regulation	<a href="#">China RoHS Declaration</a>
Environmental Disclosure	<a href="#">Product Environmental Profile</a>
Circularity Profile	<a href="#">End Of Life Information</a>
WEEE	The product must be disposed on European Union markets following specific waste collection and never end up in rubbish bins.

## Contractual warranty

Warranty	18 months
----------	-----------

Standard Adapter on a Typical Base

Dimensions



---

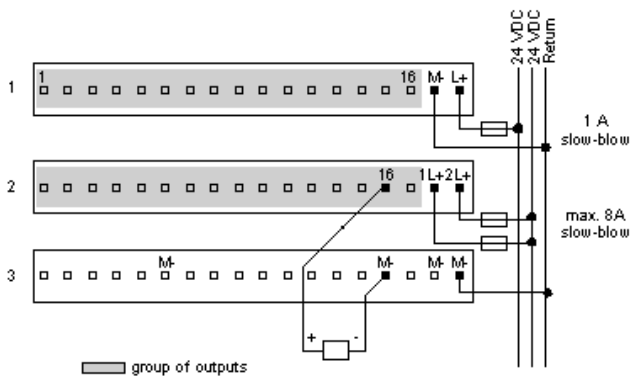
Mounting on a Wall

---

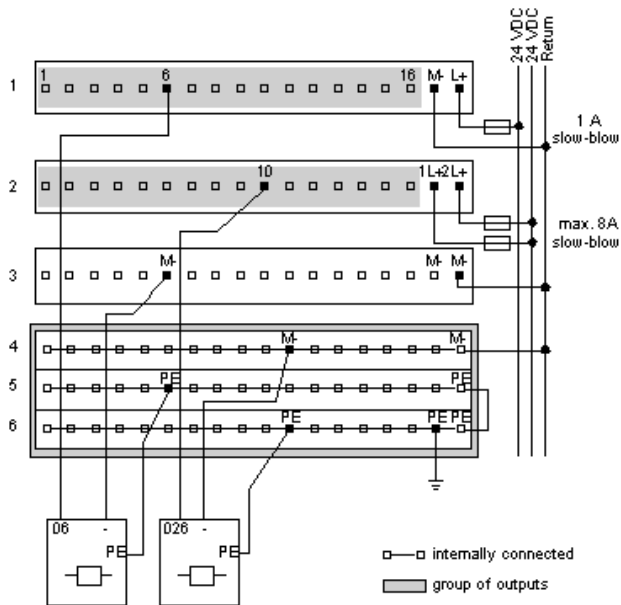


External Wiring Diagrams

2-Wire Actuator



3-Wire Actuators



Internal Pin Connections

Rows 1 through 3 show the internal connections between terminals on the I/O base. Rows 4 through 6 show the internal connections on the optional busbar.

