



### Main

Range of Product	Modicon Momentum automation platform
Product or Component Type	Discrete solid state I/O base DC
Group of channels	4 groups of 4 inputs 2 groups of 4 outputs
Discrete input number	16 IEC 1131-2 Type 1
Discrete input logic	Positive
Discrete input voltage	24 V DC
Discrete output number	8
Discrete output type	Solid state switch
Discrete output voltage	<= 30 V DC 24 V DC
Discrete output logic	Positive
Protective treatment	TC

### Complementary

[Us] rated supply voltage	24 V DC
Input voltage limits	- 3...30 V
Voltage state 0 guaranteed	-3...5 V
Voltage state 1 guaranteed	11...30 V
Current state 0 guaranteed	<= 1.2 mA
Current state 1 guaranteed	>= 2.5 mA
Input resistance	4 kOhm
Discrete output current	16 A per module 2 A per point 8 A per group
Maximum leakage current	1 mA 24 V output circuit)
Peak output current	2.8 A
Fault type	Short circuit on output Overload on output
Response time	< 0.1 ms from state 0 to state 1 on output < 0.1 ms from state 1 to state 0 on output 2.2 ms from state 0 to state 1 on input 3.3 ms from state 1 to state 0 on input
Isolation between channels and bus	500 V AC
Power dissipation	6.5 W <= 10 W
Marking	CE

Terminals description PLC n°1	(11)IN_DIS#11 (M-)PW_NEG (L+)PW_POS (7)IN_DIS#7 (15)IN_DIS#15 (16)IN_DIS#16 (1)IN_DIS#1 (4)IN_DIS#4 (6)IN_DIS#6 (14)IN_DIS#14 (13)IN_DIS#13 (5)IN_DIS#5 TB (12)IN_DIS#12 (10)IN_DIS#10 (8)IN_DIS#8 (2)IN_DIS#2 (3)IN_DIS#3 (9)IN_DIS#9
-------------------------------	--

Terminals description PLC n°2	(5)OUT_DIS#5 (1)OUT_DIS#1 (2)OUT_DIS#2 (4)OUT_DIS#4 (6)OUT_DIS#6 (8)OUT_DIS#8 (7)OUT_DIS#7 (3)OUT_DIS#3 (1L+)PW_POS (2L+)PW_POS TB_1
-------------------------------	--

Current consumption	250 mA 24 V DC
Depth	1.87 in (47.5 mm)
Height	5.57 in (141.5 mm)
Width	4.92 in (125 mm)
Net Weight	0.49 lb(US) (0.22 kg)

## Environment

Product Certifications	UL CSA
Resistance to electrostatic discharge	4 KV contact IEC 801-2 8 kV on air IEC 801-2
Resistance to electromagnetic fields	9.14 V/m (10 V/m) 80...1000 MHz IEC 801-3
Ambient Air Temperature for Operation	32...140 °F (0...60 °C)
Ambient Air Temperature for Storage	-40...185 °F (-40...85 °C)
Relative Humidity	95 % without condensation
Operating altitude	<= 16404.2 ft (5000 m)

## Ordering and shipping details

Category	18206-MOMENTUM PROCESSORS,I/O BASES,CONN.
Discount Schedule	PC31
GTIN	3595861147638
Nbr. of units in pkg.	1
Package weight(Lbs)	13.90 oz (394.0 g)
Returnability	No
Country of origin	ID

## Packing Units

Unit Type of Package 1	PCE
Package 1 Height	2.17 in (5.5 cm)
Package 1 width	7.09 in (18 cm)
Package 1 Length	10.24 in (26 cm)
Unit Type of Package 2	S03
Number of Units in Package 2	10
Package 2 Weight	9.66 lb(US) (4.381 kg)

Package 2 Height	11.81 in (30 cm)
Package 2 width	11.81 in (30 cm)
Package 2 Length	15.75 in (40 cm)

### Offer Sustainability

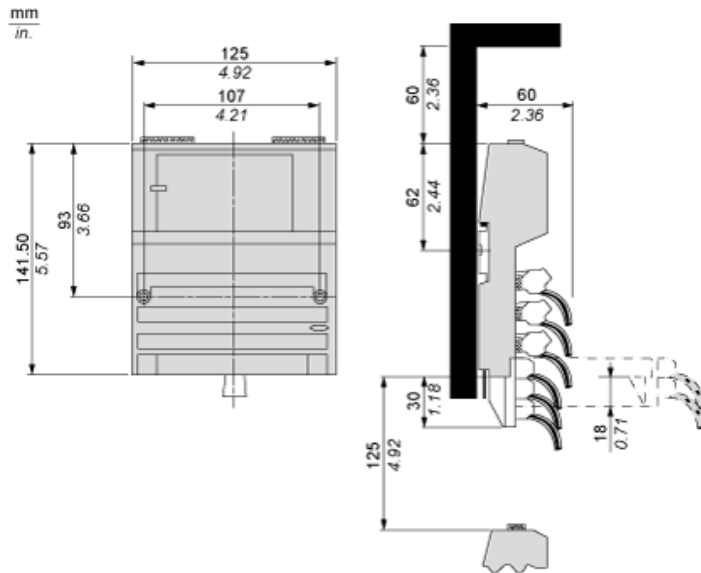
Sustainable offer status	Green Premium product
California proposition 65	WARNING: This product can expose you to chemicals including: Lead and lead compounds, which is known to the State of California to cause cancer and birth defects or other reproductive harm. For more information go to <a href="http://www.P65Warnings.ca.gov">www.P65Warnings.ca.gov</a>
REACH Regulation	<a href="#">REACH Declaration</a>
EU RoHS Directive	Pro-active compliance (Product out of EU RoHS legal scope) <a href="#">EU RoHS Declaration</a>
Mercury free	Yes
RoHS exemption information	<a href="#">Yes</a>
China RoHS Regulation	<a href="#">China RoHS Declaration</a>
Environmental Disclosure	<a href="#">Product Environmental Profile</a>
Circularity Profile	<a href="#">End Of Life Information</a>
WEEE	The product must be disposed on European Union markets following specific waste collection and never end up in rubbish bins.

### Contractual warranty

Warranty	18 months
----------	-----------

Standard Adapter on a Typical Base

Dimensions



---

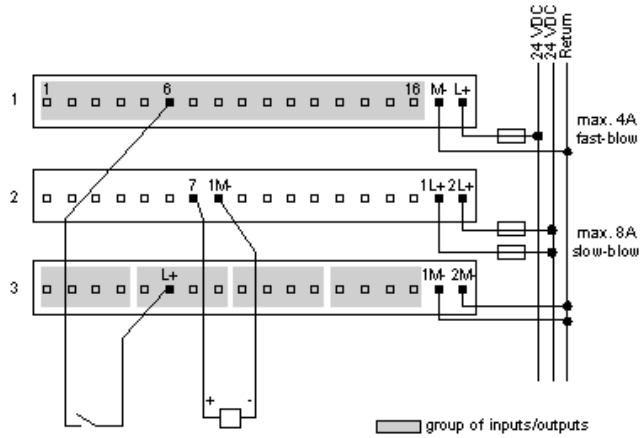
Mounting on a Wall

---

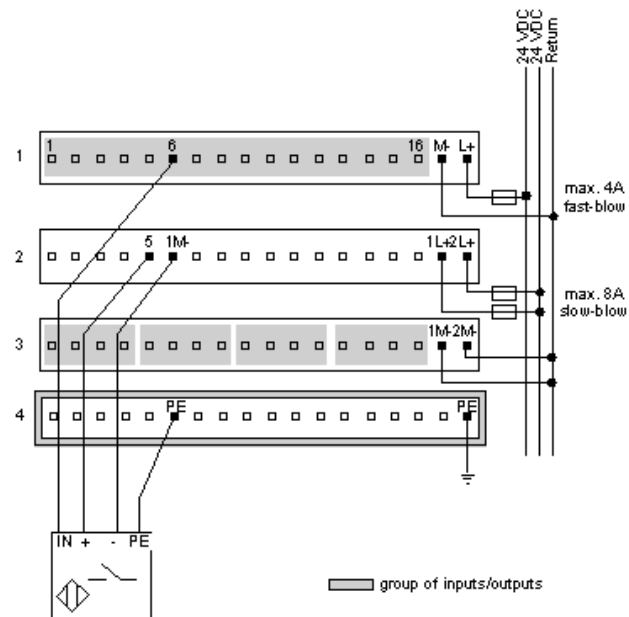


External Wiring Diagrams

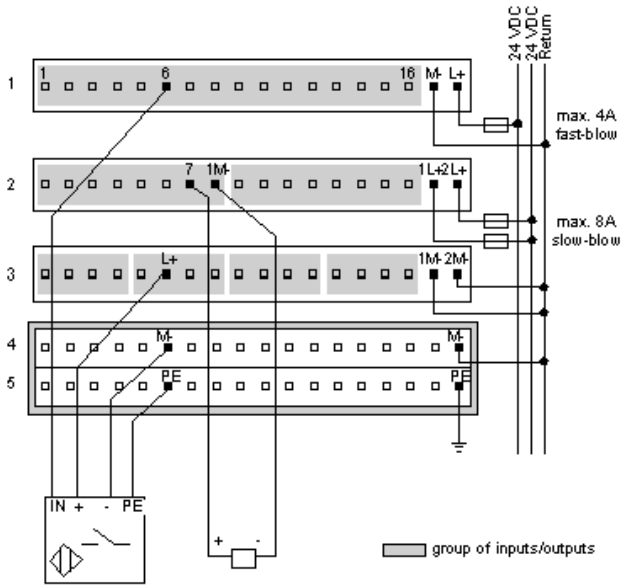
2-Wire Devices



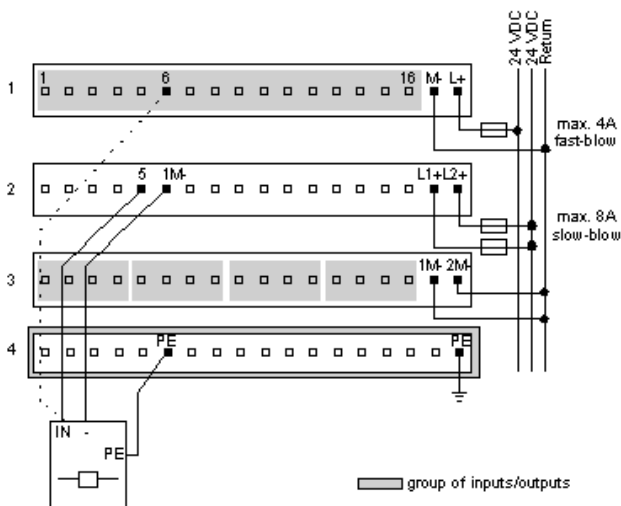
Sensor Activated by Output



## Four-Wire Sensor with a Two-Wire Actuator



## Broken Wire Detection



## Internal Pin Connections

Rows 1 through 3 show the internal connections between terminals on the I/O base. Rows 4 through 5 show the internal connections on the optional busbar.

