



Main

| | |
|---------------------------|--------------------------------------|
| Range of Product | Modicon Momentum automation platform |
| Product or Component Type | Discrete inputs base DC |
| Group of channels | 2 groups of 16 inputs |
| Discrete input number | 32 IEC 1131-2 Type 1 |
| Discrete input voltage | 24 V DC |
| Protective treatment | TC |

Complementary

| | |
|------------------------------------|--|
| Discrete input logic | Positive |
| Input voltage limits | 24 V |
| Voltage range | - 3...30 V |
| Voltage state 0 guaranteed | -3...5 V |
| Voltage state 1 guaranteed | 11...30 V |
| Current state 0 guaranteed | <= 1.2 mA |
| Current state 1 guaranteed | >= 2.5 mA |
| Input resistance | 4 kOhm |
| Response time | 2.2 ms from state 0 to state 1 3.3 ms from state 1 to state 0 |
| Isolation between channels and bus | 500 V AC |
| Power dissipation | 5.5 W typical 8.5 W maximum |
| Terminals description PLC n°1 | (5)IN_DIS#5 (L+)PW_POS (12)IN_DIS#12 (9)IN_DIS#9 (14)IN_DIS#14 (7)IN_DIS#7 (4)IN_DIS#4 (6)IN_DIS#6 (10)IN_DIS#10 (2)IN_DIS#2 (8)IN_DIS#8 (M-)PW_NEG (16)IN_DIS#16 (13)IN_DIS#13 (15)IN_DIS#15 (11)IN_DIS#11 (1)IN_DIS#1 (3)IN_DIS#3 TB |

The information provided in this documentation contains general descriptions and/or technical characteristics of the performance of the products contained herein. This documentation is not intended as a substitute for and is not to be used for determining suitability or reliability of these products for specific user applications. It is the duty of any such user or integrator to perform the appropriate and complete risk analysis, evaluation and testing of the products with respect to the relevant specific application or use thereof. Neither Schneider Electric Industries SAS nor any of its affiliates or subsidiaries shall be responsible or liable for misuse of the information contained herein.

| | |
|-------------------------------|---|
| Terminals description PLC n°2 | TB_1 (13)IN_DIS#29 (4)IN_DIS#20 (1L+)PW_POS (11)IN_DIS#27 (8)IN_DIS#24 (6)IN_DIS#22 (16)IN_DIS#32 (1)IN_DIS#17 (2)IN_DIS#18 (2L+)PW_POS (10)IN_DIS#26 (5)IN_DIS#21 (9)IN_DIS#25 (3)IN_DIS#19 (12)IN_DIS#28 (14)IN_DIS#30 (7)IN_DIS#23 (15)IN_DIS#31 |
| Marking | CE |
| Local signalling | For channel status 32 LEDs |
| Current consumption | <= 250 mA 24 V DC |
| Depth | 1.87 in (47.5 mm) |
| Height | 5.57 in (141.5 mm) |
| Width | 4.92 in (125 mm) |
| Net Weight | 0.44 lb(US) (0.2 kg) |

Environment

| | |
|---------------------------------------|---|
| Product Certifications | UL CSA |
| Resistance to electrostatic discharge | 4 KV contact IEC 801-2 8 kV on air IEC 801-2 |
| Resistance to electromagnetic fields | 9.14 V/m (10 V/m) 80...1000 MHz IEC 801-3 |
| Ambient Air Temperature for Operation | 32...140 °F (0...60 °C) |
| Ambient Air Temperature for Storage | -40...185 °F (-40...85 °C) |
| Relative Humidity | 95 % without condensation |
| Operating altitude | <= 16404.2 ft (5000 m) |

Ordering and shipping details

| | |
|-----------------------|---|
| Category | 18206-MOMENTUM PROCESSORS,I/O BASES,CONN. |
| Discount Schedule | PC31 |
| GTIN | 3595861000254 |
| Nbr. of units in pkg. | 1 |
| Package weight(Lbs) | 13.47 oz (382.0 g) |
| Returnability | Yes |
| Country of origin | ID |

Packing Units

| | |
|------------------------------|------------------------|
| Unit Type of Package 1 | PCE |
| Package 1 Height | 2.17 in (5.5 cm) |
| Package 1 width | 7.09 in (18 cm) |
| Package 1 Length | 10.24 in (26 cm) |
| Unit Type of Package 2 | S03 |
| Number of Units in Package 2 | 10 |
| Package 2 Weight | 9.85 lb(US) (4.466 kg) |
| Package 2 Height | 11.81 in (30 cm) |
| Package 2 width | 11.81 in (30 cm) |
| Package 2 Length | 15.75 in (40 cm) |

Offer Sustainability

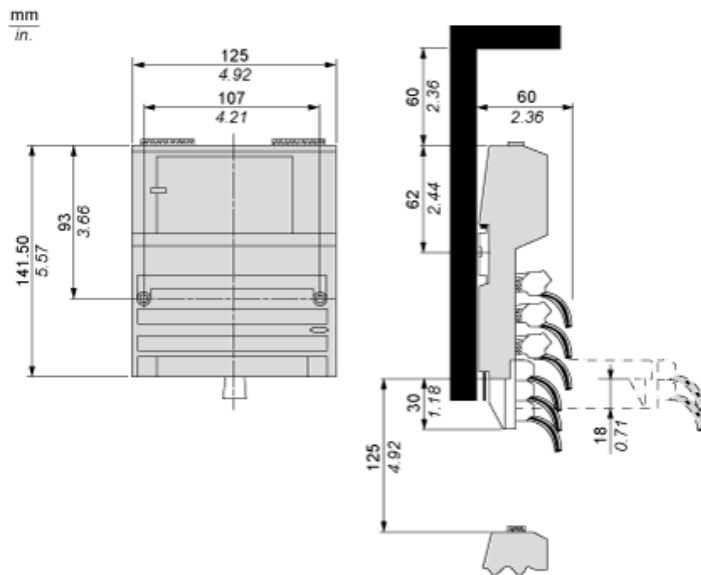
| | |
|----------------------------|---|
| Sustainable offer status | Green Premium product |
| California proposition 65 | WARNING: This product can expose you to chemicals including: Lead and lead compounds, which is known to the State of California to cause cancer and birth defects or other reproductive harm. For more information go to www.P65Warnings.ca.gov |
| REACH Regulation | REACH Declaration |
| EU RoHS Directive | Pro-active compliance (Product out of EU RoHS legal scope) EU RoHS Declaration |
| Mercury free | Yes |
| RoHS exemption information | Yes |
| China RoHS Regulation | China RoHS Declaration |
| Environmental Disclosure | Product Environmental Profile |
| Circularity Profile | End Of Life Information |
| WEEE | The product must be disposed on European Union markets following specific waste collection and never end up in rubbish bins. |

Contractual warranty

| | |
|----------|-----------|
| Warranty | 18 months |
|----------|-----------|

Standard Adapter on a Typical Base

Dimensions

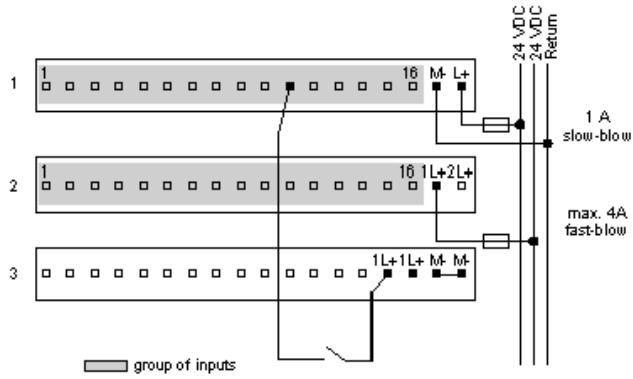


Mounting on a Wall

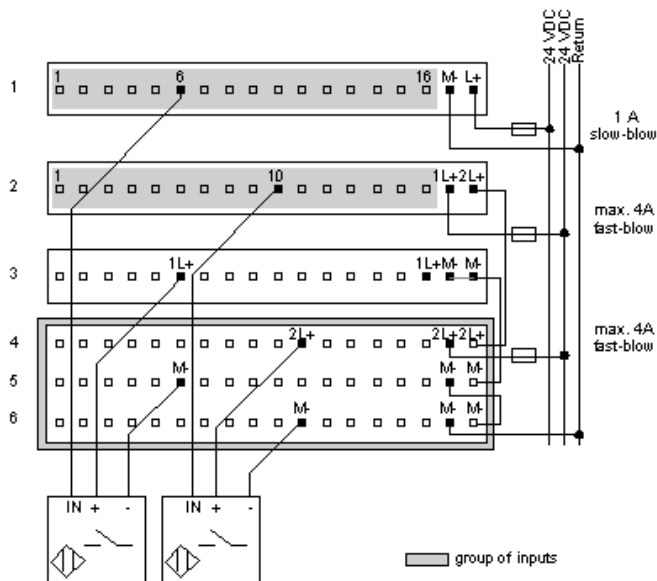


External Wiring Diagrams

2-Wire Device



3-Wire Devices



Internal Pin Connections

Rows 1 through 3 show the internal connections between terminals on the I/O base. Rows 4 through 6 show the internal connections on the optional busbar.

