



## Main

Range of Product	Modicon Momentum automation platform
Product or Component Type	Discrete inputs base DC
Group of channels	1 group of 16 inputs
Discrete input number	16 IEC 1131-2 Type 1
Discrete input voltage	24 V DC
Protective treatment	TC

## Complementary

Discrete input logic	Positive
Input voltage limits	24 V
Voltage range	- 3...30 V
Voltage state 0 guaranteed	-3...5 V
Voltage state 1 guaranteed	11...30 V
Current state 0 guaranteed	<= 1.2 mA
Current state 1 guaranteed	>= 2.5 mA
Input resistance	4 kOhm
Response time	2.2 ms from state 0 to state 1 3.3 ms from state 1 to state 0
Isolation between channels and bus	500 V AC
Power dissipation	5 W maximum 3 W typical
Terminals description PLC n°1	(8)IN_DIS#8 (5)IN_DIS#5 (16)IN_DIS#16 (4)IN_DIS#4 (3)IN_DIS#3 (13)IN_DIS#13 (14)IN_DIS#14 (10)IN_DIS#10 (L+)PW_POS (M-)PW_NEG (6)IN_DIS#6 (7)IN_DIS#7 (1)IN_DIS#1 (11)IN_DIS#11 (9)IN_DIS#9 (15)IN_DIS#15 (12)IN_DIS#12 TB (2)IN_DIS#2
Marking	CE
Local signalling	For channel status 16 LEDs
Current consumption	<= 250 mA 24 V DC
Depth	1.87 in (47.5 mm)
Height	5.57 in (141.5 mm)
Width	4.92 in (125 mm)
Net Weight	0.42 lb(US) (0.19 kg)

## Environment

Product Certifications	FM Class 1 Division 2 CSA UL
Resistance to electrostatic discharge	4 KV contact IEC 801-2 8 kV on air IEC 801-2
Resistance to electromagnetic fields	9.14 V/m (10 V/m) 80...1000 MHz IEC 801-3
Ambient Air Temperature for Operation	32...140 °F (0...60 °C)
Ambient Air Temperature for Storage	-40...185 °F (-40...85 °C)
Relative Humidity	95 % without condensation
Operating altitude	<= 16404.2 ft (5000 m)

## Ordering and shipping details

Category	18206-MOMENTUM PROCESSORS,I/O BASES,CONN.
Discount Schedule	PC31
GTIN	3595861000247
Nbr. of units in pkg.	1
Package weight(Lbs)	13.69 oz (388.0 g)
Returnability	No
Country of origin	ID

## Packing Units

Unit Type of Package 1	PCE
Package 1 Height	2.24 in (5.7 cm)
Package 1 width	7.17 in (18.2 cm)
Package 1 Length	10.24 in (26 cm)
Unit Type of Package 2	S03
Number of Units in Package 2	10
Package 2 Weight	9.53 lb(US) (4.321 kg)
Package 2 Height	11.81 in (30 cm)
Package 2 width	11.81 in (30 cm)
Package 2 Length	15.75 in (40 cm)

## Offer Sustainability

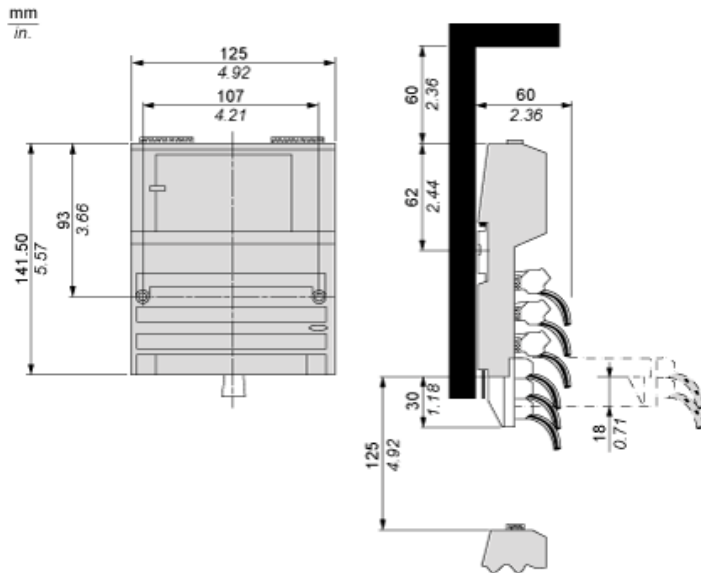
Sustainable offer status	Green Premium product
California proposition 65	WARNING: This product can expose you to chemicals including: Lead and lead compounds, which is known to the State of California to cause cancer and birth defects or other reproductive harm. For more information go to <a href="http://www.P65Warnings.ca.gov">www.P65Warnings.ca.gov</a>
REACH Regulation	<a href="#">REACH Declaration</a>
EU RoHS Directive	Pro-active compliance (Product out of EU RoHS legal scope) <a href="#">EU RoHS Declaration</a>
Mercury free	Yes
RoHS exemption information	<a href="#">Yes</a>
China RoHS Regulation	<a href="#">China RoHS Declaration</a>
Environmental Disclosure	<a href="#">Product Environmental Profile</a>
Circularity Profile	<a href="#">End Of Life Information</a>
WEEE	The product must be disposed on European Union markets following specific waste collection and never end up in rubbish bins.

## Contractual warranty

Warranty	18 months
----------	-----------

Standard Adapter on a Typical Base

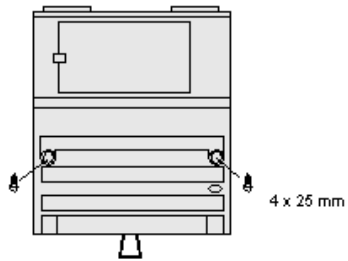
Dimensions



---

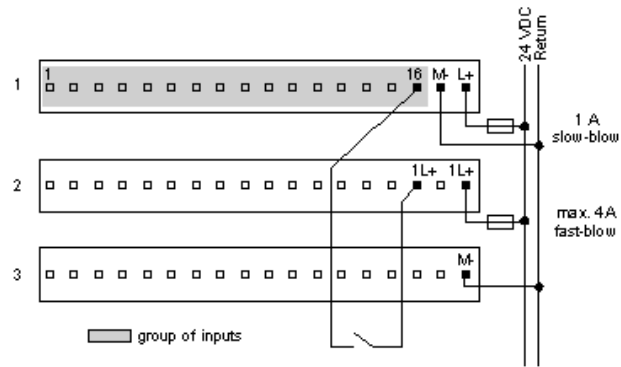
Mounting on a Wall

---

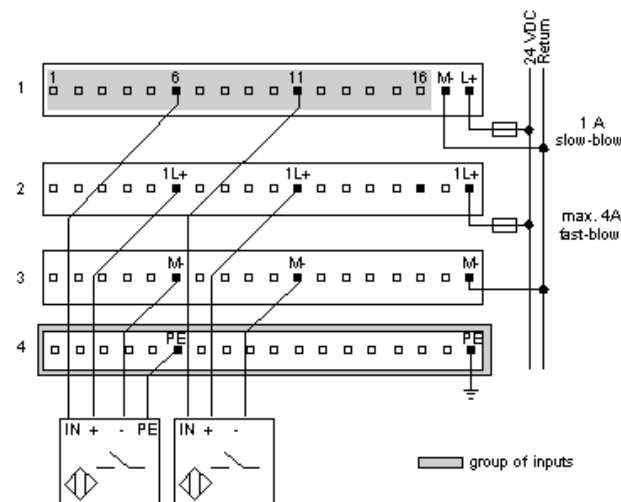


External Wiring Diagrams

2-Wire Device



3- and 4-Wire Devices



Internal Pin Connections

Rows 1 through 3 show the internal connections between terminals on the I/O base. Row 4 shows the internal connections on the optional busbar.

