



Main

Range of Product	Modicon Momentum automation platform
Product or Component Type	Analogue output base

Complementary

Analogue output number	4
Data format	Full 16 bits signed
Analogue output range	+/- 10 V 12 bits + sign >= 1 kOhm 0..20 mA 12 bits + sign <= 0.6 kOhm
Maximum load capacitance	1 µF
Absolute accuracy error	+/- 0.2 % of full scale +/- 10 V 77 °F (25 °C) +/- 0.25 % full scale +/- 10 V 140 °F (60 °C) +/- 0.3 % of full scale 0...20 mA 77 °F (25 °C) +/- 0.4 % of full scale 0...20 mA 140 °F (60 °C)
Temperature drift	10 %oFS/°C +/- 10 V 140 °F (60 °C) 30 %oFS/°C 0...20 mA 140 °F (60 °C)
Update time	2 ms
Full scale	10 V +/- 10 V 2 mA 0...20 mA
Fail state	Reset to full scale Hold Reset to zero
Isolation between channels and ground	500 V AC for 1 minute
Maximum power dissipation in W	8.5 W
Protection type	Internal 2 A slow-blow
Output short-circuit protection	With in voltage circuit
External power requirement	+/- 30 V DC 24 V DC
Permissible common mode voltage	250 V 47...63 Hz AC between channels to ground 250 V 47...63 Hz DC
Reverse polarity protection	Internal
Marking	CE
Local signalling	For channel status 4 LEDs
Current consumption	150 mA 24 V DC actuator 530 mA 24 V DC base
Module format	Standard
Height	4.92 in (125 mm)
Depth	1.87 in (47.5 mm)
Width	5.57 in (141.5 mm)
Net Weight	0.47 lb(US) (0.215 kg)

The information provided in this documentation contains general descriptions and/or technical characteristics of the performance of the products contained herein. This documentation is not intended as a substitute for and is not to be used for determining suitability or reliability of these products for specific user applications. It is the duty of any such user or integrator to perform the appropriate and complete risk analysis, evaluation and testing of the products with respect to the relevant specific application or use thereof. Neither Schneider Electric Industries SAS nor any of its affiliates or subsidiaries shall be responsible or liable for misuse of the information contained herein.

Environment

Product Certifications	UL CSA
Protective treatment	TC
Resistance to electrostatic discharge	4 KV contact IEC 801-2 8 kV on air IEC 801-2
Resistance to electromagnetic fields	9.14 V/m (10 V/m) 80...1000 MHz IEC 801-3
Ambient Air Temperature for Operation	32...140 °F (0...60 °C)
Ambient Air Temperature for Storage	-40...185 °F (-40...85 °C)
Relative Humidity	95 % without condensation
Operating altitude	<= 16404.2 ft (5000 m)

Ordering and shipping details

Category	18206-MOMENTUM PROCESSORS,I/O BASES,CONN.
Discount Schedule	PC31
GTIN	3595861147713
Nbr. of units in pkg.	1
Package weight(Lbs)	7.41 oz (210.0 g)
Returnability	Yes
Country of origin	ID

Packing Units

Unit Type of Package 1	PCE
Package 1 Height	2.17 in (5.5 cm)
Package 1 width	7.09 in (18 cm)
Package 1 Length	10.04 in (25.5 cm)
Unit Type of Package 2	S03
Number of Units in Package 2	10
Package 2 Weight	4.63 lb(US) (2.1 kg)
Package 2 Height	11.81 in (30 cm)
Package 2 width	11.81 in (30 cm)
Package 2 Length	15.75 in (40 cm)
Unit Type of Package 3	PAL
Number of Units in Package 3	80
Package 3 Weight	37.04 lb(US) (16.8 kg)
Package 3 Height	23.62 in (60 cm)
Package 3 width	31.50 in (80 cm)
Package 3 Length	31.50 in (80 cm)

Offer Sustainability

Sustainable offer status	Green Premium product
California proposition 65	WARNING: This product can expose you to chemicals including: Lead and lead compounds, which is known to the State of California to cause cancer and birth defects or other reproductive harm. For more information go to www.P65Warnings.ca.gov
REACH Regulation	REACH Declaration
EU RoHS Directive	Pro-active compliance (Product out of EU RoHS legal scope) EU RoHS Declaration
Mercury free	Yes
RoHS exemption information	Yes
China RoHS Regulation	China RoHS Declaration
Environmental Disclosure	Product Environmental Profile

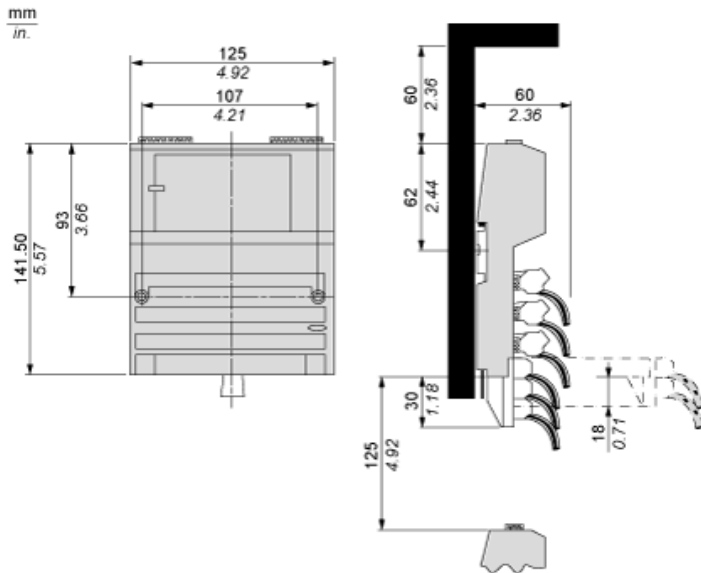
Circularity Profile	End Of Life Information
WEEE	The product must be disposed on European Union markets following specific waste collection and never end up in rubbish bins.

Contractual warranty

Warranty	18 months
----------	-----------

Standard Adapter on a Typical Base

Dimensions



Mounting on a Wall



