

# Product data sheet

Specifications



## discrete output module Modicon Quantum - 16 O - 83..253 V AC

140DAO84210

⚠ Discontinued on: Dec 31, 2022

⚠ To be end-of-service on: Dec 31, 2030

⚠ Discontinued - Service only

**Product availability: Non-Stock - Not normally stocked in distribution facility**

### Main

Range of Product	Modicon Quantum automation platform
Product or Component Type	AC discrete output modules
Discrete output number	16

### Complementary

Group of channels	4 groups of 4 channels
Supply frequency	47...63 Hz
Maximum voltage drop	1.5 V
Discrete output voltage	83...253 V AC
Addressing requirement	1 output word
Absolute maximum output	300 Vrms 10 s AC 400 Vrms 1 cycle AC
Maximum load current	2 mA rms 115 Vrms off state leakage per output 2.5 mA rms 230 Vrms off state leakage per output 3 A rms 170...253 V per output 4 A rms 85...132 V per output 16 A rms per module 4 A rms per group
Surge current	10 A during 3 cycles per point 20 A during 2 cycles per point 30 A during 1 cycle per point 25 A during 3 cycles per group 30 A during 2 cycles per group 45 A during 1 cycle per group
DV/dt	400 V/ms
Response Time	<= 0.5 ms at state 0 to state 1 <= 0.5 ms at state 1 to state 0
Fault indication	Blown fuse Loss of field power
Protection Type	Internal by RC filter Internal output protection by 5 A fuse
Power dissipation	1.85 + (1.1 V x total module load current)
Marking	CE
Local signalling	for bus communication is present (Active) 1 LED (green) for external fault detected (F) 1 LED (red) for input status 16 LEDs (green)
Bus current requirement	350 mA

Price is "List Price" and may be subject to a trade discount – check with your local distributor or retailer for actual price.

<b>Module format</b>	Standard
<b>Product Weight</b>	0.99 lb(US) (0.45 kg)

## Environment

<b>Product Certifications</b>	cUL FM Class 1 Division 2
<b>Standards</b>	UL 508 CSA C22.2 No 142
<b>Electromagnetic compatibility</b>	Electrostatic discharge immunity test - test level: 4 kV (contact discharge) conforming to IEC 801-2 Electrostatic discharge immunity test - test level: 8 kV (air discharge) conforming to IEC 801-2 Susceptibility to electromagnetic fields - test level: 10 V/m (80...1000 MHz) conforming to IEC 801-3
<b>Ambient air temperature for operation</b>	32...140 °F (0...60 °C)
<b>Ambient Air Temperature for Storage</b>	-40...185 °F (-40...85 °C)
<b>Relative Humidity</b>	95 % without condensation
<b>Operating altitude</b>	<= 16404.2 ft (5000 m)

## Ordering and shipping details

<b>Category</b>	US1PC2118155
<b>Discount Schedule</b>	PC21
<b>GTIN</b>	3595861126985
<b>Returnability</b>	Yes
<b>Country of origin</b>	CN

## Packing Units

<b>Unit Type of Package 1</b>	PCE
<b>Number of Units in Package 1</b>	1
<b>Package 1 Height</b>	6.42 in (16.3 cm)
<b>Package 1 Width</b>	1.77 in (4.5 cm)
<b>Package 1 Length</b>	12.28 in (31.2 cm)
<b>Package 1 Weight</b>	22.4 oz (634.0 g)

## Contractual warranty

<b>Warranty</b>	18 months
-----------------	-----------

## Environmental Data

Schneider Electric aims to achieve Net Zero status by 2050 through supply chain partnerships, lower impact materials, and circularity via our ongoing "Use Better, Use Longer, Use Again" campaign to extend product lifetimes and recyclability.

[Environmental Data explained >](#)

[How we assess product sustainability >](#)

### Use Better

#### Materials and Substances

[EU RoHS Directive](#)

Pro-active compliance (Product out of EU RoHS legal scope)

California proposition 65

**WARNING:** This product can expose you to chemicals including: Lead and lead compounds, which is known to the State of California to cause cancer and birth defects or other reproductive harm. For more information go to [www.P65Warnings.ca.gov](http://www.P65Warnings.ca.gov)

### Use Again

#### Repack and remanufacture

WEEE

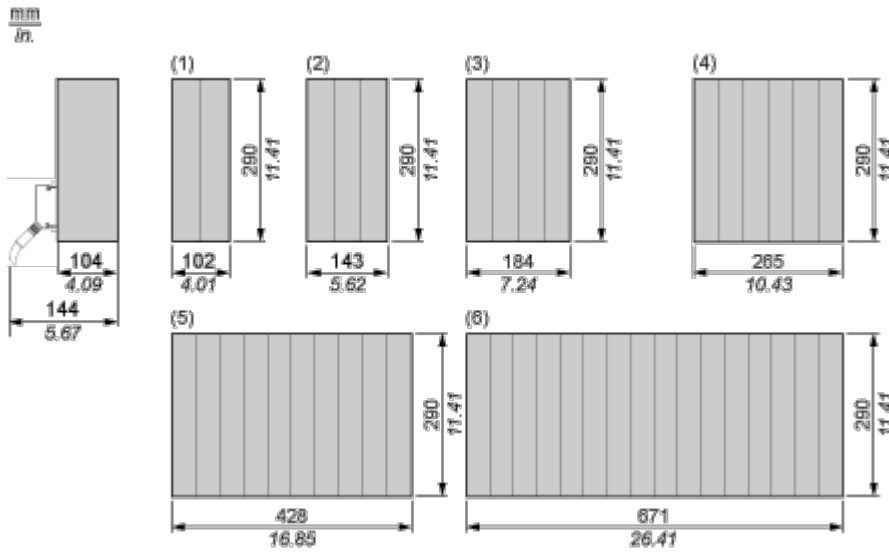


The product must be disposed on European Union markets following specific waste collection and never end up in rubbish bins.

Dimensions Drawings

Racks for Modules Mounting

Dimensions of Modules and Racks

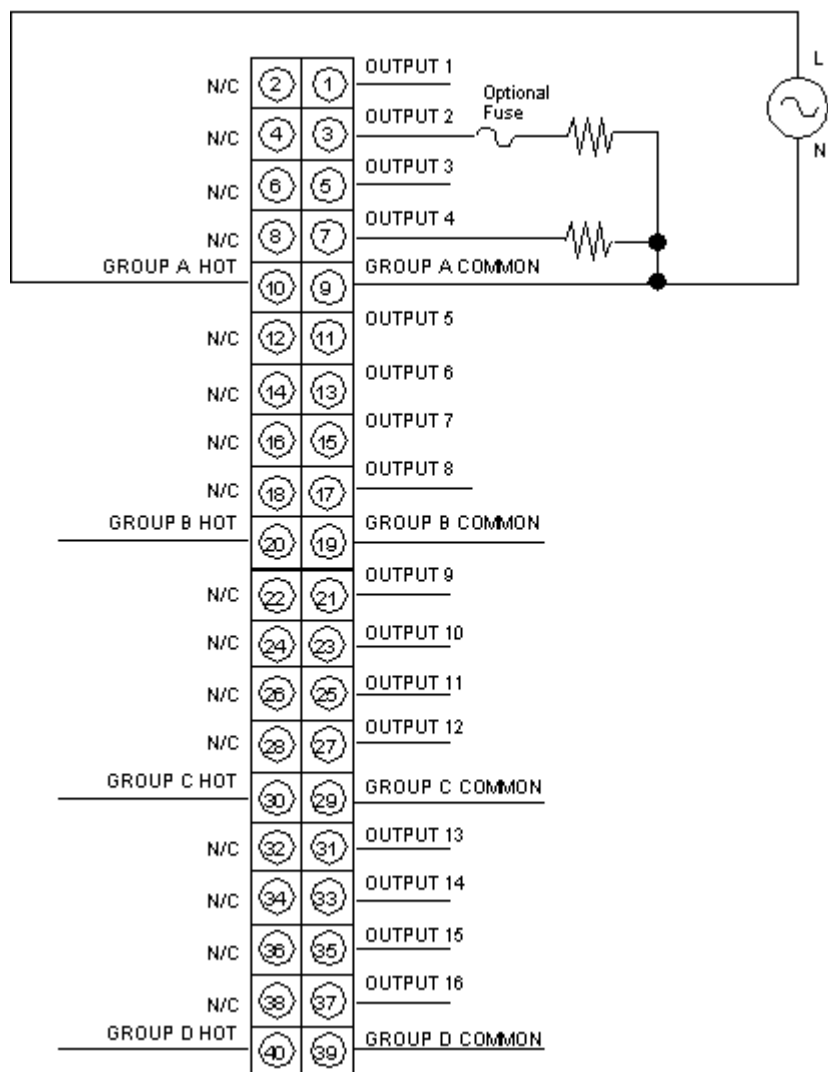


- (1) 2 slots
- (2) 3 slots
- (3) 4 slots
- (4) 6 slots
- (5) 10 slots
- (6) 16 slots

Connections and Schema

100...230 Vac Discrete Output Module

Wiring Diagram



N/C Not Connected