

# Product data sheet

Specifications



## analog input module Modicon Quantum - 8 I multirange

140AVI03000

⚠ Discontinued on: Jan 15, 2023

⚠ To be end-of-service on: Dec 31, 2030

⚠ Discontinued - Service only

**Product availability: Non-Stock - Not normally stocked in distribution facility**

### Main

Range of Product	Modicon Quantum automation platform
Product or Component Type	Analogue input module
Type of filter	Single pole low pass - 3 dB at 847 Hz +/- 20 %

### Complementary

Analogue input number	8
Input type	Differential
Addressing requirement	9 input words
Analogue input type	Bipolar current 20 mA Bipolar voltage +/- 10 V Bipolar voltage +/- 5 V Unipolar current 0...20 mA Unipolar voltage 0...10 V Unipolar voltage 0...5 V
Analogue input resolution	16 bits +/- 10 V 16 bits +/- 5 V 16 bits 0...10 V 16 bits 0...20 mA 16 bits 0...5 V 16 bits 20 mA
Linear measuring range	(input range) x 1.024 mA (input range) x 1.024 V
Absolute maximum input	50 V DC 25 mA
Input impedance	> 20 Ohm voltage 250 MOhm +/- 0.03 %
Absolute accuracy error	+/- 0.03 % +/- 0.05 % of full scale maximum
Linearity error	+/- 0.008 %
Accuracy drift according to temperature	+/- 0.0015 % of full scale/°C <= 0.004 % of full scale /°C
Common mode rejection	> - 80 dB 60 Hz
Isolation between channels and bus	500 Vrms AC 60 s 750 V DC
Isolation between channels	135 Vrms AC 200 V DC
Update time	10 ms

Price is "List Price" and may be subject to a trade discount – check with your local distributor or retailer for actual price.

<b>Fault type</b>	Broken wire 4...20 mA Overtacking scale 1...5 V
<b>Marking</b>	CE
<b>Local signalling</b>	for bus communication is present (Active) 1 LED (green) for external fault 1 LED (red) for channel is turned on 8 LEDs (green) for channel fault 8 LEDs (red)
<b>Bus current requirement</b>	280 mA
<b>Power dissipation in W</b>	2.2 W
<b>Module format</b>	Standard
<b>Product Weight</b>	0.7 lb(US) (0.3 kg)

## Environment

<b>Standards</b>	UL 508 CSA C22.2 No 142
<b>Product Certifications</b>	FM Class 1 Division 2 cUL
<b>Resistance to electrostatic discharge</b>	4 kV contact IEC 801-2 8 kV on air IEC 801-2
<b>Resistance to electromagnetic fields</b>	9.1 V/m (10 V/m) 80...1000 MHz IEC 801-3
<b>Ambient air temperature for operation</b>	32...140 °F (0...60 °C)
<b>Ambient Air Temperature for Storage</b>	-40...185 °F (-40...85 °C)
<b>Relative Humidity</b>	95 % without condensation
<b>Operating altitude</b>	<= 16404.2 ft (5000 m)

## Ordering and shipping details

<b>Category</b>	US1PC2118155
<b>Discount Schedule</b>	PC21
<b>GTIN</b>	3595861126619
<b>Returnability</b>	Yes
<b>Country of origin</b>	FR

## Packing Units

<b>Unit Type of Package 1</b>	PCE
<b>Number of Units in Package 1</b>	1
<b>Package 1 Height</b>	1.97 in (5.000 cm)
<b>Package 1 Width</b>	6.50 in (16.500 cm)
<b>Package 1 Length</b>	12.40 in (31.500 cm)
<b>Package 1 Weight</b>	16.226 oz (460.000 g)
<b>Unit Type of Package 2</b>	S03
<b>Number of Units in Package 2</b>	7
<b>Package 2 Height</b>	11.81 in (30.000 cm)
<b>Package 2 Width</b>	11.81 in (30.000 cm)
<b>Package 2 Length</b>	15.75 in (40.000 cm)

---

Package 2 Weight

8.144 lb(US) (3.694 kg)

## Contractual warranty

---

Warranty

18 months

## Environmental Data

Schneider Electric aims to achieve Net Zero status by 2050 through supply chain partnerships, lower impact materials, and circularity via our ongoing "Use Better, Use Longer, Use Again" campaign to extend product lifetimes and recyclability.

[Environmental Data explained >](#)

[How we assess product sustainability >](#)

### Use Better

#### Materials and Substances

[EU RoHS Directive](#)

Pro-active compliance (Product out of EU RoHS legal scope)

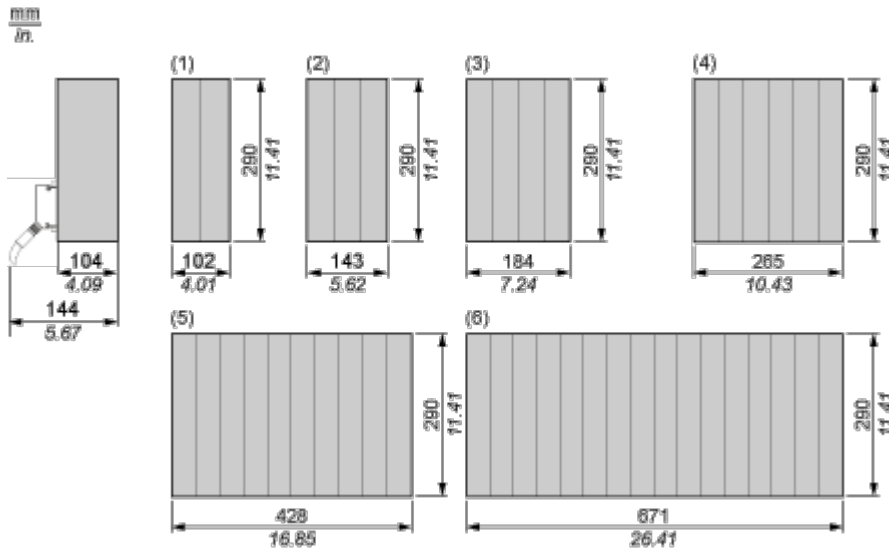
California proposition 65

**WARNING:** This product can expose you to chemicals including: Lead and lead compounds, which is known to the State of California to cause cancer and birth defects or other reproductive harm. For more information go to [www.P65Warnings.ca.gov](http://www.P65Warnings.ca.gov)

Dimensions Drawings

Racks for Modules Mounting

Dimensions of Modules and Racks

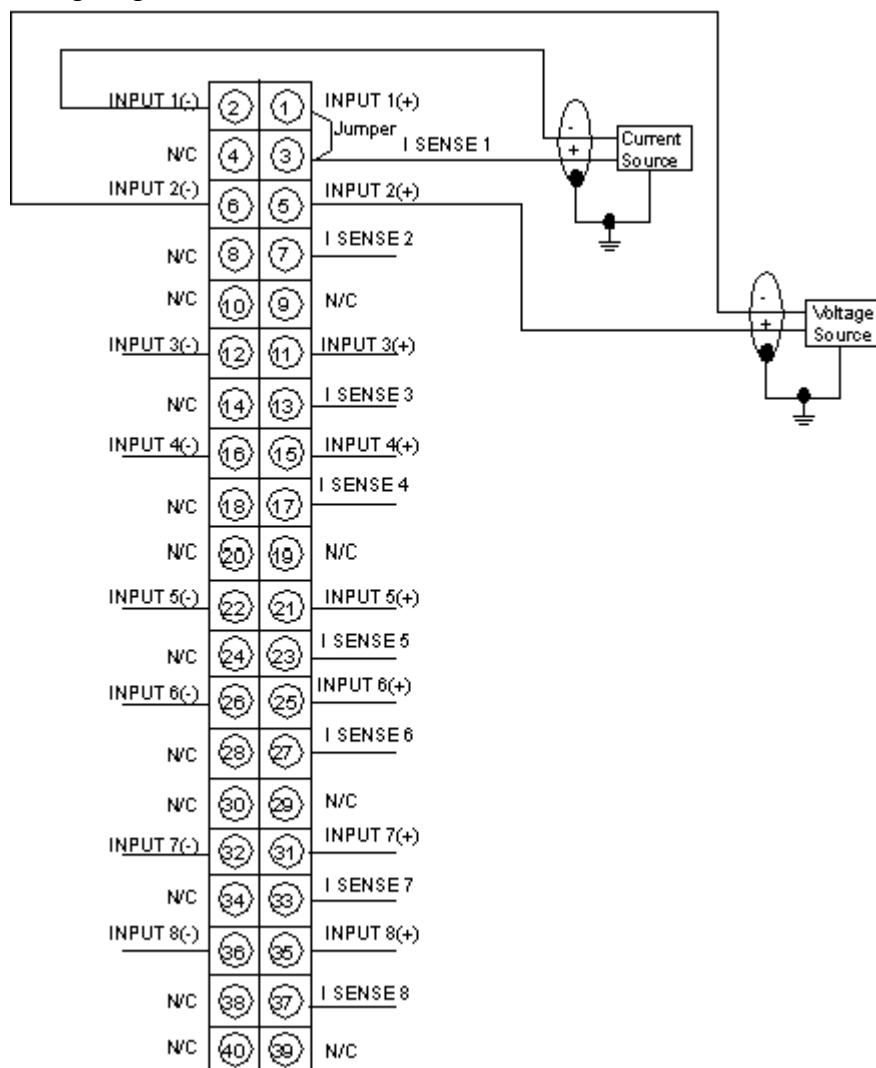


- (1) 2 slots
- (2) 3 slots
- (3) 4 slots
- (4) 6 slots
- (5) 10 slots
- (6) 16 slots

Connections and Schema

Analog Input 8-Channel Bipolar Module

Wiring Diagram



N/C Not Connected