



MILBANK
ENERGY AT WORK

U5000-XL-41

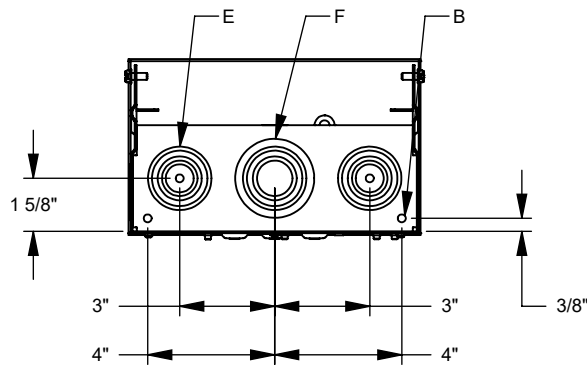
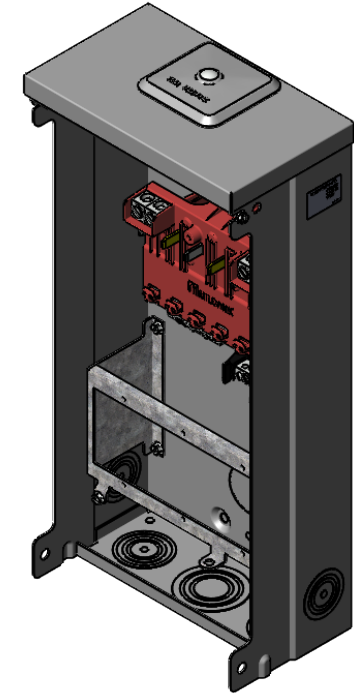
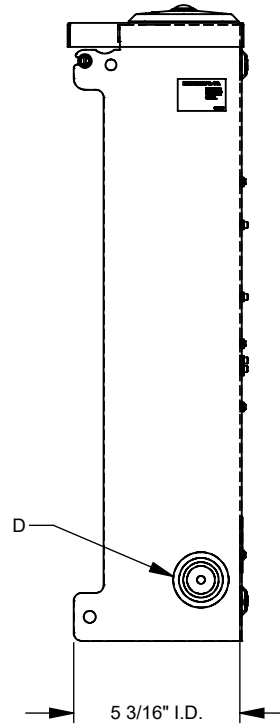
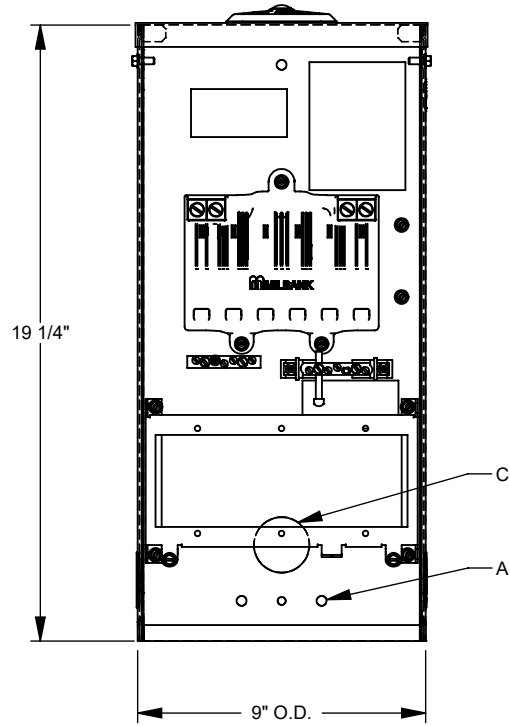


Catalog Number	U5000-XL-41
Marketing Product Description	Unmetered Small Closing Plate TT30 520GR Surface Mount
UPC	784572258754
Length (IN)	5.188
Width (IN)	8.875
Height (IN)	19.25
Brand Name	Milbank
Type	Unmetered Power Supply
Application	RV Power
Standard	UL Listed;Type 3R
Voltage Rating	Up to 240 Volts Alternating Current
Amperage Rating	125 Continuous Ampere
Phase	1 Phase
Frequency Rating	60 Hertz
Size	5.188L x 8.875W x 19.25H
Number Of Cutouts	2
Cutout Size	One Single Pole 20 Ampere Breaker and One Single Pole 30 Ampere Breaker
Cable Entry	Overhead or Underground
Terminal	Lay in
Insulation	Glass Polyester

Mounting	Surface Mount
Enclosure	G90 Galvanized Steel with Powder Coat Finish
Jaw Quantity	0 Terminals
Bypass Type	No Bypass
Number of Meter Positions	Single Power Head
Equipment Ground	Ground Bar
Hub Opening	Small Closing Plate
Line Side Wire Range	14 - 2/0 AWG
Number Branch Circuits	4
Number Of Receptacles	2
Receptacle Configuration	One NEMA TT30 and One NEMA 5-20 Ground Fault

Please consult serving utility for their requirements prior to ordering or installing, as specifications and approvals vary by utility and may require local electrical inspector approval. All installations must be installed by a licensed electrician and must comply with all national and local codes, laws and regulations. Milbank reserves the right to make changes in specifications and features shown without notice or obligation.

FEATURE TABLE		
ITEM	QTY	DESCRIPTION
A	4	U/L MNTG.EMBOSS
B	2	1/4 SOLID K.O.
C	1	1 1/4 SOLID K.O.
D	2	1/2, 3/4, 1, 1 1/4 CONC. K.O.
E	2	1/2, 3/4, 1, 1 1/4, 1 1/2 CONC. K.O.
F	1	3/4, 1, 1 1/4, 1 1/2, 2 CONC. K.O.



Version:

1

All dimensions are +/- 1/16".
Drawing views are not to scale.

Please consult serving utility for their requirements prior to ordering or installing, as specifications and approvals vary by utility, and may require local electrical inspector approval. All installations must be installed by a licensed electrician and must comply with all national and local codes, laws and regulations. Milbank reserves the right to make changes in specifications and features shown without notice or obligation.