



MILBANK[®]
ENERGY AT WORK

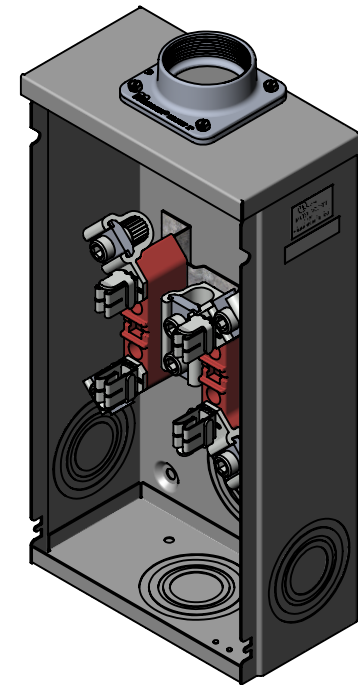
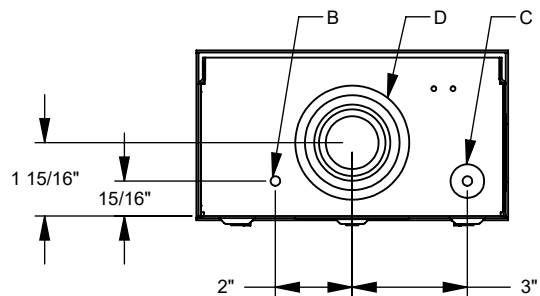
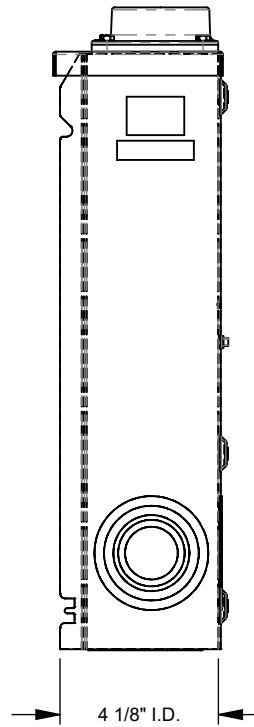
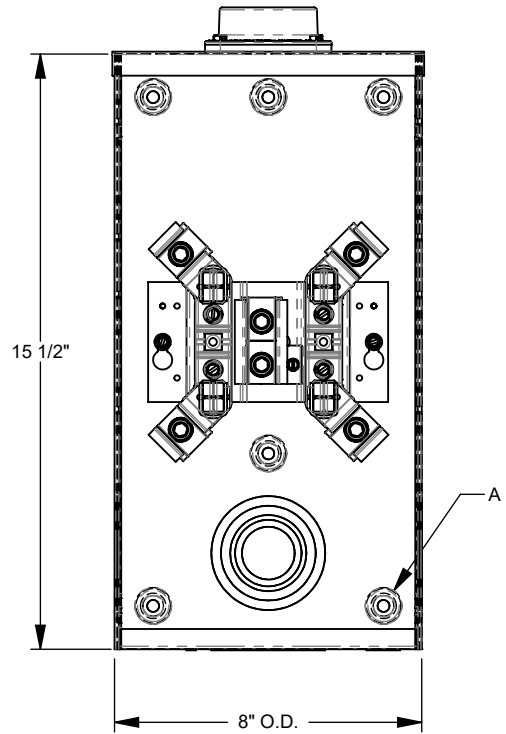
U4517-DL-M4



Catalog Number	U4517-DL-M4	Jaw Quantity	4 Terminal
Marketing Product Description	4 Terminal Ring Type 2 In Hub	Bypass Type	No Bypass
UPC	784572210158	Number of Meter Positions	1 Position
Length (IN)	4.125	Equipment Ground	Triplex Ground
Width (IN)	8	Hub Opening	2 Inch Hub
Height (IN)	15.5	Line Side Wire Range	6 AWG - 350 kcmil
Brand Name	Milbank	Load Side Wire Range	6 AWG - 350 kcmil
Type	Ring Type Meter Socket	Number Of Receptacles	0
Application	Meter Socket		
Standard	UL Listed;Type 3R		
Voltage Rating	600 Volts Alternating Current		
Amperage Rating	200 Continuous Ampere		
Phase	1 Phase		
Frequency Rating	60 Hertz		
Size	4.125L x 8W x 15.5H		
Number Of Cutouts	0		
Cutout Size	No Main Breaker		
Cable Entry	Overhead		
Terminal	Lay in		
Insulation	Glass Polyester		
Mounting	Surface Mount		
Enclosure	G90 Galvanized Steel with Powder Coat Finish		

Please consult serving utility for their requirements prior to ordering or installing, as specifications and approvals vary by utility and may require local electrical inspector approval. All installations must be installed by a licensed electrician and must comply with all national and local codes, laws and regulations. Milbank reserves the right to make changes in specifications and features shown without notice or obligation.

FEATURE TABLE		
ITEM	QTY	DESCRIPTION
A	6	U/L MNTG.EMBOSS
B	1	¼ SOLID K.O.
C	1	¼, ½ CONC. K.O.
D	4	1, 1¼, 1½, 2, 2½ CONC. K.O.



Version:

1

**All dimensions are +/- 1/16".
Drawing views are not to scale.**

Please consult serving utility for their requirements prior to ordering or installing, as specifications and approvals vary by utility, and may require local electrical inspector approval. All installations must be installed by a licensed electrician and must comply with all national and local codes, laws and regulations. Milbank reserves the right to make changes in specifications and features shown without notice or obligation.