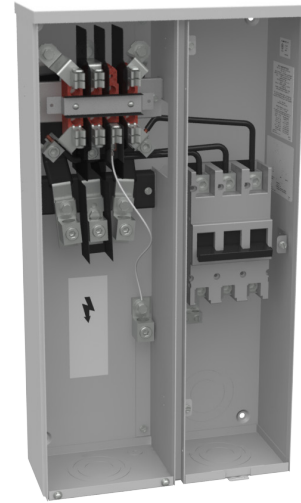




MILBANK
ENERGY AT WORK

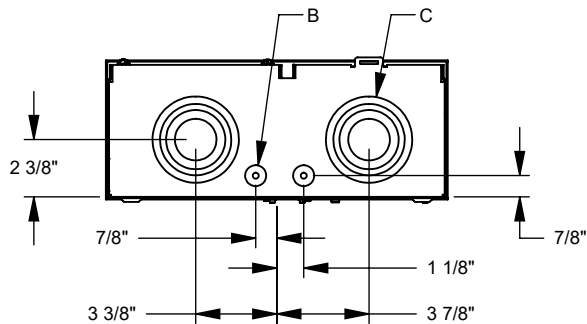
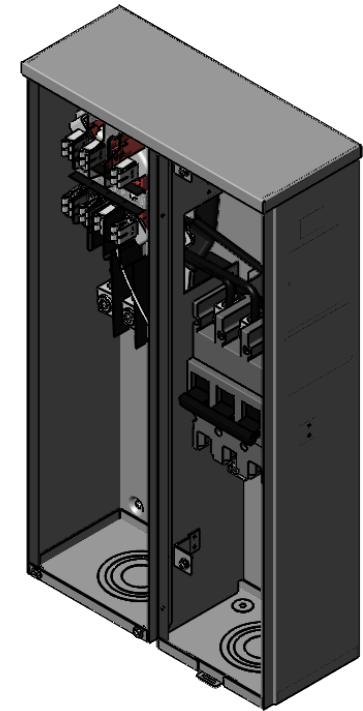
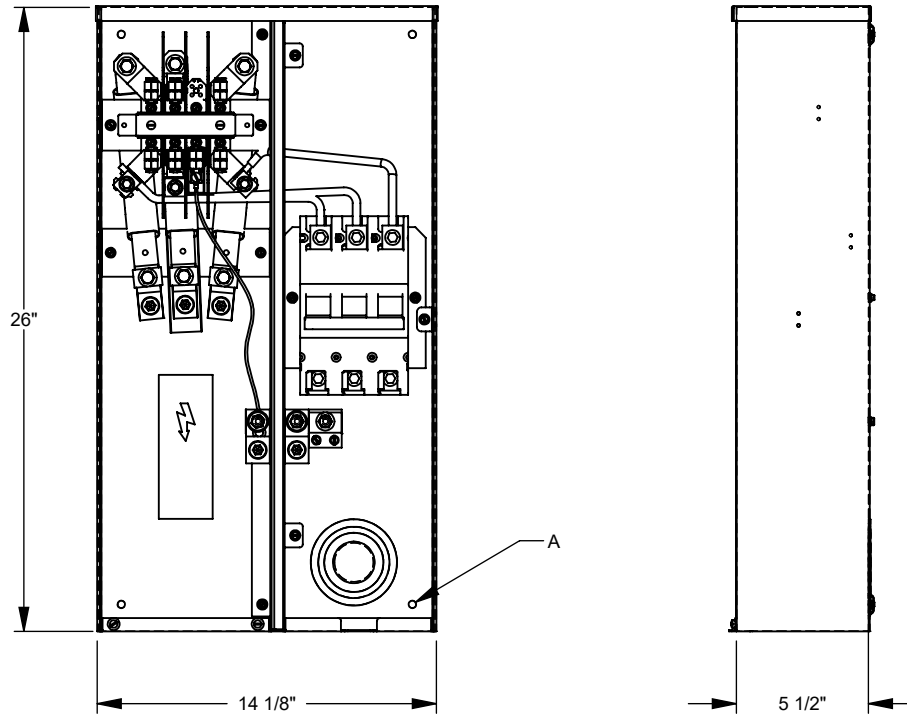
U3587-O-200



Catalog Number	U3587-O-200	Mounting	Surface Mount
Marketing Product Description	7 Terminal Ring Type Plain Top 1-200 Ampere Main Breaker	Enclosure	G90 Galvanized Steel with Powder Coat Finish
UPC	784572138667	Jaw Quantity	7 Terminal
Length (IN)	5.5	Bypass Type	No Bypass
Width (IN)	14.125	Number of Meter Positions	1 Position
Height (IN)	26	Equipment Ground	2 Barrel Ground Lug
Brand Name	Milbank	Hub Opening	Plain Top
Type	Ring Type Meter Socket	Line Side Wire Range	6 AWG - 350 kcmil
Application	Meter Socket With Main	Load Side Wire Range	1 AWG - 300 kcmil
Standard	UL Listed;Type 3R	Number Of Receptacles	0
Voltage Rating	Up to 240 Volts Alternating Current		
Amperage Rating	200 Continuous Ampere		
Phase	3 Phase		
Frequency Rating	60 Hertz		
Size	5.5L x 14.125W x 26H		
Number Of Cutouts	1		
Cutout Size	One 200 Ampere Main Breaker		
Cable Entry	Underground		
Terminal	Lay in		
Insulation	Glass Polyester		

Please consult serving utility for their requirements prior to ordering or installing, as specifications and approvals vary by utility and may require local electrical inspector approval. All installations must be installed by a licensed electrician and must comply with all national and local codes, laws and regulations. Milbank reserves the right to make changes in specifications and features shown without notice or obligation.

FEATURE TABLE		
ITEM	QTY	DESCRIPTION
A	4	STD. MNTG. EMBOSS
B	2	¼, ½ CONC. K.O.
C	3	1½, 2, 2½, 3 CONC. K.O.



Version:

1

**All dimensions are +/- 1/16".
Drawing views are not to scale.**

Please consult serving utility for their requirements prior to ordering or installing, as specifications and approvals vary by utility, and may require local electrical inspector approval. All installations must be installed by a licensed electrician and must comply with all national and local codes, laws and regulations. Milbank reserves the right to make changes in specifications and features shown without notice or obligation.