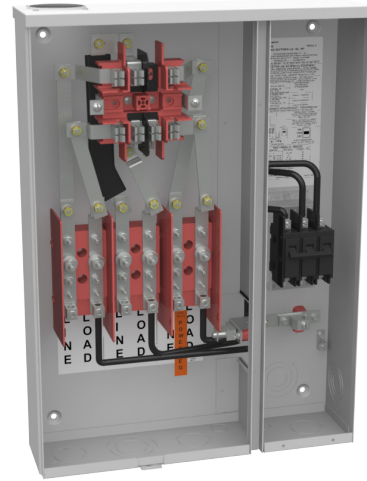




MILBANK
ENERGY AT WORK

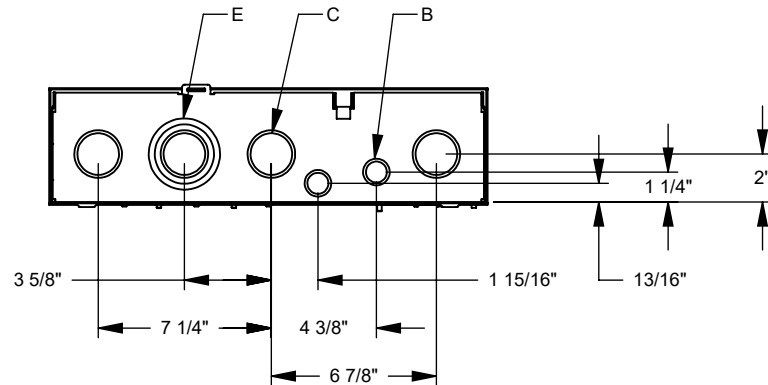
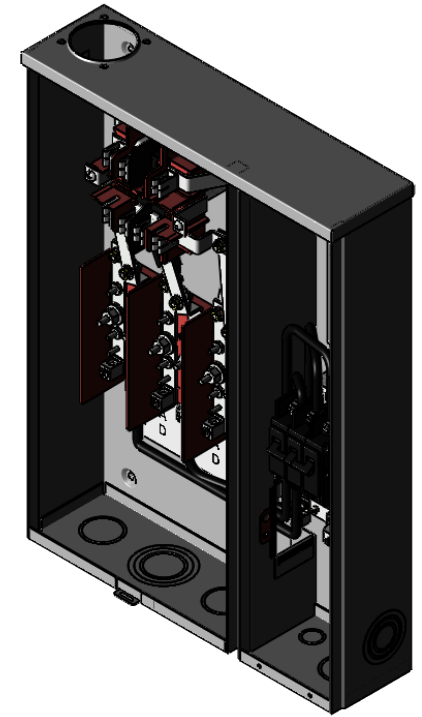
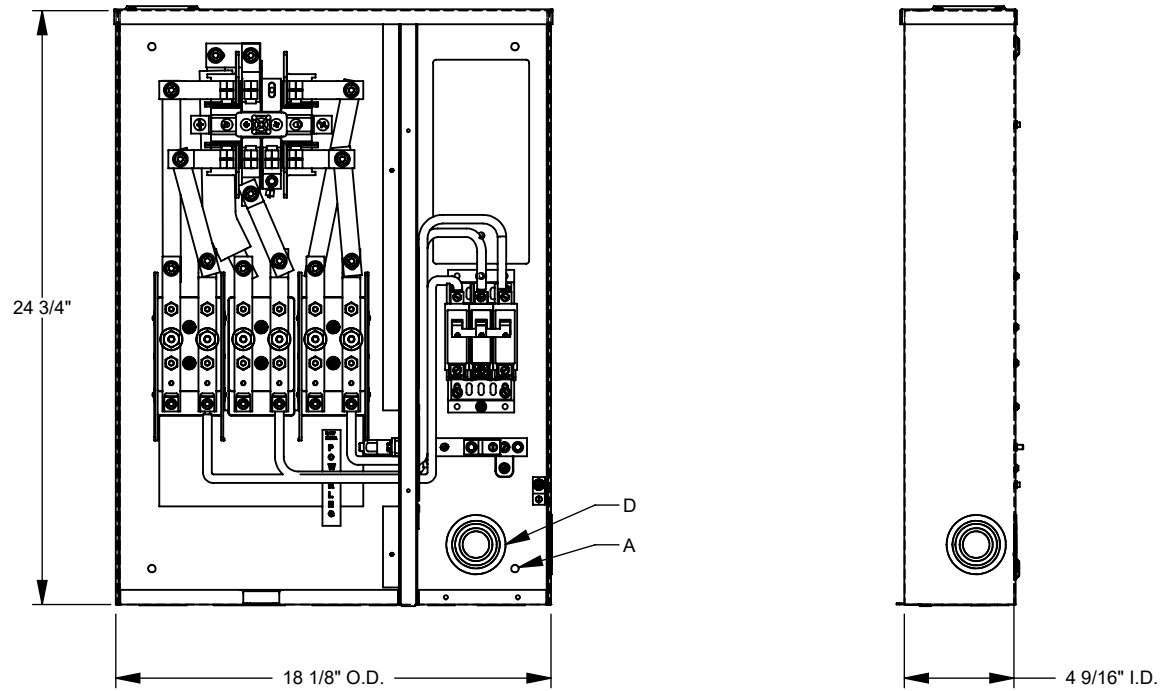
U217MTB



Catalog Number	U217MTB	Mounting	Surface Mount
Marketing Product Description	7 Terminal Ring Type Small Closing Plate Link Bypass 1-100 Ampere Main Breaker	Enclosure	G90 Galvanized Steel with Powder Coat Finish
UPC	784572134959	Jaw Quantity	7 Terminal
Length (IN)	4.625	Bypass Type	Link Bypass
Width (IN)	18.125	Number of Meter Positions	1 Position
Height (IN)	24.75	Equipment Ground	Ground Lug
Brand Name	Milbank	Hub Opening	Twin Small Closing Plates
Type	Ring Type Meter Socket	Line Side Wire Range	14 AWG - 1/0
Application	Meter Socket With Main	Load Side Wire Range	4 - 1/0 AWG
Standard	UL Listed;Type 3R	Number Of Receptacles	0
Voltage Rating	Up to 240 Volts Alternating Current		
Amperage Rating	100 Continuous Ampere		
Phase	3 Phase		
Frequency Rating	60 Hertz		
Size	4.625L x 18.125W x 24.75H		
Number Of Cutouts	1		
Cutout Size	One 100 Ampere Main Breaker		
Cable Entry	Overhead or Underground		
Terminal	Single Mechanical		
Insulation	Fiberglass with Resin		

Please consult serving utility for their requirements prior to ordering or installing, as specifications and approvals vary by utility and may require local electrical inspector approval. All installations must be installed by a licensed electrician and must comply with all national and local codes, laws and regulations. Milbank reserves the right to make changes in specifications and features shown without notice or obligation.

FEATURE TABLE		
ITEM	QTY	DESCRIPTION
A	4	STD. MNTG. EMBOSS
B	2	1/2, 3/4 CONC. K.O.
C	3	1 1/4, 1 1/2 CONC. K.O.
D	2	1, 1 1/4, 1 1/2, 2 CONC. K.O.
E	1	1 1/4, 1 1/2, 2, 2 1/2 CONC. K.O.



Version:

1

**All dimensions are +/- 1/16".
Drawing views are not to scale.**

Please consult serving utility for their requirements prior to ordering or installing, as specifications and approvals vary by utility, and may require local electrical inspector approval. All installations must be installed by a licensed electrician and must comply with all national and local codes, laws and regulations. Milbank reserves the right to make changes in specifications and features shown without notice or obligation.