



MILBANK
ENERGY AT WORK

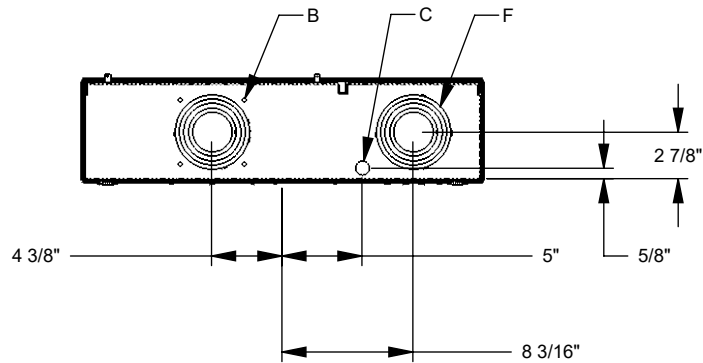
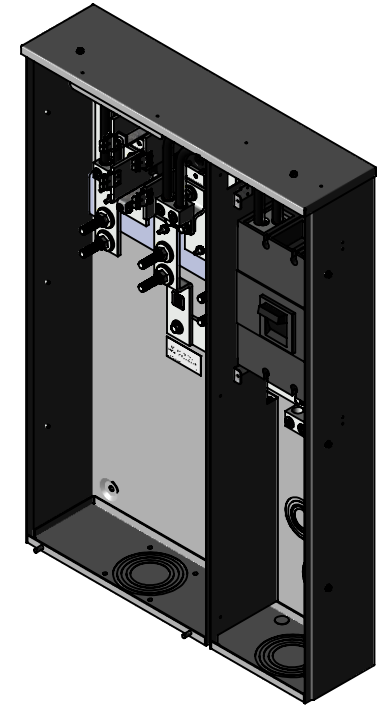
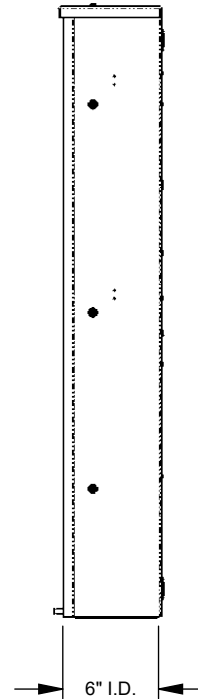
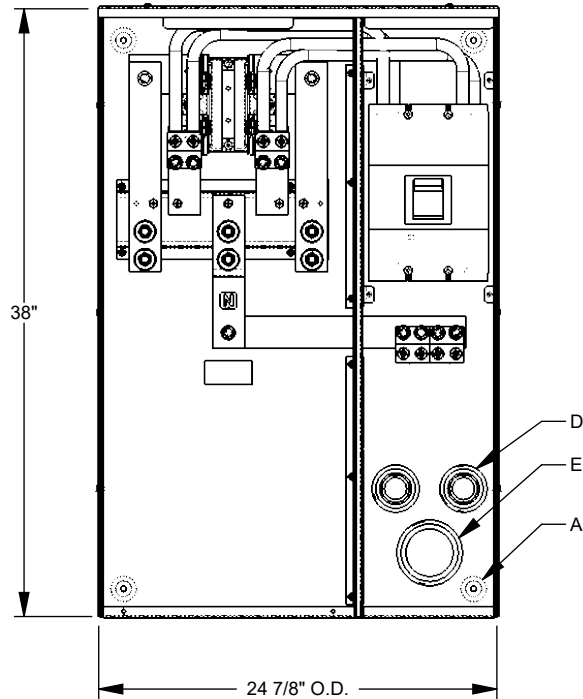
M401-UG-BS



Catalog Number	M401-UG-BS	Mounting	Surface Mount
Marketing Product Description	4 Terminal Ring Type Plain Top 1-400 Ampere Main Breaker Link Bypass	Enclosure	G90 Galvanized Steel with Powder Coat Finish
UPC	784572211865	Jaw Quantity	4 Terminal
Length (IN)	5.97	Bypass Type	Link Bypass
Width (IN)	24.88	Number of Meter Positions	1 Position
Height (IN)	38	Equipment Ground	2 Barrel Ground Lug
Brand Name	Milbank	Hub Opening	Plain Top
Type	Ring Type Meter Socket	Load Side Wire Range	3/0 AWG - 300 kcmil
Application	Meter Socket With Main	Number Branch Circuits	1
Standard	UL Listed;Type 3R	Number Of Receptacles	0
Voltage Rating	Up to 240 Volts Alternating Current		
Amperage Rating	400 Ampere		
Phase	1 Phase		
Frequency Rating	60 Hertz		
Size	5.97L x 24.88W x 38H		
Number Of Cutouts	1		
Cutout Size	One 400 Ampere Main Breaker		
Cable Entry	Underground		
Terminal	1/2 Inch Stud Line Side		
Insulation	Glass Polyester		

Please consult serving utility for their requirements prior to ordering or installing, as specifications and approvals vary by utility and may require local electrical inspector approval. All installations must be installed by a licensed electrician and must comply with all national and local codes, laws and regulations. Milbank reserves the right to make changes in specifications and features shown without notice or obligation.

FEATURE TABLE		
ITEM	QTY	DESCRIPTION
A	4	TRANS. MNTG.EMBOSS
B	4	¼ SOLID K.O.
C	1	½ SOLID K.O.
D	2	1¼, 1½, 2, 2½ CONC. K.O.
E	1	2, 2½, 3, 3½ CONC. K.O.
F	2	2, 2½, 3, 3½, 4 CONC. K.O.



Version:

1

All dimensions are +/- 1/16".
Drawing views are not to scale.

Please consult serving utility for their requirements prior to ordering or installing, as specifications and approvals vary by utility, and may require local electrical inspector approval. All installations must be installed by a licensed electrician and must comply with all national and local codes, laws and regulations. Milbank reserves the right to make changes in specifications and features shown without notice or obligation.