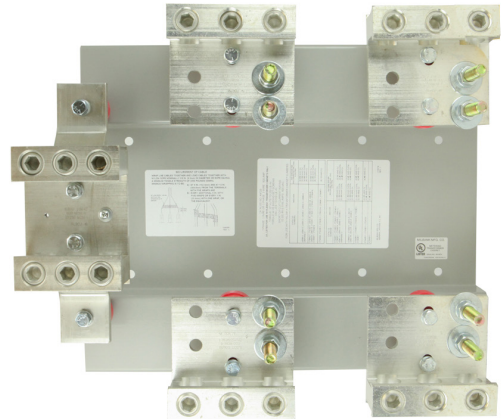




MILBANK
ENERGY AT WORK

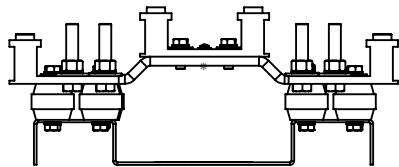
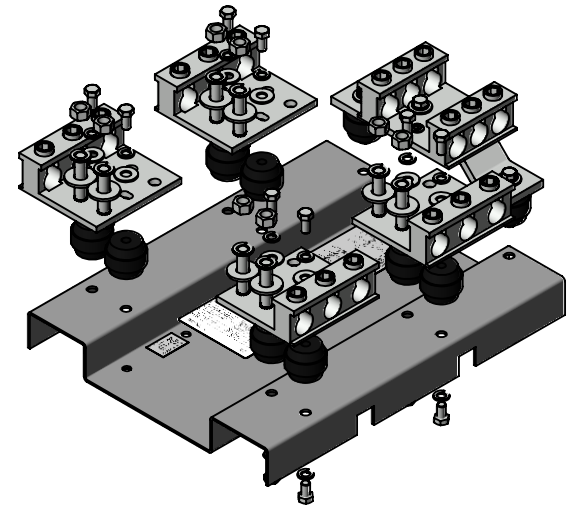
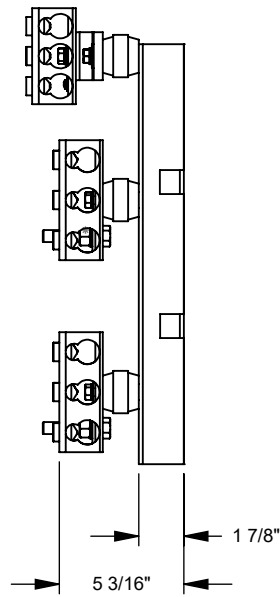
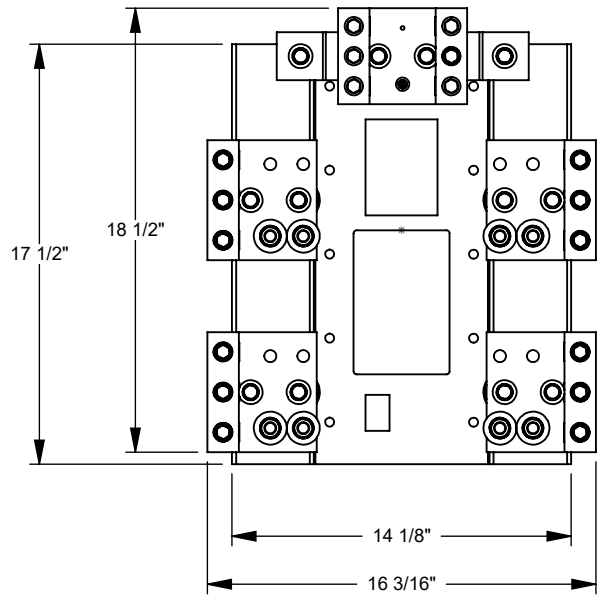


K4729

Catalog Number	K4729
Marketing Product Description	Ct Mounting Rack 800 Ampere 1phase 50k Ampere Interrupting Capacity Three 4-600kcmil Or Six 1-250kcmil EUSERC
UPC	784572239401
Length (IN)	6.313
Width (IN)	16.195
Height (IN)	19
Weight (LB)	24
Brand Name	Milbank
Type	Current Transformer Mounting Rack
Application	Current Transformer Accessory
Standard	UL Listed
Voltage Rating	600 Volts Alternating Current
Phase	1 Phase
Frequency Rating	60 Hertz
Amperage Rating	800 Ampere
Short Circuit Rating	50,000 Ampere Interrupting Capacity
Connection	Lug
Insulation	Non-Metallic
Number Of Feeders	3

Material	Plated Aluminum
Mounting	Surface Mount

Please consult serving utility for their requirements prior to ordering or installing, as specifications and approvals vary by utility and may require local electrical inspector approval. All installations must be installed by a licensed electrician and must comply with all national and local codes, laws and regulations. Milbank reserves the right to make changes in specifications and features shown without notice or obligation.



Version:

1

**All dimensions are +/- 1/16".
Drawing views are not to scale.**

Please consult serving utility for their requirements prior to ordering or installing, as specifications and approvals vary by utility, and may require local electrical inspector approval. All installations must be installed by a licensed electrician and must comply with all national and local codes, laws and regulations. Milbank reserves the right to make changes in specifications and features shown without notice or obligation.