



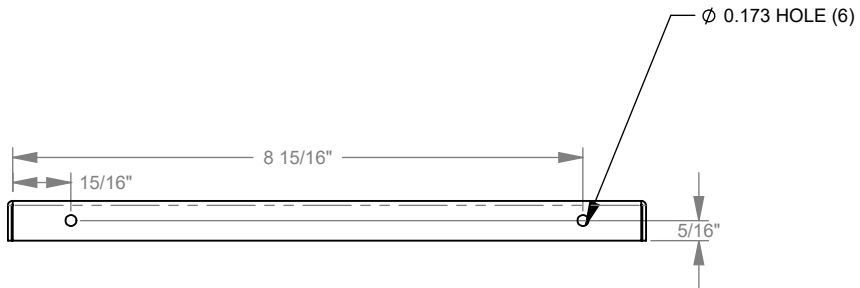
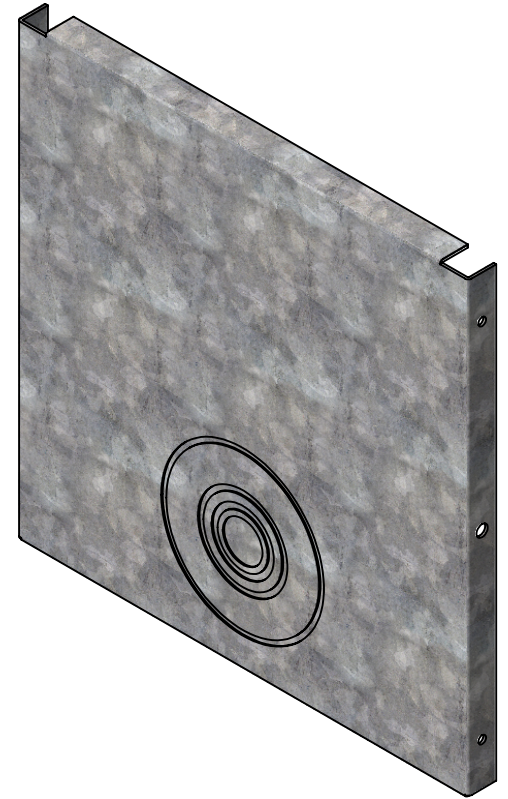
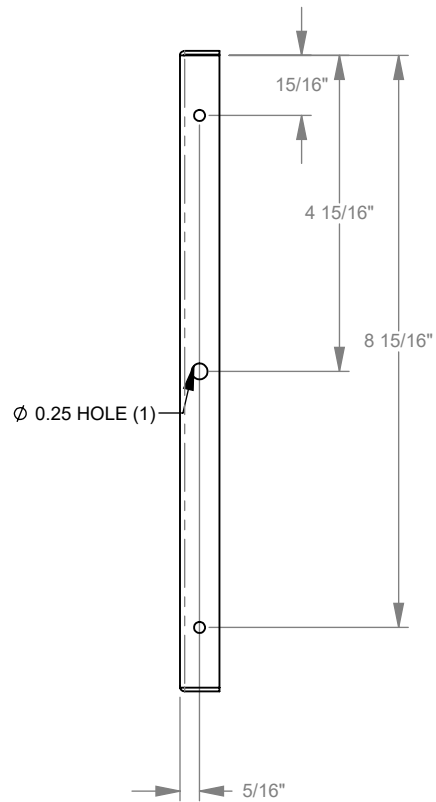
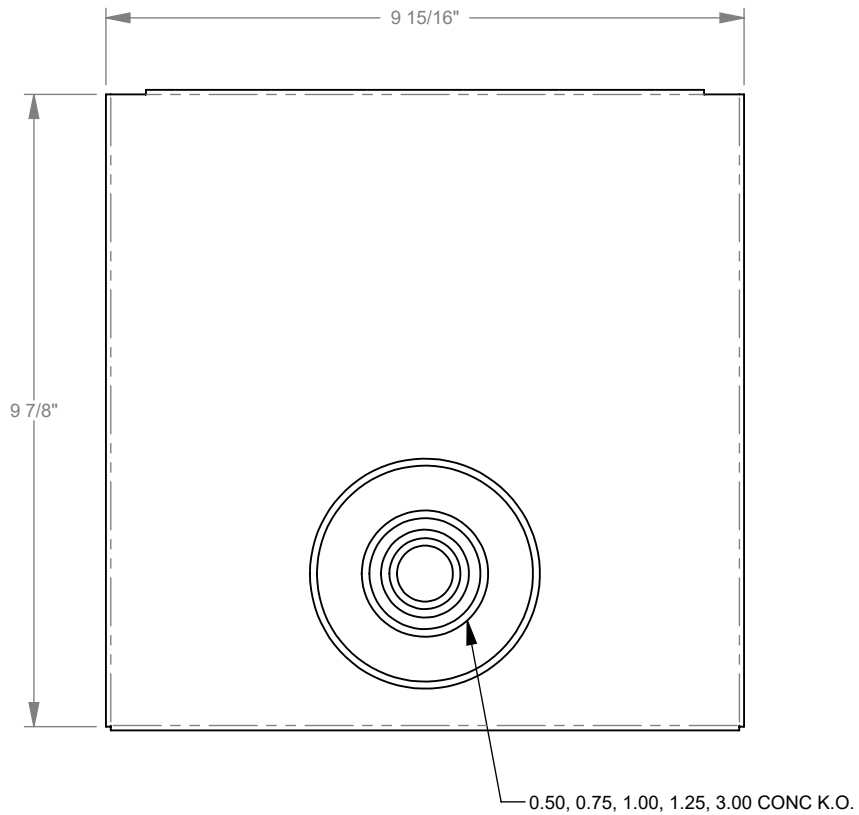
MILBANK[®]
ENERGY AT WORK



1010GE-NK

Catalog Number	1010GE-NK
Marketing Product Description	Wireway End Type 1 10x10 Screw Cover ANSI 61 Gray Steel No Knockouts
UPC	784572100497
Length (IN)	0.563
Width (IN)	10
Height (IN)	10
Weight (LB)	2.6
Brand Name	Milbank
Type	Wireway End
Application	Wireway Accessory
Standard	UL Listed
Cover Type	Screw Cover
Enclosure	Indoor Enclosure
Nominal Cross Section	10x10
Material	Steel
Finish	ANSI 61 Gray Powder Coat Finish
Consist Of	Fitting
Knockouts	False
NEMA Rating	Type 1

Please consult serving utility for their requirements prior to ordering or installing, as specifications and approvals vary by utility and may require local electrical inspector approval. All installations must be installed by a licensed electrician and must comply with all national and local codes, laws and regulations. Milbank reserves the right to make changes in specifications and features shown without notice or obligation.



MILBANK
ENERGY AT WORK

Version:

1

**All dimensions are +/- 1/16".
Drawing views are not to scale.**

Please consult serving utility for their requirements prior to ordering or installing, as specifications and approvals vary by utility, and may require local electrical inspector approval. All installations must be installed by a licensed electrician and must comply with all national and local codes, laws and regulations. Milbank reserves the right to make changes in specifications and features shown without notice or obligation.