
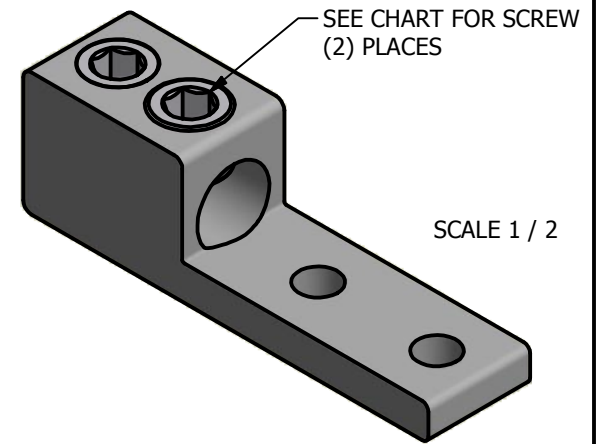
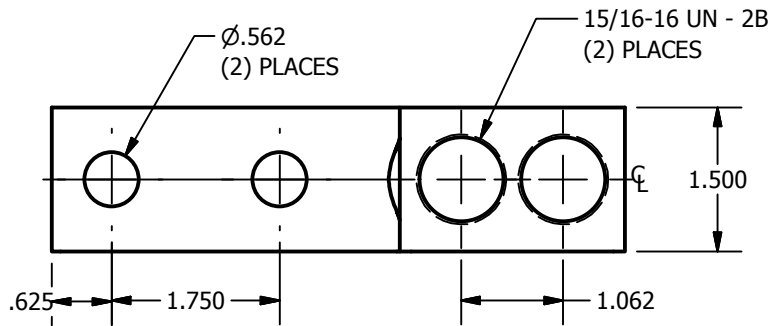



SCREW: SEE CHART	MATERIAL: ALUMINUM	REV: J		
CAT. NO.: SEE CHART	PLATING: EL-TIN/WAX	DRAWN BY: CLH	SCALE:	
INFORMATION SHEET: SEE CHART	MARKING: SEE CHART	DATE: 5/11/2007	SIZE: A	
			800-776-9775 www.ilSCO.com	
			DWG. NO. D3868	
			SHEET: 1 OF 1	



CATALOG NO.	FORM	MARKING	PLATING	SCREW
TA-800-2N	FORM 1	ILSCO, TA-800-2N, 800-300kcmil, AL9CU 	EL-TIN	E0945
USG2-750	FORM 18	UTILCO, USG2-750, 750kcmil-1/0, AL-CU	WAX	E6134
USG2-750T	FORM 18	UTILCO, USG2-750, 750kcmil-1/0, AL-CU	EL-TIN	E6134

