

SCREW: E8205, E0958, E1040

MATERIAL: NONE

REV: M

CAT. NO.: PDB-112-350-1

PLATING: NONE

DRAWN BY: CLH

SCALE:

INFORMATION SHEET: NONE

MARKING: NONE

DATE: 12/18/2007

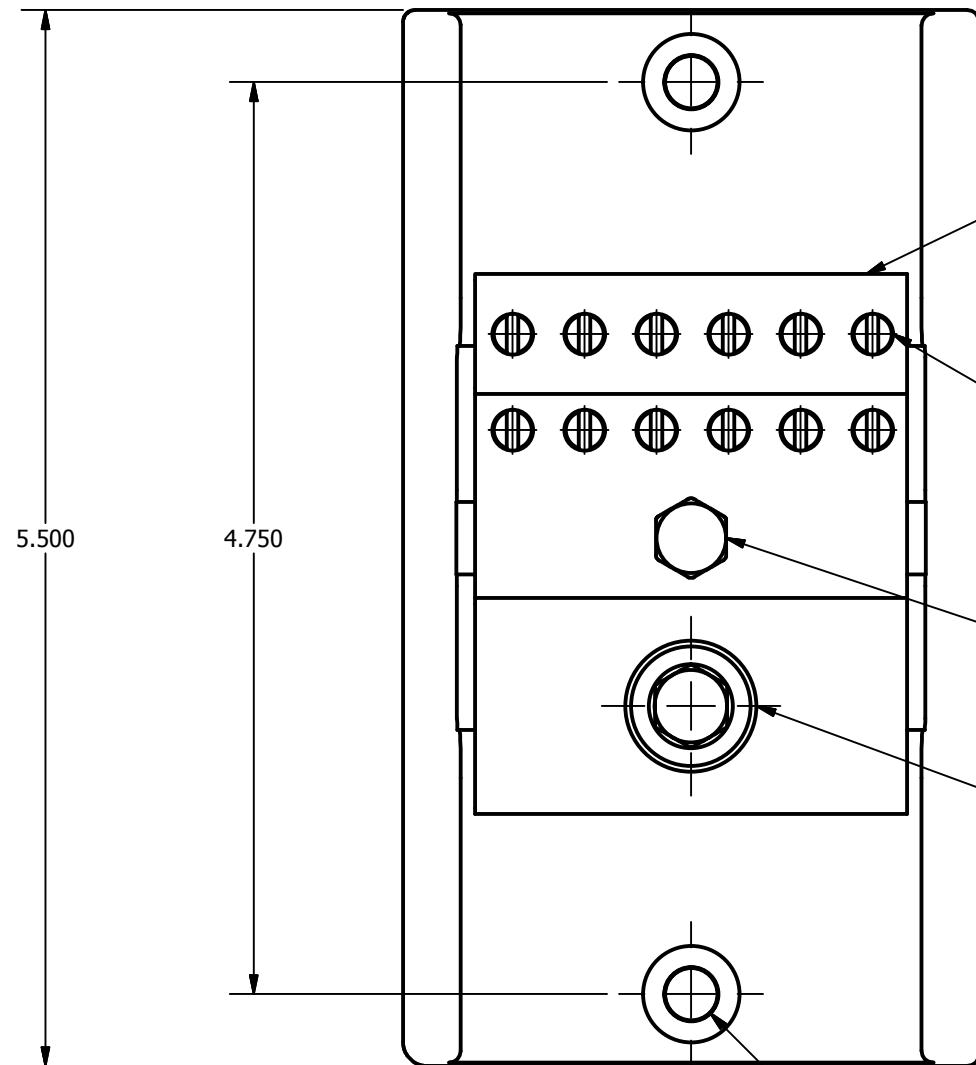
SIZE: B



DWG NO:

M2492

SHEET: 1 OF 1



D2660 CONNECTOR  
(1) PLACE

E8205 SCREW  
(12) PLACES

E0958 SCREW  
(1) PLACE

E1040 SCREW  
(1) PLACE

R0606 BLOCK  
(1) PLACE

Ø.280

