
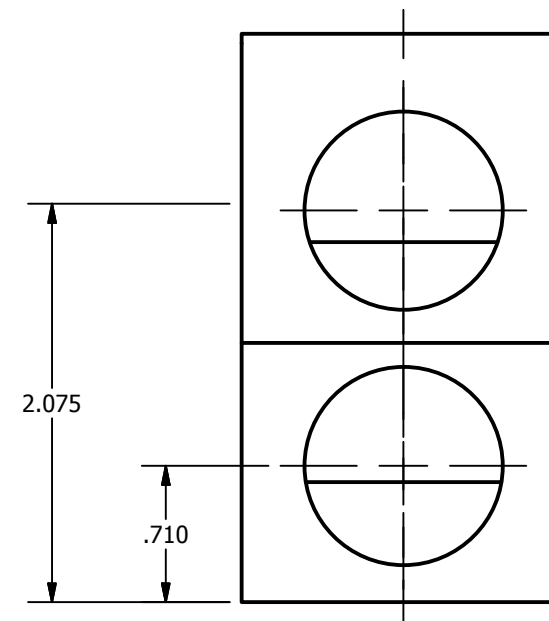
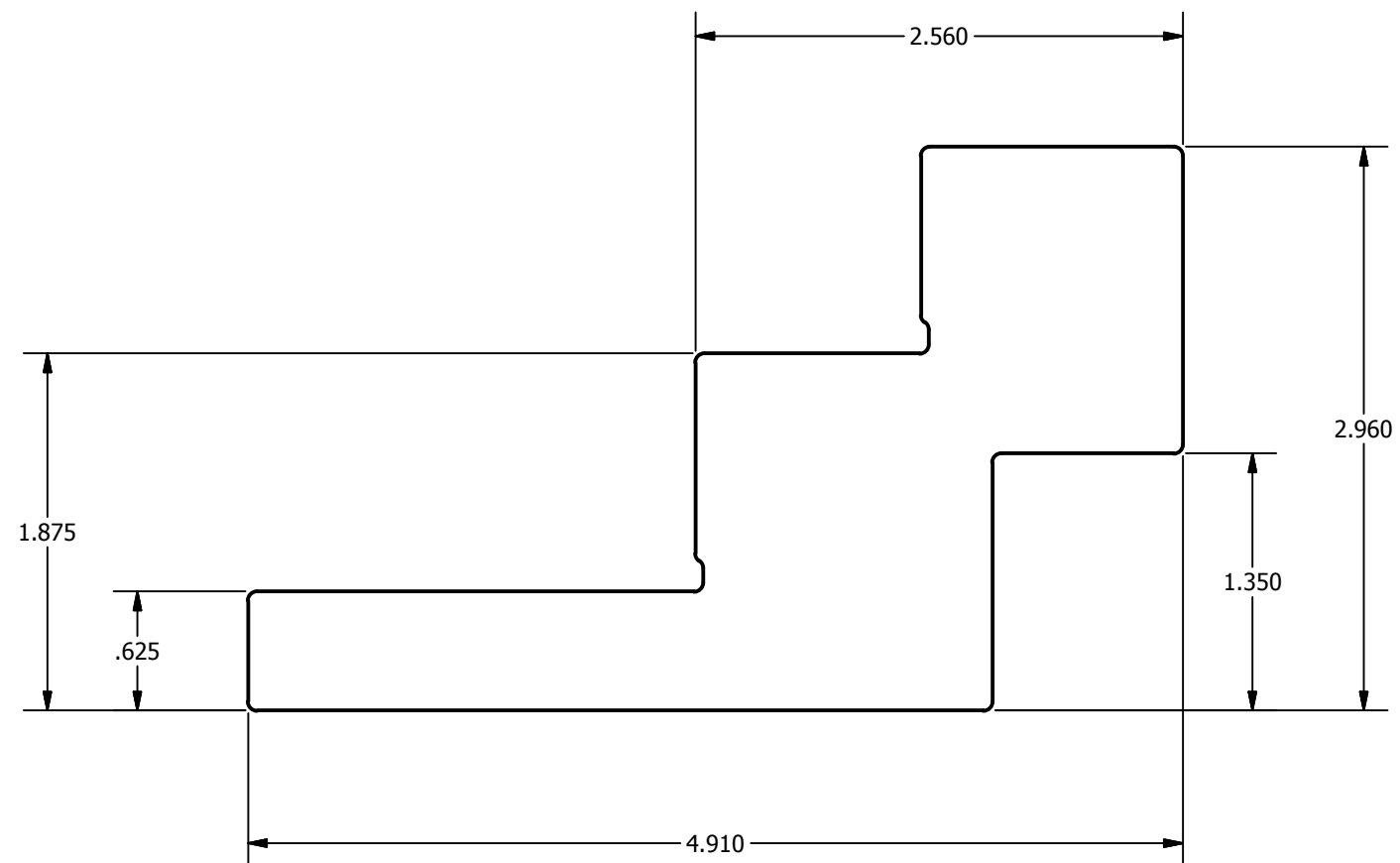
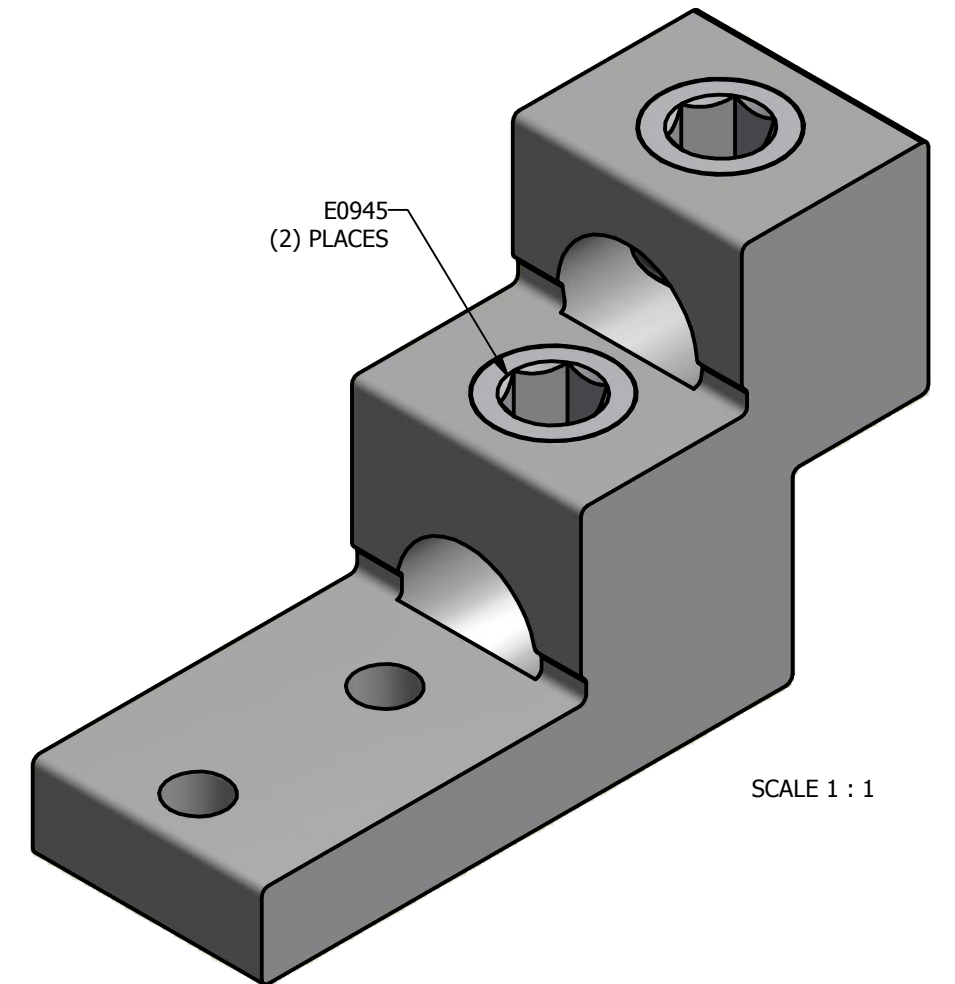
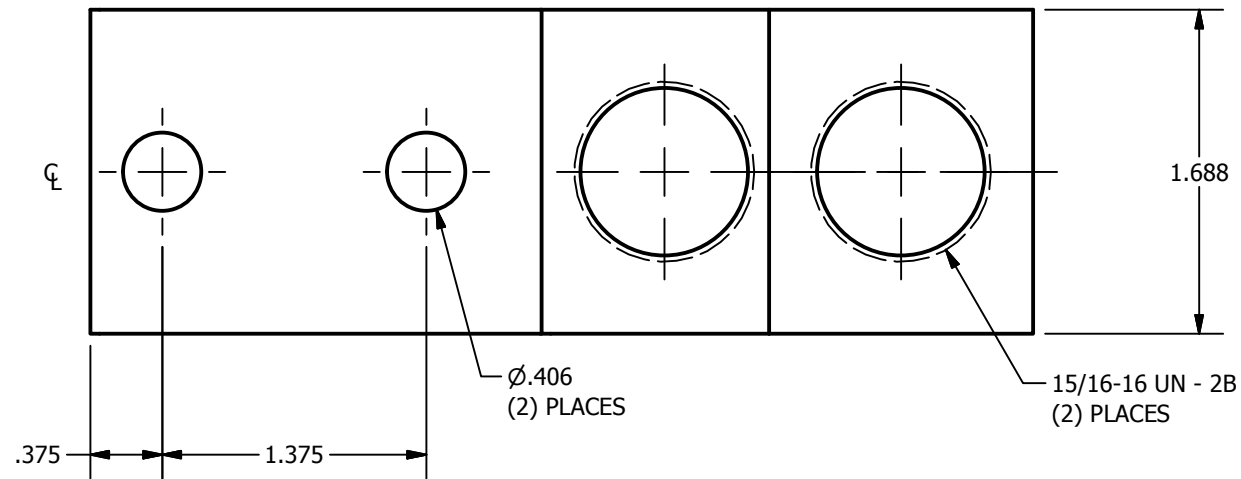


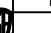


| | | | |
|------------------------------|--------------------|--------------------------|--|
| SCREW: E0945 | MATERIAL: ALUMINUM | REV: L |  800-776-9775 www.ilSCO.com |
| CAT. NO.: PB2-750 | PLATING: EL-TIN | DRAWN BY: CLH SCALE: 1:1 | |
| INFORMATION SHEET: SEE CHART | MARKING: SEE CHART | DATE: 4/16/2008 SIZE: B | |
| | | | DWG NO: D3709 |
| | | | SHEET: 1 OF 1 |



| | |
|---|---------|
| MARKING | FORM |
| BKB, ASL7522, 750MCM-1/0, AL9CU,  | FORM 96 |
| ILSCO, D3709, PB2-750, 750MCM-1/0, AL9CU,   | FORM 1 |