

SCREW: E1227, E8205, E1040  
 CAT. NO.: LDB-112A-350  
 INFORMATION SHEET: FORM 48

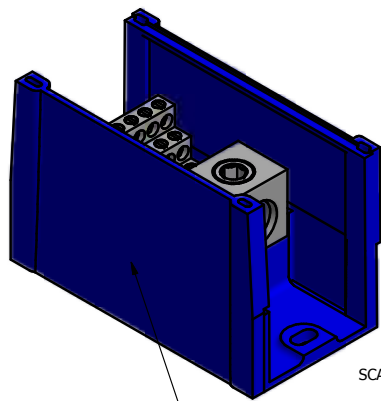
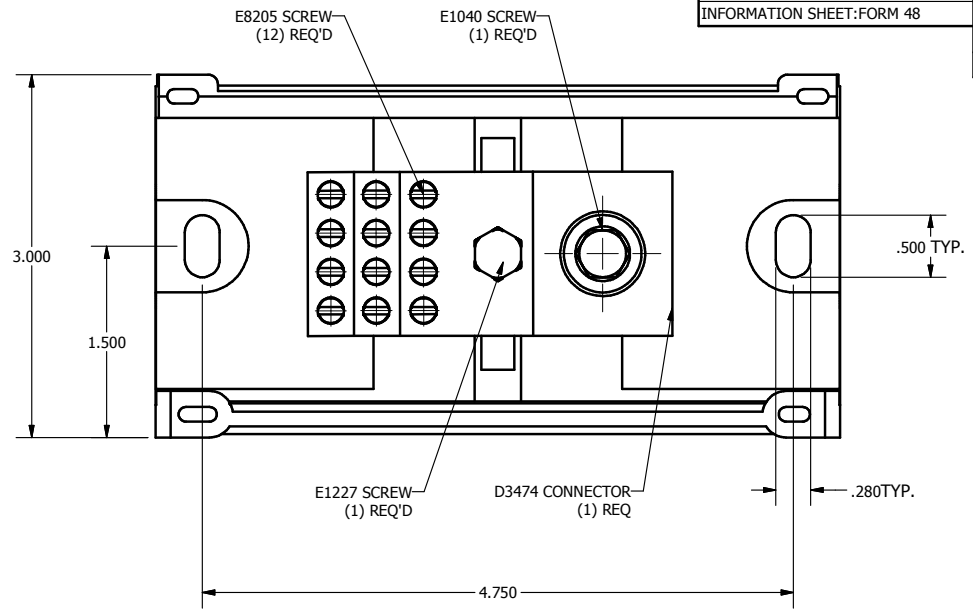
MATERIAL: NONE  
 PLATING: NONE  
 MARKING: NONE

REV: G  
 DRAWN BY: CLH  
 DATE: 12/18/2007

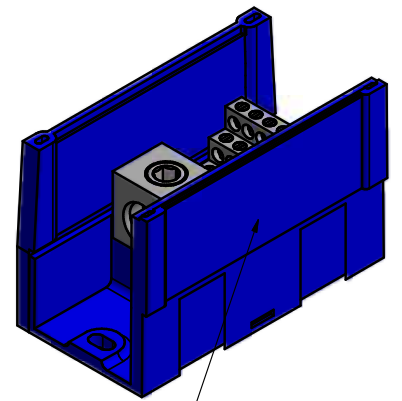
SCALE:  
 SIZE: B



DWG NO: M4060  
 SHEET: 1 OF 1



SCALE 1 / 2



R0852C00A  
 BLOCK  
 (1) REQ'D  
 PLACE LABEL  
 HERE

