

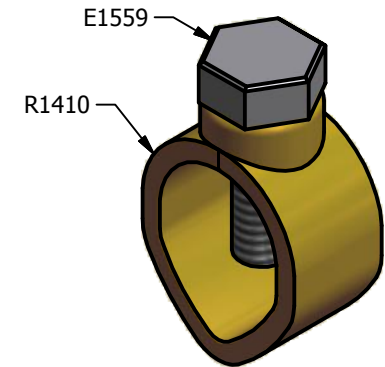
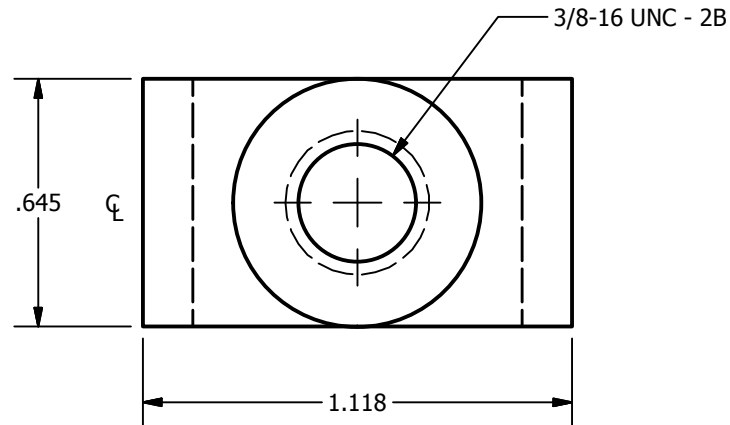


SCREW: E010914-92	MATERIAL: BRASS	REV: D	 800-776-9775 www.ilsco.com
CAT. NO.: CGRC-68	PLATING: NONE	DRAWN BY: DR SCALE: 2 : 1	
INFORMATION SHEET: NONE	MARKING: 3/4, ILSCO, CGRC68, 2-10, DIRECT BURIAL	DATE: 4/7/2014 SIZE: A	
			DWG. NO. R1410 SHEET: 1 OF 1



SCALE 1 : 1

