
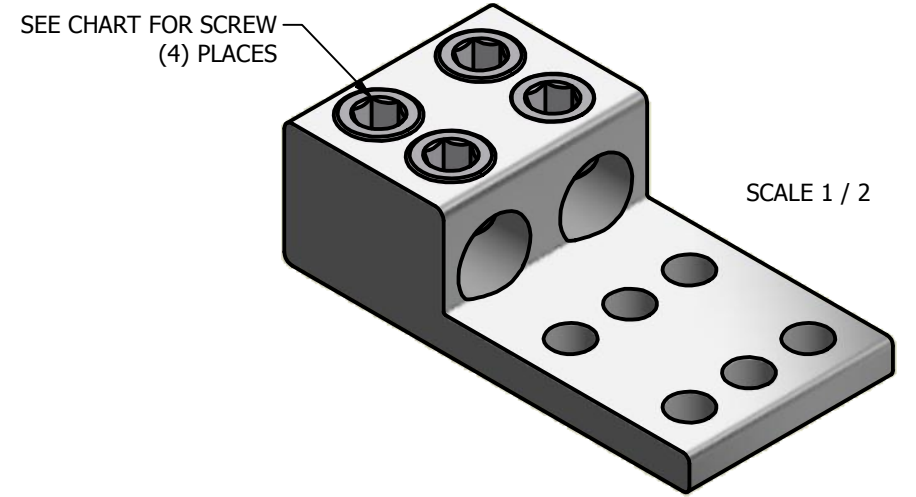
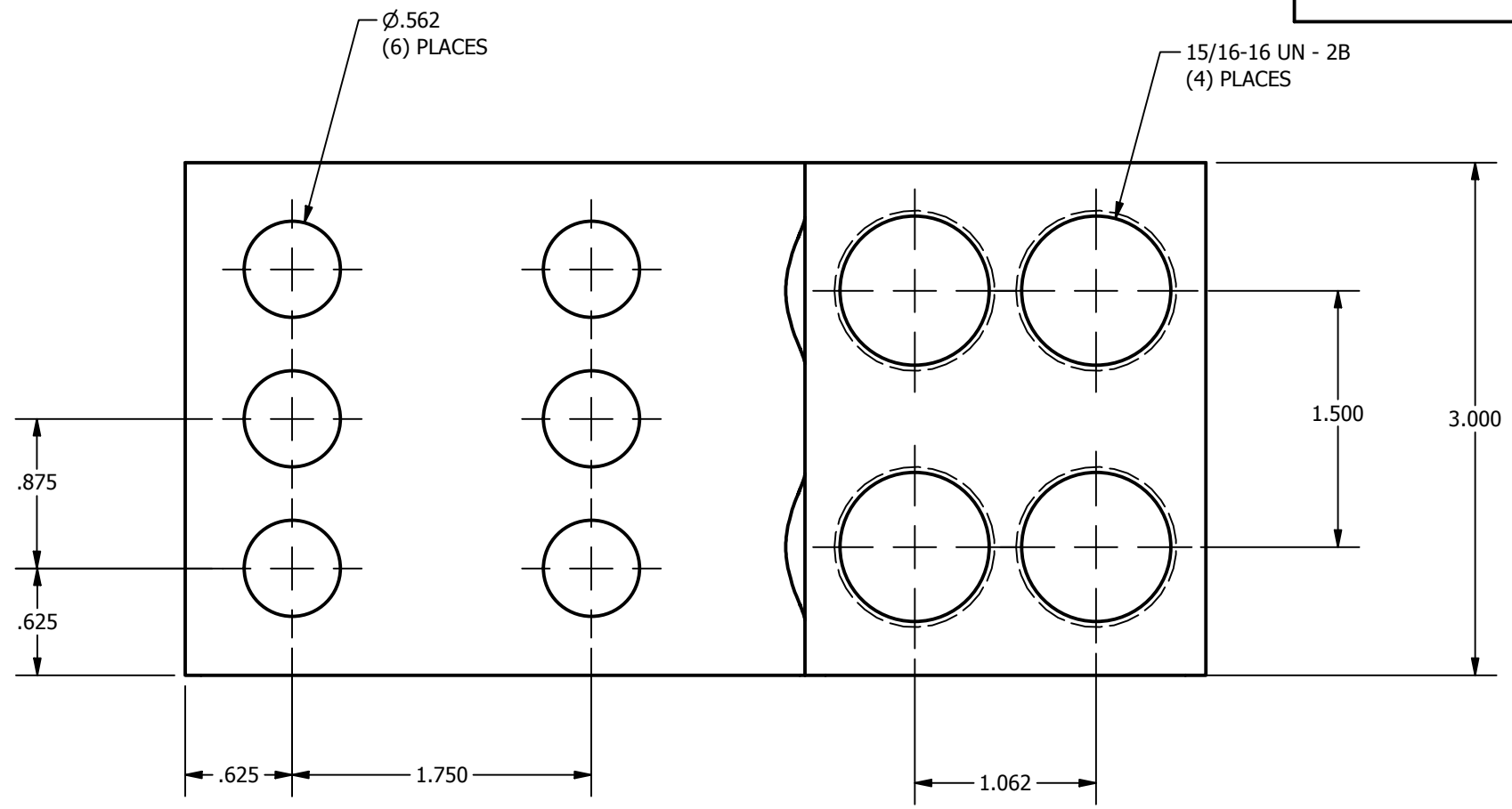

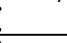




SCREW: SEE CHART	MATERIAL: ALUMINUM	REV: H	 800-776-9775 www.ilSCO.com
CAT. NO.: SEE CHART	PLATING: SEE CHART	DRAWN BY: CLH SCALE: 1:1	
INFORMATION SHEET: SEE CHART	MARKING: SEE CHART	DATE: 5/11/2007 SIZE: B	
			DWG NO: D3869
			SHEET: 1 OF 1



CATALOG NO.	FORM	MARKING	PLATING	SCREW
AU-800-2N	FORM 1	ILSCO, AU-800-2N, 800-300kcmil, AL9CU  	EL-TIN	E0945
USG2-750C42	FORM 18	UTILCO, USG2-750C42, 750kcmil-1/0, AL-CU	WAX	E6134
ADR8022D	FORM 96	BKB, ADR 8022D, 800-300kcmil, AL9CU  	EL-TIN	E0945

