



Bullhorn bracket safely supports HID floodlights. Great with Floodzilla, Megaflood and Flexflood models.

Color: Bronze

Weight: 42.8 lbs

Project:

Type:

Prepared By:

Date:

## Technical Specifications

### Other

#### Description:

Bullhorns fit 2 3/8" (6cm) O.D. tenons and accommodate 2 3/8" (6cm) slip fitters Bullhorn bracket safely supports four floodlights each up to 77 pounds & each with max 2.5 EPA per arm includes (4) 3/8" bolts for securing to pole.

#### Patents:

The designs of fixtures are protected under U.S. and international intellectual property laws.

#### Buy American Act Compliance:

RAB values USA manufacturing! Upon request, RAB may be able to manufacture this product to be compliant with the Buy American Act (BAA). Please contact customer service to request a quote for the product to be made BAA compliant.

### Construction

#### Compatibility:

RAB Megaflood, Floodzilla and Flexflood models

#### Finish:

Formulated for high durability and long-lasting color

#### Bracket EPA:

3.3.

### Weight:

43 lbs

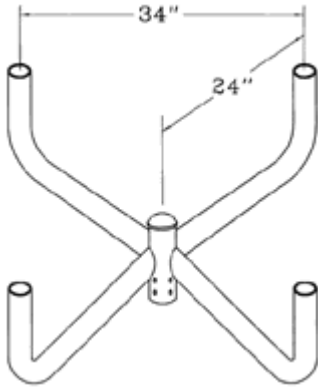
#### Maximum Weight Capacity:

77 lbs. per arm.

#### EPA Maximum Capacity:

2.5 per arm.

## Dimensions



## Features

- Easy, secure floodlight mounting
- Double Reinforced weld joints