



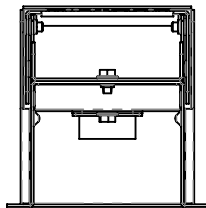
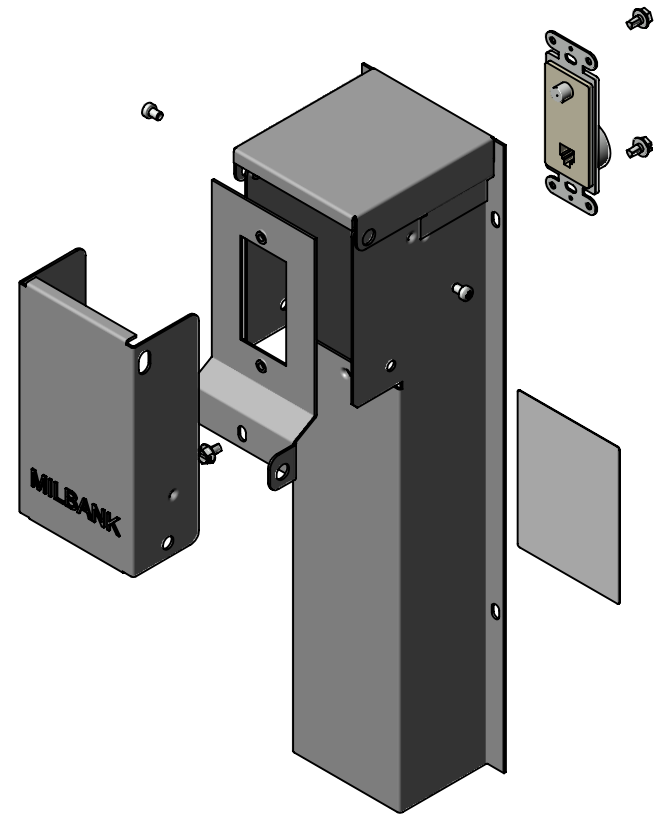
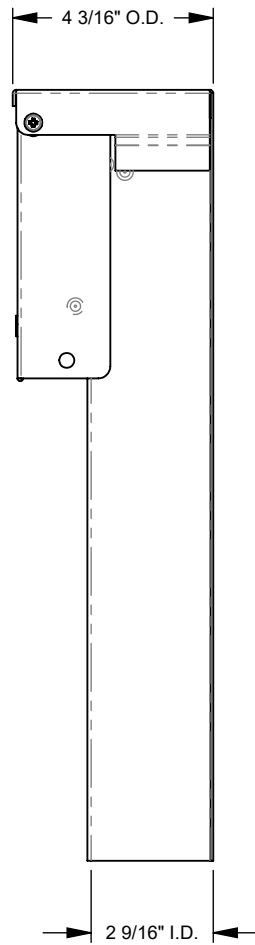
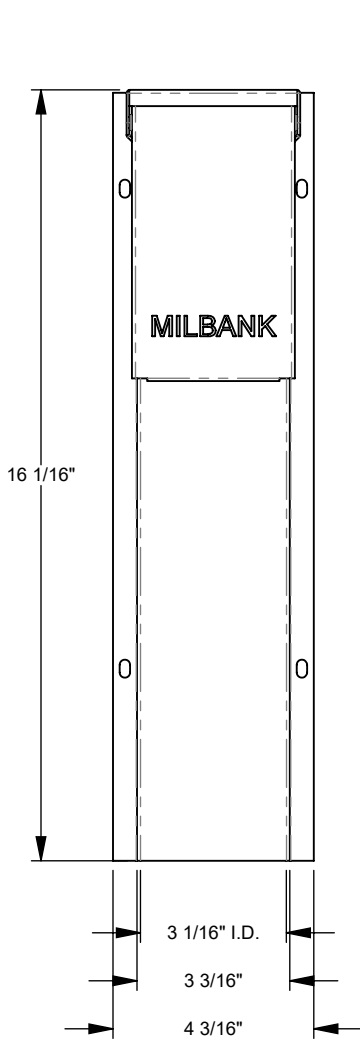
MILBANK[®]
ENERGY AT WORK

K4709-02-3R



Catalog Number	K4709-02-3R
Marketing Product Description	Communication Raceway Kit Millennium Cable And Telephone While In Use Cover Included
UPC	784572322431
Length (IN)	2.563
Width (IN)	4.188
Height (IN)	16
Weight (LB)	3.9
Brand Name	Milbank
Type	Cover
Application	RV or Mobile Home Accessory
Standard	UL Listed
Cover Type	Screw Cover Vertical Mounting
Enclosure	No Enclosure
Material	G90 Galvanized Steel
Finish	ANSI 61 Gray Powder Coat Finish
Consist Of	Screws
Knockouts	False
NEMA Rating	No Rating

Please consult serving utility for their requirements prior to ordering or installing, as specifications and approvals vary by utility and may require local electrical inspector approval. All installations must be installed by a licensed electrician and must comply with all national and local codes, laws and regulations. Milbank reserves the right to make changes in specifications and features shown without notice or obligation.



MILBANK
ENERGY AT WORK

Version:

1

**All dimensions are +/- 1/16".
Drawing views are not to scale.**

Please consult serving utility for their requirements prior to ordering or installing, as specifications and approvals vary by utility, and may require local electrical inspector approval. All installations must be installed by a licensed electrician and must comply with all national and local codes, laws and regulations. Milbank reserves the right to make changes in specifications and features shown without notice or obligation.