



UPC: 192552005333

Color: Clear

Weight: 0.1 lbs

| | |
|--------------|-------|
| Project: | Type: |
| Prepared By: | Date: |

Technical Specifications

Performance

Product Type:

A-Line

Input Wattage:

13.5W

Lumens:

1,600lm

Efficacy:

118.5lm/W

L70 Lifespan:

15,000-Hour LED lifespan based on IES LM-70 results

Wattage Equivalency:

100W Incandescent

Compliance

Enclosed Fixtures:

Suitable for use in enclosed fixtures

LED Characteristics

Color Temperature:

3000K

Color Accuracy (CRI):

>90 CRI

Beam Angle:

360°

Electrical

Power Factor:

>0.7

Dimmable:

Yes

Flicker:

<30%

Operating Temperature:

-20°C to 45°C (-4°F to 113°F)

Input Voltage:

120V

Operating Frequency:

50/60Hz

Construction

Bulb Shape:

A19

Endcap Material:

Nickel-Aluminum

Enclosure Material:

Glass

Installation

Base Type:

E26 Edison

Other

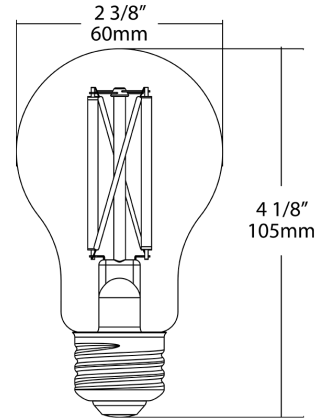
3-Year, No-Compromise Warranty:

RAB warrants that our LED products will be free from defects in materials and workmanship for a period of three (3) years from the date of delivery to the end user, including coverage of light output, color stability, driver performance and fixture finish. RAB's warranty is subject to all terms and conditions found at rablighting.com/warranty.

Case and Pallet Dimensions

| | QTY | LENGTH (in) | WIDTH (in) | HEIGHT (in) |
|--------|------|-------------|------------|-------------|
| CASE | 12 | 10.8 | 8.1 | 11 |
| PALLET | 1080 | 44.09 | 38.74 | 26.67 |

Dimension



Features

- Replacement for conventional decorative lamps
- Filament LED construction gives a unique traditional look and feel for decorative and ambient applications
- Produces rich and vibrant colors, >90CRI
- Rated for use in enclosed and open fixtures in dry and damp locations
- Longer lifespan compared to legacy equivalents minimizes replacement and maintenance costs
- Title 20 Compliant, ENERGY STAR Compliant, UL Listed
- Smooth uniform dimming down to 10% (See Dimmer Compatibility List)

Ordering Matrix

| Family | Wattage | Base Type | CRI/Color Temp | Type | Finish |
|--------|--|-----------|--|--------------|--------------------------|
| A19 | 13 | E26 | 930 | F | C |
| | 5 = 5W 9 = 9W 10 = 10W 13 = 13W | E26 = E26 | 950 = 90 CRI, 5000K 940 = 90 CRI, 4000K 930 = 90 CRI, 3000K 927 = 90 CRI, 2700K | F = Filament | C = Clear F = Frosted |