

SP-5B41 Open Box Module



Features:

- Enhanced maintenance process.
- New modular design
- Change screen size with easy "snap-on box module"
- Programmable with GP Pro EX v4.07 or greater, BLUE Open Studio, or BLUE
- Enhanced Connectivity: 2 Ethernet ports, 2 COM ports, 3 Type A USB ports, 1 mini USB

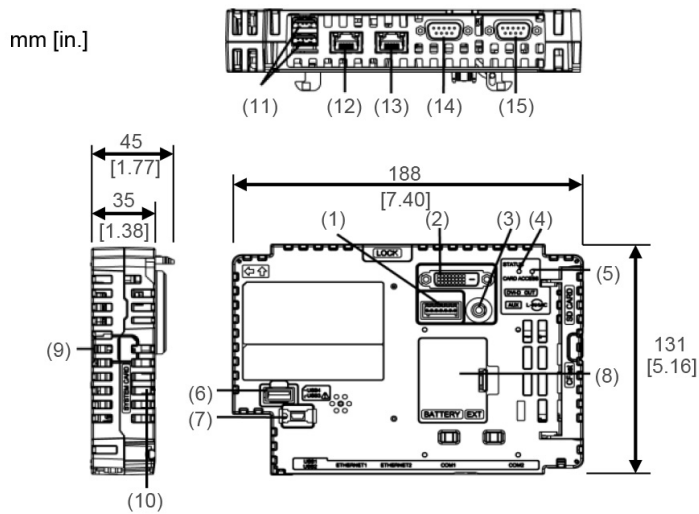
Performance Specifications

Models	SP-5B41 Open Box	
Part Number	PFXSP5B41	
Operating System	Windows® Embedded Standard 7 with Service Pack 1	
CPU	Intel Atom Processor E3825 1.3GHZ Dual core/Dual thread	
Main Memory	DDR3 SDRAM 2 GB	
Main Storage Memory	256 MB Video Memory 32 GB CFast Card, Free space about 17 GB	
Backup Memory	NVRAM 320 KB	
Interfaces	Serial	COM1 RS-232C/422/485, Data Length: 7 or 8 bits Stop Bit: 1 or 2 bits Parity: None, odd, or even. Data Transmission Speed: 2,400(1,200)...115,200 bps COM2 Connector: D-Sub 9 pin (plug)
	Ethernet	Standard: IEEE802.3i/IEEE802.3u/IEEE802.3ab, 10BASE-T/100BASE-TX/1000BASE-T Connector: Modular jack (RJ-45) x 2
	USB	Type A (V2.0) x3, Mini B (V2.0) x 1
	SD Card	SD Card Slot (Storage) x 1
	CFast Card	CFast Card Slot (System) x 1, CFast Card Slot (Storage) x 1
	Video Output	DVI-D OUT Connector: DVI-D 24 pin (socket) x 1
	Audio Output	Speaker Output: 300mW (Rated Load: 8Ω, Frequency : 1kHz) LINE Output: Rated load: 10kΩ or more Connector: 2-piece terminal block (AUX) x 1

General Specifications

Input Voltage	12Vdc (Supply from Display Module)
Power Consumption	25W (max), 15W or less (when power is not supplied to external devices)
Surrounding Air Temperature	0...60 °C [32...140 °F]
Storage Temperature	- 20 to +60 °C (- 4 to +140 °F)
Certifications	UL 61010-1 & UL61010-2-201, CSA-C22.2 No.61010-1 & CSA-C22.2 No.61010-2-201, CE, RoHS, GOST-R
Ratings	UL/CSA Class 1 Div 2 Group A,B,C and D, CSA C22.2No213, ANSI/ISA 12.12.01, EN61000-6-4, EN61000-6-2, Class 1 Div 2 Groups A, B, C and D, IP65, Standard EN/IEC 61131-2
Surrounding Air and Storage Humidity	10%...90% RH (Non condensing, wet bulb temperature / 39°C [102.2 °F] or less)
Dust	0.1 mg/m3 (10-7 oz/ft3) or less (non-conductive levels)
Pollution Degree	For use in Pollution Degree 2 environment
Corrosive Gas	Free of corrosive gases
Atmospheric Pressure (Operating Altitude)	800...1,114 hPa (2,000 m [6,561 ft] or lower)
Vibration Resistance	IEC/EN 61131-2 compliant / 5...9 Hz Single amplitude 3.5 mm (0.14 in.) / 9...150 Hz Fixed acceleration: 9.8 m/s2 / X, Y, Z directions for 10 cycles (approx. 100 min.)
Shock Resistance	IEC/EN 61131-2 compliant / 147 m/s2, X, Y, Z directions for 3 times
Electrostatic Discharge Immunity	Contact Discharge Method: 6 kV (IEC/EN 61000-4-2 Level 3)
Weight	0.9kg [1.98lb] or less
External Dimensions	W188 x H131 x D45m [W7.4 x H5.16 x D1.77 in.]

External Dimensions — SP-5B41

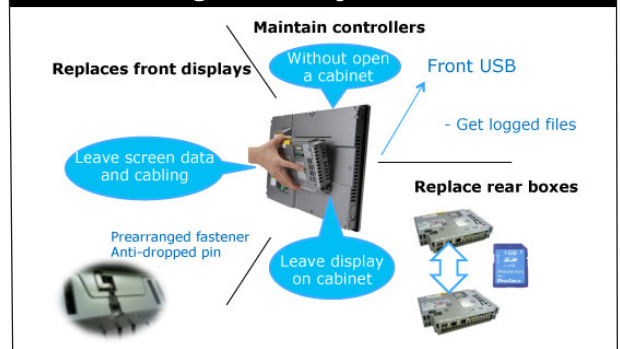


- (1) Auxiliary Output/Speaker Output Interface (AUX) (2) DVI-D Output Interface (3) AUDIO Input Interface (LIN/MIC) (4) Status LED (5) Card Access LED (6) USB (Type A) Interface (7) USB (mini-B) Interface (8) Expansion Unit Interface Cover (EXT) (9) Storage Card Cover (10) System Card Cover (11) USB (Type A) Interface (12) Ethernet Interface (ETH1) (13) Ethernet Interface (ETH2) (14) Serial Interface (COM1) (15) Serial Interface (COM2)

Options

Part Number	Product Name	Description
PFXZCDCNAUX1	AUX Connector	AUX connector required in case an external output is used (5 pcs/set).
PFXZCSD1GC61	SD Memory Card (1 GB)	SD Memory Card (1 GB, SLC, Class 6) for System Card
PFXZCDSCCFA162	CFast Card	16 GB
PFXZCDSCCFA321	CFast Card	32 GB
PFXSP5B41S8B	Bundle	Preinstalled BLUE Open Studio Runtime v8.1 SP2 (Trial)
PFXCDAEXP1	Adapter	Adapter that attaches to the SP5000 Series Box Module to supply power to the Box Module
PFXZSPATWM1	Adapter	Wall Mount Adapter for Multi-Converter

Modular Design and Easy Maintenance



Model Number Configuration - Combine a Box Module and Display Module

Display Module

PFXSP5 * * * * DF0 *

(1) (2) (3) (4) (5) (6) (7)

(1) Size	(2) Wireless LAN	(3) Resolution	(4) Touch Panel	(5) Power Supply	(6) Front Color	(7) Coating
8 19"	60 Yes	T TFT	C Projected Capacitive (5 points multi-touch)	D DC	F0 Silver (No Change)	C Coated
7 15"	00 -	W Wide TFT	P Resistive Film (analog, 2 points multi-touch)			- Not Coated
6 12"			A Resistive Film (analog, single-touch)			
5 10"						
4 7"						

Coated models are also available as a customized product.



Box Module

PFXSP5 B * * *

(1) (2) (3)

(1) Module Type	(2) Class	(3) Coating
B Box	41 Open	F0C Coated
	10 Power	- Not Coated

*Coated models are also available as a customized product.



California Proposition 65 Warning—Lead and Lead Compounds

Advertencia de la Proposición 65 de California—Plomo y compuestos de plomo

Avertissement concernant la Proposition 65 de Californie—Plomb et composés de plomb

⚠ WARNING: This product can expose you to chemicals including lead and lead compounds, which are known to the State of California to cause cancer and birth defects or other reproductive harm. For more information go to: www.P65Warnings.ca.gov.

⚠ ADVERTENCIA: Este producto puede exponerle a químicos incluyendo plomo y compuestos de plomo, que es (son) conocido(s) por el Estado de California como causante(s) de cáncer y defectos de nacimiento u otros daños reproductivos. Para mayor información, visite : www.P65Warnings.ca.gov.

⚠ AVERTISSEMENT: Ce produit peut vous exposer à des agents chimiques, y compris plomb et composés de plomb, identifiés par l'État de Californie comme pouvant causer le cancer et des malformations congénitales ou autres troubles de l'appareil reproducteur. Pour de plus amples informations, prière de consulter: www.P65Warnings.ca.gov.

All trademarks are the property of Schneider Electric SE, its subsidiaries, and affiliated companies.

Schneider Electric USA, Inc.
800 Federal Street
Andover, MA 01810 USA
888-778-2733
www.schneider-electric.us

Todas las marcas comerciales son propiedad de Schneider Electric SE, sus filiales y compañías afiliadas.

Importado en México por:
Schneider Electric México, S.A. de C.V.
Av. Ejercito Nacional No. 904
Col. Palmas, Polanco 11560 México, D.F.
55-5804-5000
www.schneider-electric.com.mx

Toutes les marques commerciales sont la propriété de Schneider Electric SE, ses filiales et compagnies affiliées.

Schneider Electric Canada, Inc.
5985 McLaughlin Road
Mississauga, ON L5R 1B8 Canada
800-565-6699
www.schneider-electric.ca