



# Centium T8 Instant Start

## CENTIUM ELE BALLAST (3) F32T8 120-277V

Reliable and energy efficient Philips Advance's Centium commercial grade specifications, plus added benefits of lamp striation reduction technology.

### Product data

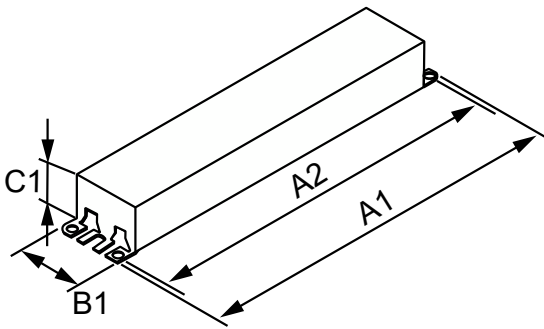
| General Information           |                        | Wiring                                   |                          |
|-------------------------------|------------------------|--|--------------------------|
| Lamp Type                     | F32T8                  | Color Input Terminals                    | No terminals             |
| Number of Lamps               | 2/3 piece/unit         | Color Output Terminals                   | No terminals             |
| Ballast Type                  | Electronic Fluorescent | Wire Striplength                         | 0.50/0.375 mm            |
| Base Model                    | ICN3P32N               | Lamp Connection                          | Parallel                 |
| Suitable For Outdoor Use      | Yes                    | Wire Length by Color                     | See data sheet           |
| Automatic Restart             | Yes                    | Wire Gauge (Nom)                         | 18AWG mm                 |
|                               |                        | Wire Type                                | Solid                    |
| Operating and Electrical      |                        | Remote Wiring Configuration Allowed      | Yes                      |
| Input Voltage                 | 120 to 277 V           | Tandem Wiring Configuration Allowed      | Yes                      |
| Input Frequency               | 50 to 60 Hz            | Through Wiring Configuration Allowed     | Yes                      |
| Total Harmonic Distortion USA | 10 %                   | Max Ballast-Lamp Distance Remote Wiring  | ES = 6' / Standard = 20' |
| Ignition Method               | Instant Start          | Max Ballast-Lamp Distance Tandem Wiring  | ES = 6' / Standard = 20' |
| Crestfactor (Nom)             | 1.7                    | Max Ballast-Lamp Distance Through Wiring | ES = 6' / Standard = 20' |
| Ignition Time (Nom)           | 0.1 s                  | Connector Type                           | No connector             |
| Ballast Factor (Nom)          | 0.88                   |  |                          |
| Power Factor (Nom)            | 0.98                   | Temperature                              |                          |
| Input Current (Max)           | 0.71 A                 | T-Case Maximum (Nom)                     | 70 °C                    |
| Input Current (Min)           | 0.31 A                 |  |                          |
| Input Power (Nom)             | 85-86 W                | Mechanical and Housing                   |                          |
| Rated Lamp Power              | 32 W                   | Housing Material                         | Metal                    |
|                               |                        | Housing                                  | N                        |

## Centium T8 Instant Start

|                                 |  |
|---------------------------------|--|
| Housing Dimensions              | 9.5" x 1.3" x 1.0"   |
| <b>Approval and Application</b> |  |
| EMC Immunity Standard           | FCC Non-Consumer   |
| Approval Marks                  | CSA certificate UL certificate CEC Listing<br>CEE Rated NEMA Premium NOM certificate<br>RoHS Compliant |
| Hum And Noise Level             | A  |
| UL Recognized                   | No   |

|                                 |  |
|---------------------------------|--|
| <b>Product Data</b>             |  |
| Order product name              | CENTIUM ELE BALLAST (3) F32T8 120-277V |
| EAN/UPC - Product               | 781087091494                           |
| Order code                      | 913701220201                           |
| Numerator - Quantity Per Pack   | 1                                      |
| Numerator - Packs per outer box | 10                                     |
| Material Nr. (12NC)             | 913701220201                           |
| Net Weight (Piece)              | 0.441 kg                               |

### Dimensional drawing



ELE BALLAST (3) 120-277V F32T8 120-277V

### Product

CENTIUM ELE BALLAST (3) F32T8 120-277V

