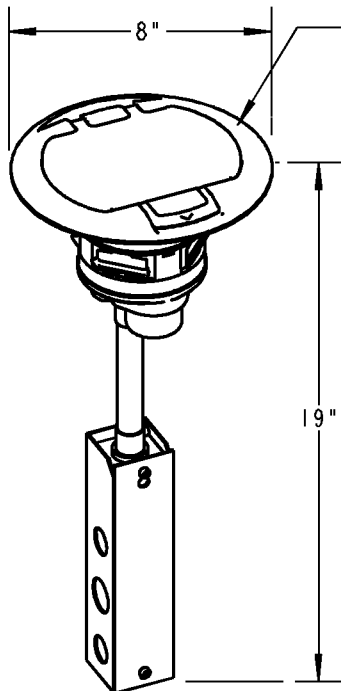


Steel City



COVER SHIPPED WITH FPT4-4P-4C-TXXX POKE THROUGH.

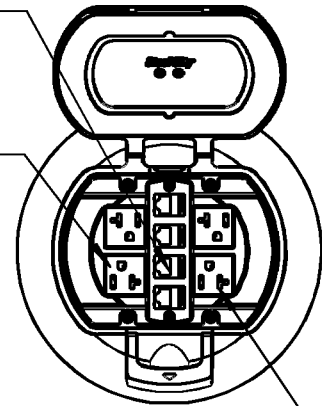
CATALOG NUMBERS:
FPT4-4P-4C-TBRS
FPT4-4P-4C-TALM
FPT4-4P-4C-TBLK

COMPLETE FIRE RATED POKE THROUGH ASSEMBLY WITH:

- (4) PRE-WIRED 20A RECEPTACLES
 - (4) T&B CAT 5E DATA JACKS AND MOUNTING PLATE
 - (1) FACTORY INSTALLED TEMPORARY COVER
 - (1) COVER IN BRASS, ALUMINUM OR BLACK FINISH.
- SEE DRAWING WSD-000580 FOR COVER DETAILS.
 OTHER COLORS AVAILABLE WHEN COVER AND BASE UNIT ARE PURCHASED SEPARATELY.

(4) COMMUNICATION JACKS CENTER COMPARTMENT (A)

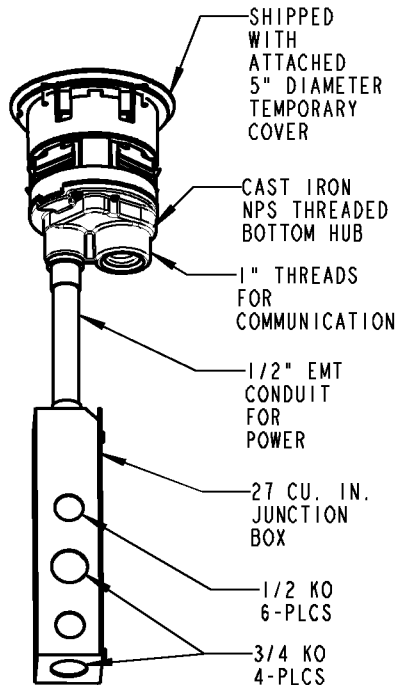
(2) 20A RECEPTACLES LEFT SIDE COMPARTMENT (B)



(2) 20A RECEPTACLES RIGHT SIDE COMPARTMENT (B)

SPECIFICATIONS / FEATURES:

1. ALL METAL CONSTRUCTION WITH INTUMESCENT MATERIAL (FIRE RETARDANT). CAST IRON BOTTOM HUB WITH NPS THREADED HOLES FOR 1/2" POWER CONDUIT AND 1" COMMUNICATION CONDUIT.
2. CORE-DRILLED HOLE SIZE: 4 TO 4-1/16" DIAMETER
3. UL LISTED AND CLASSIFIED. MEETS OR EXCEEDS UL AND CANADIAN SAFETY STANDARDS.
4. FIRE RATING AND CONCRETE THICKNESS MIN/MAX:
 FOR USE IN 1, 1-1/2 & 2-HOUR RATED FLOORS
 1-HOUR RATED FLOOR
 2-1/4" THICK MINIMUM CONCRETE OVER STEEL DECKING
 3" MINIMUM CONCRETE FOR REINFORCED SLAB
 7-1/2" MAXIMUM CONCRETE THICKNESS
 2-HOUR RATED FLOOR - CONCRETE THICKNESS MIN/MAX:
 3-1/4" THICK MINIMUM CONCRETE OVER STEEL DECKING
 4" MINIMUM CONCRETE FOR REINFORCED SLAB
 7-1/2" MAXIMUM CONCRETE THICKNESS
5. FLOOR COVERINGS:
 FOR USE ON CARPET AND WOOD COVERED CONCRETE FLOORS, TILE FLOOR COVERINGS UP TO 3/4" MAXIMUM THICKNESS, AND LINOLEUM FLOOR COVERINGS UP TO A MAXIMUM OF 1/8" THICKNESS.
6. MAXIMUM ALLOWABLE COPPER CROSS-SECTIONAL AREA FOR COMMUNICATIONS:
 LEFT SIDE THRU HOLE (B): POWER
 CENTER THRU HOLE (A): .01630 SQ. INCHES
 RIGHT SIDE THRU HOLE (B): POWER
 SEE SHEET 2 FOR COPPER CROSS SECTIONAL AREA TABLE
7. COMMUNICATION CABLE AND JACKS CAN BE INSTALLED AFTER COVER IS INSTALLED TO FLOOR. SEE SHEET 2
8. COMMUNICATION PLATES CAN BE ORDERED SEPARATELY FOR MOST DATA JACKS. SEE SHEET 2



SHIPPED WITH ATTACHED 5" DIAMETER TEMPORARY COVER

CAST IRON NPS THREADED BOTTOM HUB

1" THREADS FOR COMMUNICATION

1/2" EMT CONDUIT FOR POWER

27 CU. IN. JUNCTION BOX

1/2 KO 6-PLCS

3/4 KO 4-PLCS



GENERAL NOTES

1. ALL DIMENSIONS ARE FOR REFERENCE ONLY.
2. DIMENSIONS IN BRACKETS [] ARE IN METRIC UNITS.

REVISIONS

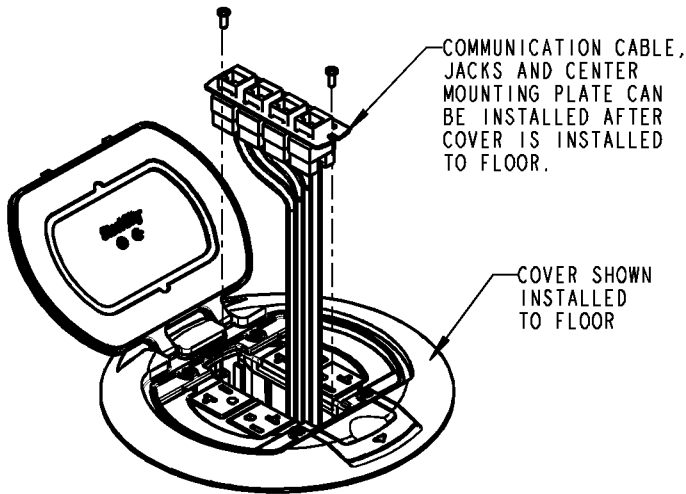
*** SEE ERN (****) FOR APPROVAL SIGNATURES & RELEASE DATE.
 PROJECT NO: ****

Thomas & Betts
 www.tnb.com

DESCRIPTION: **FPT4-4P-4C-TXXX POKE THROUGH ASSEMBLY**
 XXX - DENOTES COVER MATERIAL OR FINISH

ORIGINAL PROJECT NO / (ERN NO)	SHEET NO:	REV. NO:	DRAWING NO:
UD55943 / (2011917)	1 OF 2	-	WSD-000579

COMMUNICATION INSTALLATION



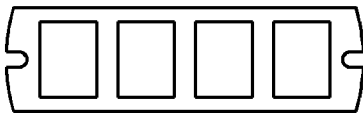
COPPER CROSS-SECTIONAL AREA OF COMMONLY USED CONDUCTORS

SIZE	SOLID
#24 AWG	.00032 SQUARE INCHES
#22 AWG	.00050 SQUARE INCHES
#14 AWG	.00323 SQUARE INCHES
#12 AWG	.00512 SQUARE INCHES
#10 AWG	.00815 SQUARE INCHES

NOTE: USE ABOVE VALUES FOR SOLID OR STRANDED CONDUCTORS.

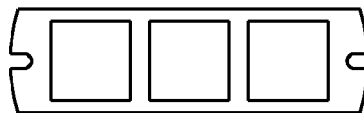
FPT4-CPA CENTER COMMUNICATION PLATES SOLD SEPARATELY:

FOR SPECIAL JACK SIZES OR OPENINGS CONTACT T&B TECHNICAL SERVICES DEPARTMENT.



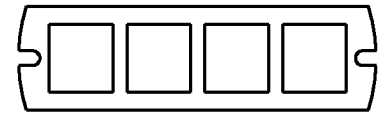
FPT4-CPA-4KEY

T&B KEYSTONE
HUBBLE
LEVITON-QUICKPORT
(1) SHIPPED WITH POKE THROUGH
CAT. NO. FPT4-4P-4C-XXX



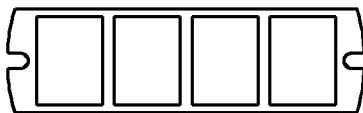
FPT4-CPA-3PAN

PANDUIT
REQUIRES #CMNZABL-X
ADAPTER FROM PANDUIT
TO MOUNT PANDUIT
MINI-CON JACKS.



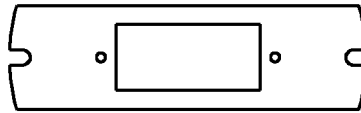
FPT4-CPA-4SYS

AVAYA MGS400
SYSTEMAX MGS500
AT&T



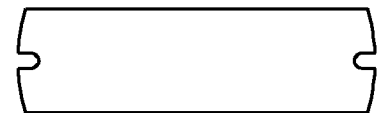
FPT4-CPA-4ORT

ORTRONICS
OR-TJ600



FPT4-CPA-1MAAP

ACCEPTS ONE
MAAP MINI ARCHITECTURAL
ADAPTER PLATE
EXTRON



FPT4-CPA-BLANK

Thomas & Betts
www.tnb.com

DESCRIPTION: **FPT4-4P-4C-TXXX POKE THROUGH ASSEMBLY**
XXX - DENOTES COVER MATERIAL OR FINISH

SHEET NO:

2 OF 2

REV. NO:

-

DRAWING NO:

WSD-000579