

Electronic Unit Heater KB PlatinumX Series



Model Code:

KB 48 10 -3MP -PLTMX -FB
A B C D E F

- A: Series
- B: 20 - 208V, 24 - 240/208V
27 - 277V, 48 - 480V
- C: kiloWatts (3-40)
- D: -1 = Single Phase
-3 = Three Phase
-3MP = 1-3 Phase
- E: -PLTMX = Electronic Controller + 24V Remote Thermostat Provision
- F: Fuse Block

PLATINUMX

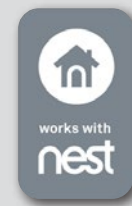
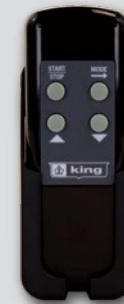
- Energy-Saving PlatinumX Electronic Temperature Controller
- Built-In Provision for Optional 24V Remote Thermostat
- Compatible with NEST / Any 24V WIFI Stat
- Remote Control Included with Wall Holder
- Summer Fan Only & Timer Modes
- Auto Memory Feature: returns units to last settings after power outage
- Adjustable Louvers to Direct Air
- Built-In Fan Delay to Dissipate Heat
- High Mass Steel Fin Heat Exchanger
- Patented Smart Limit Protection®
- Permanent Lubricated Unit Bearing Motor
- Universal Wall/Ceiling Bracket Included
- 5-Year Limited Warranty

The KB PlatinumX Horizontal Unit Heater

King's KB PlatinumX series unit heaters are the most full-featured unit heaters on the market, with in-built electronic thermostat for accuracy and remote control for simple operation. Comes standard with a provision for adding an optional 24V thermostat for remote temperature control. Includes integrated summer fan only and thermostat timer modes, the KB PlatinumX has you covered. Designed for use as primary or supplemental heat sources in large or exposed areas, including high-rise buildings, stores, warehouses, garages, water treatment and fire room vaults to prevent freezing. Spiral finned steel elements and high CFM ensure even air distribution producing cooler element operation, prolonging heater life. By combining the highest quality components, with a dynamically balanced fan blade, the KB PlatinumX unit heater will provide years of trouble-free service. Includes universal wall/ceiling bracket for simple installation.

PlatinumX Electronic Controller Features

- Electronic control for accuracy
- Thermostat timer mode (1-9 Hours)
- Summer Fan only mode
- Large LED display
- Built-In fan delay
- Built-In provision for optional 24V remote thermostat
- Remote control and wall/ceiling bracket included
- Heaters 25kW & above are ECO2S+ 2-stage heaters
- Compatible with NEST / any 24V WIFI Stat



or Any 24V
WIFI Stat

Engineering Specifications

Contractor shall supply and install KB PlatinumX Series unit heaters manufactured by King Electrical Mfg. Company. Heaters shall be of the wattage and voltage as indicated on the plans.

Construction: All exterior and interior metal enclosure parts are made from 20 gauge electrogalvanized Steel with a rust inhibiting baked enamel finish. Smooth rounded corners and protective edge trim give an attractive modern appearance.

Electronic Control: Up, down temperature mode. Start/Stop standard on all heaters. Heaters 25kW & above area ECO2S+ 2-Stage heaters.

Auto Memory Feature: Returns Unit To Last Settings After Power Outage.

Adjustable Outlet Louver: Louvers direct air up or down as needed for the heating application.

Rear Intake Screen: Heavy gauge steel screen protects against foreign objects making accidental contact with the rotating fan blade.

Spiral Fin Elements: The metal sheath element is copper brazed with spiral fins then molded into a coil configuration. This combination produces the best heat transfer while eliminating the potential for hot spots by positioning the element in the maximum airflow stream.

Totally Enclosed Fan Motor: Permanently lubricated long life, unit bearing with 20cc of oil. Epoxy-coated motor with enclosed rotor resists moisture and corrosion for long-lasting, trouble-free operation.

Aluminum Fan Blade: Axial flow-type fan mounted directly to the motor shaft for maximum efficiency.

Thermal Overload: Heaters shall be equipped with King's patented thermal overload Smart Limit Protection®, which disconnects elements and motor in the event normal operating temperatures are exceeded. If thermal overload trips due to abnormal operating temperatures, thermal overload shall remain open until manually reset by turning the heater off for 15 minutes. Automatically reset of thermal overloads, which allow the element to continue to cycle under abnormal conditions, will not be accepted.

Internal Controls: Magnetic contactors are standard on all 480V heaters, all 208V/1-Phase, 240V/1-Phase, 277V/1-Phase heaters above 6kW, and all 3-Phase heaters.

Provision For 24V Remote Thermostat: Includes terminals to connect an optional 24V 2-Stage Thermostat. Compatible with NEST / any 24V WIFI Stat

Fusing: Internal circuit fusing is provided when the heater ampacity exceeds 48 Amps to comply with N.E.C. standards. A fan delay is provided standard on models 12.5-kW and above to dissipate residual heat from the heating elements.

Easy Installation: A quick access panel located on the bottom of the heater allows for quick wiring and easy maintenance for the life of the heater. Includes universal wall/ceiling bracket for simple installation.

Approvals: cULus (E41422)

Electronic Unit Heater KB PlatinumX Series

Ordering Information - single phase

	MODEL	UPC	KW	BTUH (000)	PHASE	VOLTS	AMPS	MOTOR HP	CFM	TEMP. RISE	AIR THROW	MAX. MOUNT HEIGHT	*SIZE	WT. (lbs.)
208V	KB2003-1-PLTMX	33188	3.3	11.3	1	208	15.9	16W**	520	20°	15ft.	8ft.	A	30.5
	KB2004-1-PLTMX	33191	4	13.7	1	208	19.2	16W**	520	24°	15ft.	8ft.	A	30.5
	KB2005-1-PLTMX	33194	5	17.1	1	208	24.0	16W**	520	30°	15ft.	8ft.	A	30.5
	KB2007-1-PLTMX	33197	7.5	25.6	1	208	36.1	25W**	690	34°	20ft.	9ft.	B	45.0
	KB2010-1-PLTMX	33200	9.98	34.1	1	208	48.0	35W**	800	39°	24ft.	10ft.	B	45.0
	KB2012-1-PLTMX-FB	33221	12.5	42.7	1	208	60.1	50W**	935	42°	28ft.	11ft.	C	50.0
	KB2015-1-PLTMX-FB	33223	15	51.2	1	208	72.1	50W	1050	45°	33ft.	12ft.	C	50.0
240V	KB2403-1-PLTMX	33189	3.3	11.3	1	240/208*	13.8/11.9*	9W	520	20°	15ft.	8ft.	A	30.5
	KB2404-1-PLTMX	33192	4	13.5	1	240/208*	16.7/14.4*	9W	520	24°	15ft.	8ft.	A	30.5
	KB2405-1-PLTMX	33195	5	17	1	240/208*	20.8/18*	9W	520	30°	15ft.	8ft.	A	30.5
	KB2407-1-PLTMX	33198	7.5	25.6	1	240/208*	31.3/27*	16W	690	34°	20ft.	9ft.	B	45.0
	KB2410-1-PLTMX	33201	10	34.1	1	240/208*	41.7/36.1*	16W	800	40°	24ft.	10ft.	B	45.0
	KB2412-1-PLTMX-FB	33222	12.5	42.7	1	240/208*	52.1/45.1*	35W	935	42°	28ft.	11ft.	C	50.0
	KB2415-1-PLTMX-FB	33224	15	51.2	1	240/208*	62.5/54.1*	50W	1050	45°	33ft.	12ft.	C	50.0
277V	KB2703-1-PLTMX	33190	3	10.2	1	277	10.8	9W	520	18°	15ft.	8ft.	A	30.5
	KB2704-1-PLTMX	33193	4	13.5	1	277	14.4	9W	520	24°	15ft.	8ft.	A	30.5
	KB2705-1-PLTMX	33196	5	17	1	277	18.1	9W	520	30°	15ft.	8ft.	A	30.5
	KB2707-1-PLTMX	33199	7.5	25.6	1	277	27.1	16W	690	34°	20ft.	9ft.	B	45.0
	KB2710-1-PLTMX	33202	10	34.1	1	277	36.1	25W	800	40°	24ft.	10ft.	B	45.0

*Dual rated heaters will draw 13% less amps and 25% less wattage when operated at 208V. **240V motor derated for 208V operation.

Ordering Information - three phase

	MODEL	UPC	KW	BTUH (000)	PHASE	VOLTS	AMPS	MOTOR HP	CFM	TEMP. RISE	AIR THROW	MAX. MOUNT HEIGHT	*SIZE	WT. (lbs.)
208V	KB2012-3-PLTMX	33211	12.5	42.7	3	208	34.7	50W**	935	42°	31ft.	12ft.	C	50.0
	KB2015-3-PLTMX	33213	15	51.2	3	208	41.6	50W	1050	45°	33ft.	13ft.	C	50.0
	KB2020-3-PLTMX-FB	33225	20	68.3	3	208	55.5	1/4 HP	1750	36°	37ft.	14ft.	E	60.0
	KB2025-3-PLTMX-FB	33228	25	85.3	3	208	69.4	(2) 50W**	1870	42°	39ft.	15ft.	F	85.0
	KB2030-3-PLTMX-FB	33230	30	102.4	3	208	83.2	(2) 50W	2100	45°	41ft.	17ft.	F	85.0
	KB2412-3-PLTMX	33212	12.5	42.7	3	240/208*	30.1/26*	35W	935	42°	31ft.	12ft.	C	50.0
	KB2415-3-PLTMX	33214	15	51.2	3	240/208*	36.1/31.2*	50W	1050	45°	33ft.	13ft.	C	50.0
240V	KB2420-3-PLTMX-FB	33226	20	68.3	3	240/208*	48.1/41.6*	1/4 HP	1750	36°	37ft.	14ft.	E	60.0
	KB2425-3-PLTMX-FB	33229	25	85.3	3	240/208*	60.1/52.0*	(2) 35W	1870	42°	39ft.	15ft.	F	85.0
	KB2430-3-PLTMX-FB	33231	30	102.4	3	240/208*	72.1/62.4*	(2) 50W	2100	45°	41ft.	17ft.	F	85.0
	KB2440-3-PLTMX-FB	33232	40	136.5	3	240/208*	96.2/83.2*	(2) 1/4 HP	3500	36°	43ft.	19ft.	F	100.0
	KB4820-3-PLTMX	33227	20	68.3	3	480	24.0	1/4 HP	1750	36°	37ft.	14ft.	E	60.0
480V	KB4825-3-PLTMX	33233	25	85.3	3	480	30.1	(2) 35W	1870	42°	39ft.	15ft.	F	85.0
	KB4830-3-PLTMX	33234	30	102.4	3	480	36.1	(2) 50W	2100	45°	41ft.	17ft.	F	85.0
	KB4840-3-PLTMX-FB	33235	40	136.5	3	480	48.1	(2) 1/4 HP	3500	36°	43ft.	19ft.	G	100.0

*Dual rated heaters will draw 13% less amps and 25% less wattage when operated at 208V. **240V motor derated for 208V operation.

Electronic Unit Heater KB PlatinumX Series

Ordering Information - multi-phase

	MODEL	UPC	KW	BTUH (000)	PHASE	VOLTS	AMPS	MOTOR HP	CFM	TEMP. RISE	AIR THROW	MAX. MOUNT HEIGHT	*SIZE	WT. (lbs.)
208V	KB2003-3MP-PLTMX	33203	3	10.2	1-3	208	14.4/8.3	16W**	520	18°	20ft.	8ft.	C	45.0
	KB2005-3MP-PLTMX	33205	5	17.1	1-3	208	24 & 13.9	16W**	520	30°	20ft.	8ft.	C	45.0
	KB2007-3MP-PLTMX	33207	7.5	25.6	1-3	208	36.1 & 20.8	25W**	690	34°	24ft.	9ft.	C	46.5
	KB2010-3MP-PLTMX	33210	9.98	34.1	1-3	208	48/27.7	35W**	800	39°	29ft.	11ft.	C	46.5
240V	KB2403-3MP-PLTMX	33204	3	10.2	1-3	240/208*	12.5/7.2* & 10.8/6.2*	9W	520	18°	20ft.	8ft.	C	45.0
	KB2405-3MP-PLTMX	33206	5	17.1	1-3	240/208*	20.8/18* & 18/15.6*	9W	520	30°	20ft.	8ft.	C	45.0
	KB2407-3MP-PLTMX	33208	7.5	25.6	1-3	240/208*	31.2/27* & 18/15.6*	16W	690	34°	24ft.	9ft.	C	46.5
	KB2410-3MP-PLTMX	33209	10	34.1	1-3	240/208*	41.7/36.1* & 24.1/20.8*	25W	800	40°	29ft.	11ft.	C	46.5
480V	KB4803-3MP-PLTMX	33215	3	10.2	1-3	480	6.3/3.6	9W	520	18°	20ft.	8ft.	C	45.0
	KB4805-3MP-PLTMX	33216	5	17.1	1-3	480	10.4 & 6.0	9W	520	30°	20ft.	8ft.	C	45.0
	KB4807-3MP-PLTMX	33217	7.5	25.6	1-3	480	15.6/9	16W	690	34°	24ft.	9ft.	C	46.5
	KB4810-3MP-PLTMX	33218	10	34.1	1-3	480	20.8 & 12	25W	800	40°	29ft.	11ft.	C	46.5
	KB4812-3MP-PLTMX	33219	12.5	42.7	1-3	480	26 & 15	35W	935	42°	31ft.	12ft.	C	50.0
KB4815-3MP-PLTMX	33220	15	51.2	1-3	480	31.3 & 18.1	50W	1050	45°	33ft.	13ft.	C	50.0	

*Dual rated heaters will draw 13% less amps and 25% less wattage when operated at 208V. **240V motor derated for 208V operation.

Field Mount Options

ADD SUFFIX:	UPC	DESCRIPTION	WT. (lbs.)
DS32	13480	Disconnect Switch, Field Installed Kit, 32 AMP, 600V	2.0
DS63	13481	Disconnect Switch, Field Installed Kit, 63 AMP, 600V	2.0
DS80	13482	Disconnect Switch, Field Installed Kit, 80 AMP, 600V	2.0
DS100	13483	Disconnect Switch, Field Installed Kit, 100 AMP, 600V	5.0

Replacement Accessories

MODEL	UPC	DESCRIPTION	WT. (lbs.)
ECO2S-REMOTE	33489	ECO2S Replacement Infrared Remote Control	0.1
ECO2S-REMOTE-BRACKET	33490	ECO2S Replacement Infrared Remote Control Wall Mount Bracket	.04
KBB-1	13484	Replacement Universal Wall/Ceiling Small Mounting Bracket (for heaters with size A heaters)	1.9
KBB-2	13485	Replacement Universal Wall/Ceiling Large Mounting Bracket (for heaters with size B and C)	2.6
KBB-3	13488	Replacement Universal Wall/Ceiling Large Mounting Bracket (for heaters with size F & G)	3.9
KBHS	13486	Replacement Hook Swivel	0.4
KBHK	13487	Replacement Hardware Kit	0.1

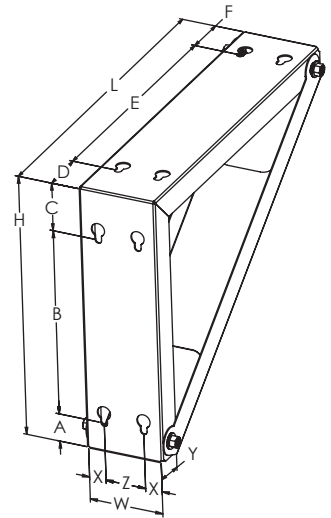
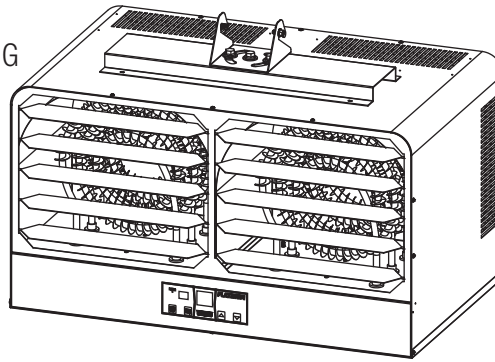
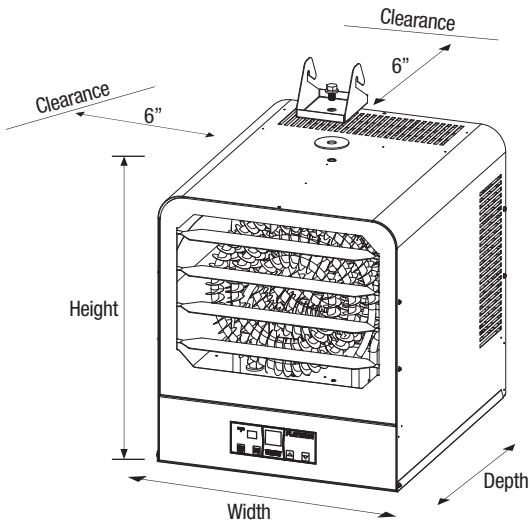
Bracket Selection Chart

BRACKET #	HEATER KW SIZE USED WITH	BRACKET DIMENSIONS											
		L	W	H	A	B	C	D	E	F	X	Y	Z
KBB-1	3 to 5 kW (1 phase)	12½"	2 ₁₅ / ₁₆ "	10 ₁ / ₁₆ "	1 ₃ / ₁₆ "	7"	1 ₇ / ₈ "	1 ₇ / ₈ "	9¼"	1 ₇ / ₈ "	¾"	1"	½"
KBB-2	7.5 to 10 kW (1 phase) 3 to 20 kW (3 phase)	16 ₇ / ₈ "	2 ₁₅ / ₁₆ "	10 ₁ / ₈ "	1¼"	7"	1 ₇ / ₈ "	1 ₅ / ₈ "	13 ₅ / ₈ "	1 ₅ / ₈ "	¾"	1"	1½"
KBB-3	25 to 40 kW (3 phase)	19½"	4 ₃ / ₁₆ "	13 ₃ / ₁₆ "	1 ₅ / ₁₆ "	10"	1 ₇ / ₈ "	1 ₅ / ₈ "	16¼"	1 ₁ / ₈ "	11 ₁ / ₁₆ "	1"	2"

Electronic Unit Heater KB PlatinumX Series

Dimensional Data

Double Unit Size F & G



HEATER SIZE	HEIGHT	DEPTH	WIDTH
A	16.5"	11"	15"
B	16.5"	13.5"	15"
C	16.5"	18"	15"
E	20.5"	23.8"	15"
F	18.5"	18"	30"
G	20.5"	23.8"	30"

KBB-1, KBB-2 & KBB-3

Unit heater brackets can be used for mounting on ceiling or wall. 3/8" threaded hole on top of unit heater can also be used with threaded rod to drop the unit closer to the floor. Refer to bracket selection chart.