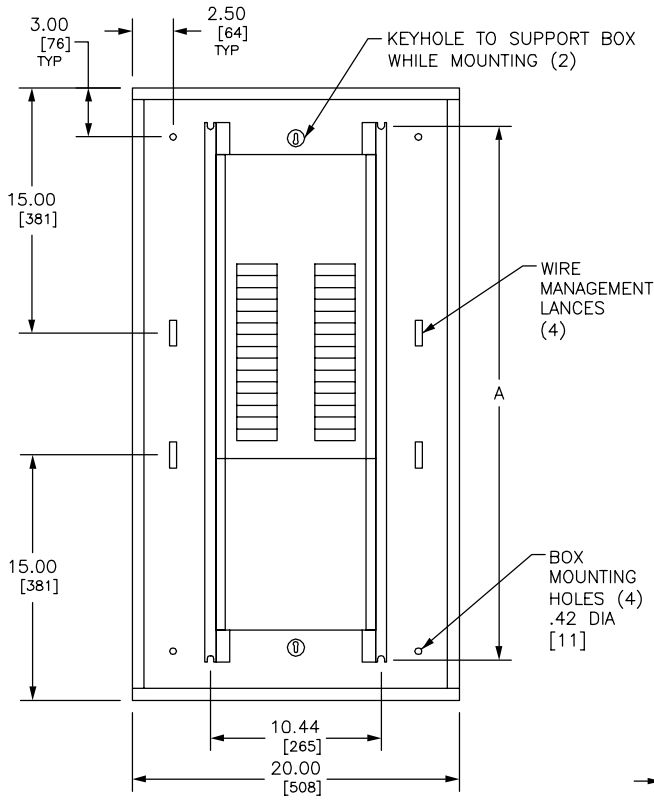
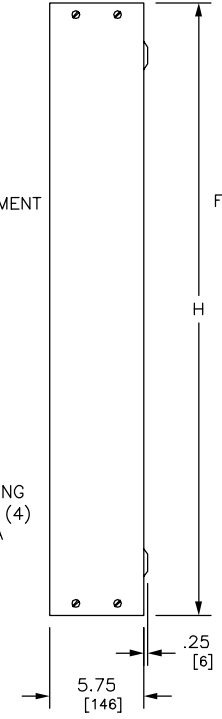


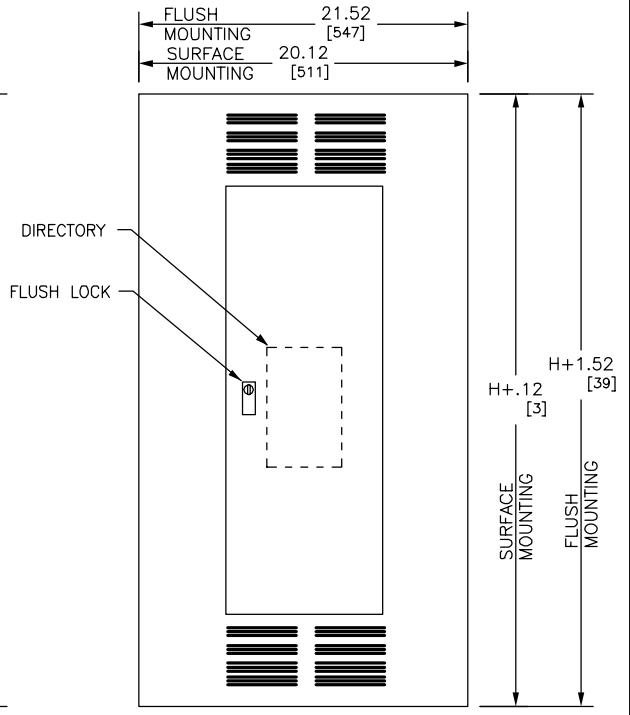
REV	DESCRIPTION	BY	DATE				
---	---	---	---	---	---	---	---



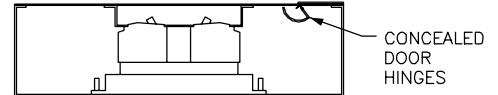
TYPICAL BOX WITH INTERIOR



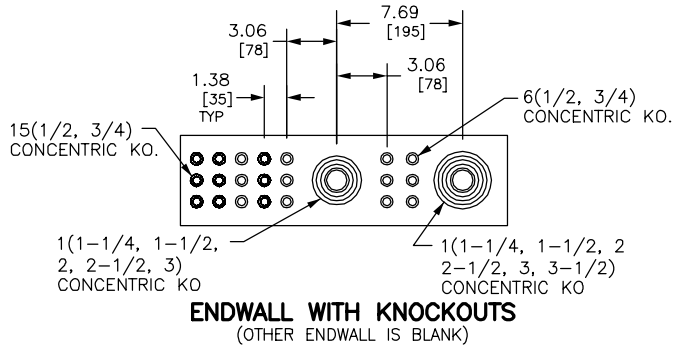
TYPICAL BOX SIDE VIEW



TYPICAL FRONT



TYPICAL MOUNTING OF QO, QOB BREAKERS



ENDWALL WITH KNOCKOUTS
(OTHER ENDWALL IS BLANK)

DUAL DIMENSIONS: INCHES
MILLIMETERS

MAXIMUM MAIN LUGS AMPERE RATING	MAXIMUM NUMBER OF CIRCUITS	H		A	
		IN	MM	IN	MM
400A	30 & 42	50.00	1270	45.00	1143
	54	56.00	1422	51.00	1295
	72	62.00	1575	57.00	1448
	84	68.00	1727	63.00	1600
400A WITH SUB FEED LUGS	30 & 42	50.00	1270	45.00	1143
	54	56.00	1422	51.00	1295
	72	62.00	1575	57.00	1448
	84	68.00	1727	63.00	1600
400A WITH FEED THRU LUGS	30 & 42	56.00	1422	51.00	1295
	54	62.00	1575	57.00	1448
	72	68.00	1727	63.00	1600
	84	74.00	1880	69.00	1753
400A WITH SUB FEED BREAKERS	30 & 42	74.00	1880	69.00	1753
	54	80.00	2032	75.00	1905
	72	86.00	2184	81.00	2057
	84	86.00	2184	81.00	2057
600A *	30 & 42	50.00	1270	45.00	1143
	54	56.00	1422	51.00	1295
	72	62.00	1575	57.00	1448
	84	68.00	1727	63.00	1600
600A WITH FEED THRU LUGS	30 & 42	62.00	1575	57.00	1448
	54	68.00	1727	63.00	1600
	72	74.00	1880	69.00	1753
	84	80.00	2032	75.00	1905
600A WITH SUB FEED BREAKERS	30 & 42	74.00	1880	69.00	1753
	54	80.00	2032	75.00	1905
	72	86.00	2184	81.00	2057
	84	86.00	2184	81.00	2057

* FOR TYPE 3R ENCLOSURE INCREASE HEIGHT DIMENSION BY 12.00/[305]

REFER TO DP CATALOG CLASS 1640 FOR ADDITIONAL INFORMATION
 FOR TYPE 3R APPLICATIONS USE IN CONJUNCTION WITH PBA711
 NQ PANELBOARDS MEET THE APPLICABLE REQUIREMENTS OF UL AND CSA.
 BOX: CODE GAUGE GALVANIZED STEEL. ONE ENDWALL IS BLANK, THE OTHER HAS KNOCKOUTS.
 FRONT: GRAY BAKED ENAMEL FINISH ELECTRODEPOSITED OVER CLEANED PHOSPHATIZED STEEL. FRONT IS VENTED AND MOUNTS TO ENCLOSURE WITH SCREWS. DOOR HINGES ARE CONCEALED.
 LOCK: FLUSH LOCK WITH BRUSHED STAINLESS STEEL ESCUTCHEON. NSR-251 KEY.

JOB NAME: ---	EQUIPMENT DESIGNATION: ---
JOB LOCATION: ---	EQUIPMENT TYPE: NQ MLO 400A/600A TYPE 1
DRAWN BY: ---	DRAWING TYPE: ---
ENGR: ---	
DATE: AUGUST 2007	
DRAWING STATUS: ---	DWG# PBA709A PG 01 OF 01 REV ---