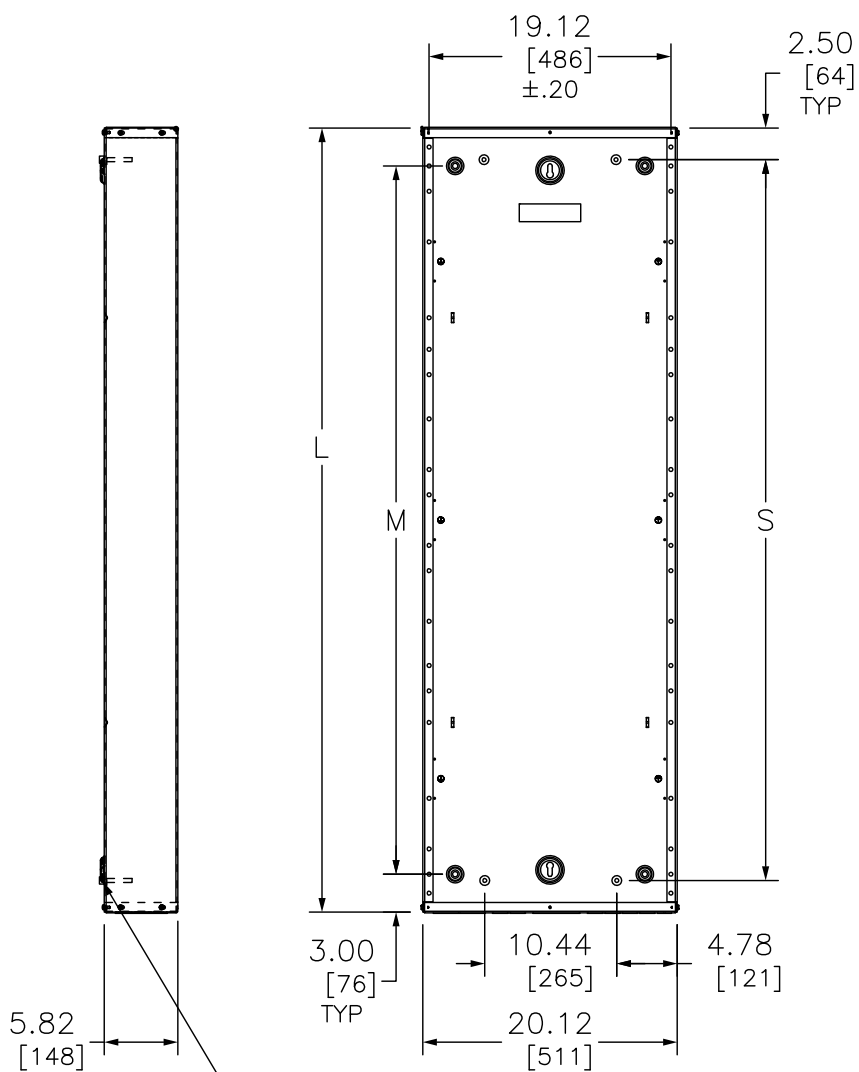


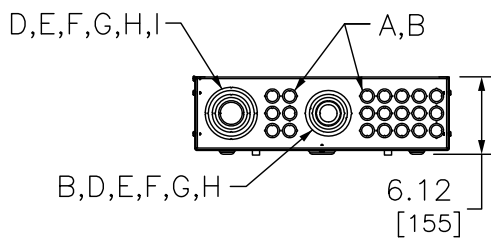
REV	DESCRIPTION	BY	DATE				
-	----	---	---/---/---	-	----	--	---/---/---



DIMPLES ARE
.30/[8] DEEP

SYMBOL	KNOCKOUTS			
	CONDUIT SIZE		KNOCKOUT DIA	
	IN	MM	IN	MM
A	.50	13	.88	22
B	.75	19	1.12	28
D	1.25	32	1.75	44
E	1.50	38	2.00	51
F	2.00	51	2.50	64
G	2.50	64	3.00	76
H	3.00	76	3.62	92
I	3.50	89	4.12	105

DUAL DIMENSIONS: INCHES
MILLIMETERS



REFERENCE CATALOG NO	L		S		M	
	IN	MM	IN	MM	IN	MM
MH26	26.00	660	21.00	533	20.00	508
MH32	32.00	813	27.00	686	26.00	660
MH38	38.00	965	33.00	838	32.00	813
MH44	44.00	1118	39.00	991	38.00	965
MH50	50.00	1270	45.00	1143	44.00	1118
MH56	56.00	1422	51.00	1295	50.00	1270
MH62	62.00	1575	57.00	1448	56.00	1422
MH68	68.00	1727	63.00	1600	62.00	1575
MH74	74.00	1880	69.00	1753	68.00	1727
MH80	80.00	2032	75.00	1905	74.00	1880
MH86	86.00	2184	81.00	2057	80.00	2032
MH92	92.00	2337	87.00	2210	86.00	2184

JOB NAME: ----	EQUIPMENT DESIGNATION: ----
JOB LOCATION: ----	EQUIPMENT TYPE: NEMA 1 BOXES
DRAWN BY: ----	DRAWING TYPE: ----
ENGR: ----	SQUARE D by Schneider Electric
DATE: JULY 2018	
DRAWING STATUS: ----	DWG# PBA600
	PG 1 OF 1
	REV -