

Project: _____ Type: _____ Prepared By: _____ Date: _____



Features and Benefits

- Replacement for traditional Metal Halide or High Pressure Sodium HID Lamps
- Active Cooling: Internal sensor overheats and engaged will automatically reduce output to 70% rated wattage until the sensor cools and will light up again to 100%
- Integral Driver enables lamp to be wired directly to line voltage without need for an external driver or ballast
- Rated for use in enclosed and open fixtures in dry or damp locations
- 4kV surge protection built in
- 50,000 hour Lifespan
- Environmentally friendly, no mercury used
- UL Listed, UL Classified
- Non-Dimmable
- 5 Year No Compromise Warranty

Technical Specifications

<p>Performance</p> <hr/> <p>Product Type: HID Replacement</p> <p>Input Wattage: 27W</p> <p>Lumens (Nominal): 3650lm</p> <p>Efficacy: 135 lm/W</p> <p>Color Accuracy (CRI): 80 CRI</p> <p>L70 Lifespan: 50,000 Hours</p>	<p>Dimmable: No</p> <p>Construction</p> <hr/> <p>Bulb Shape: Post Top</p> <p>Base Type: EX39</p> <p>Beam Angle: 360°</p> <p>For Use Outdoors in Open Fixtures: Yes</p> <p>Other</p> <hr/> <p>Equivalency: 125W HID</p>	<p>Warranty (Years): RAB warrants that our LED products will be free from defects in materials and workmanship for a period of five (5) years from the date of delivery to the end user, including coverage of light output, color stability, driver performance and fixture finish. RAB's warranty is subject to all terms and conditions found at rablighting.com/warranty.</p> <p>LED Characteristics</p> <hr/> <p>Color Temperature: 3000K Warm White</p> <p>Electrical</p> <hr/> <p>Power Factor: 0.9</p> <p>Operating Temperature: -30°C - 60°C</p> <p>Input Voltage: 100-277V</p>
--	--	---

Technical Specifications (continued)

Electrical

Operating Frequency:

50/60 Hz

Installation

Installation Type:

Type B, Ballast Bypass

Installation Orientation:

Universal Installation

Electrical Characteristics

Flicker:

<30%

THD:

<20%

Compliance

UL Listed:

Yes

UL Classified:

Yes

CEC Status:

Lawful for sale in California

DLC Model Number:

HID-27-EX39-830-BYP-PT

DLC Listed:

This product is on the Design Lights Consortium (DLC) Qualified Products List and is eligible for rebates from DLC Member Utilities. Designed to meet DLC 5 requirements.
DLC Product Code: POW60076

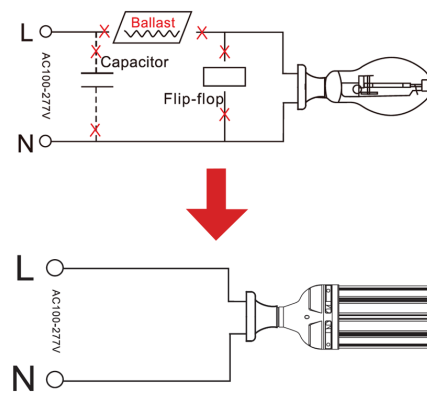
Minimum Compartment Size

Length x Width x Height [in]	Lamp Quantity
6.0 x 6.0 x 8.5	1

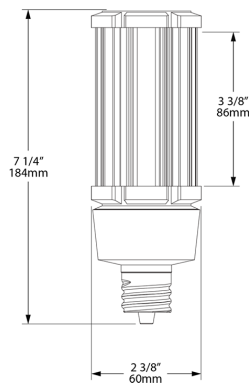
Case and Pallet Dimensions

	QTY	LENGTH (in)	WIDTH (in)	HEIGHT (in)
CASE	12	12.2	9.1	9.5
PALLET	720	38.2	38.6	42.5

Wiring Diagram



Dimension



Light Distribution

