

Project:	Type:	Prepared By:	Date:
-----------------	--------------	---------------------	--------------



Features and Benefits

- Energy efficient replacement for incandescent and halogen lamps
- Constructed from durable plastic which lowers risk of breakage
- Rated for use in enclosed and open fixtures in dry or damp locations (>15W A19 is Open fixture rated)
- Frosted lens produces smooth diffuse light
- Longer lifespan compared to legacy equivalents minimizes replacement and maintenance costs
- ENERGY STAR Compliant
- Dimmable with common dimmer types (check compatibility list)

Technical Specifications

Performance <hr/> Product Type: A-Line Input Wattage: 10W Lumens (Nominal): 800lm Efficacy: 80 lm/W Color Accuracy (CRI): 80 CRI L70 Lifespan: 15,000-Hour LED lifespan based on IES LM-70 results	Dimmable: Yes Compliance <hr/> UL Listed: Suitable for damp locations Enclosed Fixtures: Suitable for use in enclosed fixtures DLC Model Number: A10087(A19-10-E26-835-DIM) LED Characteristics <hr/> Color Temperature: 3500K Construction <hr/> Bulb Shape: A19	Base Type: E26 Beam Angle: 230° Electrical <hr/> Power Factor: 0.7 Operating Temperature: -20°C - 45°C Input Voltage: 120V
---	--	--

Technical Specifications (continued)

Electrical

Operating Frequency:

60 Hz

Other

Warranty (Years):

RAB warrants that our LED products will be free from defects in materials and workmanship for a period of three (3) years from the date of delivery to the end user, including coverage of light output, color stability, driver performance and fixture finish. RAB's warranty is subject to all terms and conditions found at rablighting.com/warranty.

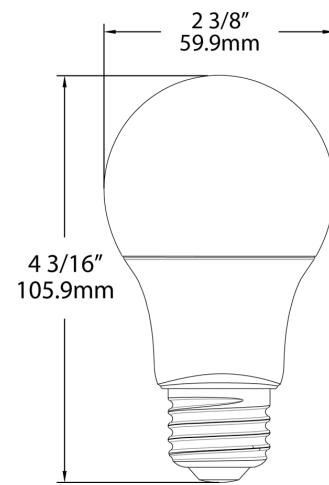
Wattage Equivalency:

60W Incandescent

Case and Pallet Dimensions

	QTY	LENGTH (in)	WIDTH (in)	HEIGHT (in)
CASE	12	5.2	4.9	15.4
PALLET	2880	41.34	47.24	45.47

Dimension



Light Distribution

