



Main

| | |
|---------------------------|---|
| Range of Product | Modicon X80 |
| Product or Component Type | Power supply module |
| Backplane compatibility | Not compatible with BMEXBP..02 |
| Primary Voltage | 100...240 V |
| Supply circuit type | AC |
| Secondary power | 15 W 3.3 V DC I/O module logic power supply 31.2 W 24 V DC I/O module power supply and processor 21.6 W 24 V DC sensor power supply |

Complementary

| | |
|--------------------------------|---|
| Primary voltage limit | 85...264 V |
| Network Frequency | 50/60 Hz |
| Network frequency limits | 47...63 Hz |
| Apparent power | 0.07 kVA |
| Input current | 0.52 A 240 V 1.04 A 115 V |
| Inrush current | 30 A 120 V 60 A 240 V |
| I ² t on activation | 1 A ² .S 120 V 3 A ² .s 240 V |
| It on activation | 0.05 A.S 120 V 0.07 A.s 240 V |
| Protection type | Internal fuse not accessible primary circuit Overload protection secondary circuit Overvoltage protection secondary circuit Short-circuit protection secondary circuit |
| Current at secondary voltage | 0.9 A 24 V DC sensor power supply 1.3 A 24 V DC I/O module power supply and processor 4.5 A 3.3 V DC I/O module logic power supply |
| Maximum power dissipation in W | 8.5 W |
| Status LED | 1 LED (Green) rack voltage OK 1 LED (Green) sensor voltage |
| Control Type | RESET push-button cold restart |
| Electrical connection | 1 connector 2 alarm relay 1 connector 5 line supply, protective earth, 24 V DC input sensor |
| Insulation resistance | >= 100 MOhm primary/ground >= 100 MOhm primary/secondary |
| Net Weight | 0.79 lb(US) (0.36 kg) |

The information provided in this documentation contains general descriptions and/or technical characteristics of the performance of the products contained herein. This documentation is not intended as a substitute for and is not to be used for determining suitability or reliability of these products for specific user applications. It is the duty of any such user or integrator to perform the appropriate and complete risk analysis, evaluation and testing of the products with respect to the relevant specific application or use thereof. Neither Schneider Electric Industries SAS nor any of its affiliates or subsidiaries shall be responsible or liable for misuse of the information contained herein.

Environment

| | |
|---------------------------------------|--|
| Immunity to microbreaks | 1 ms |
| Dielectric strength | 1500 V primary/secondary I/O module logic power supply 1500 V primary/secondary I/O module power supply and processor 2300 V primary/secondary sensor power supply 1500 V primary/ground 500 V 24 V sensor output/ground |
| Vibration resistance | 3 gn |
| Shock resistance | 30 gn |
| IP Degree of Protection | IP20 |
| Directives | 2014/35/EU - low voltage directive 2014/30/EU - electromagnetic compatibility |
| Ambient Air Temperature for Storage | -40...185 °F (-40...85 °C) |
| Ambient Air Temperature for Operation | 32...140 °F (0...60 °C) |
| Relative humidity | 5...95 % 131 °F (55 °C) without condensation |
| Protective treatment | TC |
| Operating altitude | 0...6561.68 ft (0...2000 m) 2000...5000 m with derating factor |

Ordering and shipping details

| | |
|-----------------------|--------------------|
| Category | 18160-MODICON M340 |
| Discount Schedule | PC34 |
| GTIN | 3595863908978 |
| Nbr. of units in pkg. | 1 |
| Package weight(Lbs) | 17.28 oz (489.8 g) |
| Returnability | Yes |
| Country of origin | ID |

Packing Units

| | |
|------------------------------|-----------------------|
| Unit Type of Package 1 | PCE |
| Package 1 Height | 5.22 in (13.263 cm) |
| Package 1 width | 6.07 in (15.407 cm) |
| Package 1 Length | 6.14 in (15.59 cm) |
| Unit Type of Package 2 | S04 |
| Number of Units in Package 2 | 12 |
| Package 2 Weight | 15.43 lb(US) (7.0 kg) |
| Package 2 Height | 11.81 in (30 cm) |
| Package 2 width | 15.75 in (40 cm) |
| Package 2 Length | 23.62 in (60 cm) |

Offer Sustainability

| | |
|----------------------------|---|
| Sustainable offer status | Green Premium product |
| California proposition 65 | WARNING: This product can expose you to chemicals including: Lead and lead compounds, which is known to the State of California to cause cancer and birth defects or other reproductive harm. For more information go to www.P65Warnings.ca.gov |
| REACH Regulation | REACH Declaration |
| EU RoHS Directive | Pro-active compliance (Product out of EU RoHS legal scope) EU RoHS Declaration |
| Mercury free | Yes |
| RoHS exemption information | Yes |
| China RoHS Regulation | China RoHS Declaration |
| Environmental Disclosure | Product Environmental Profile |

Circularity Profile

 [End Of Life Information](#)

WEEE

The product must be disposed on European Union markets following specific waste collection and never end up in rubbish bins.

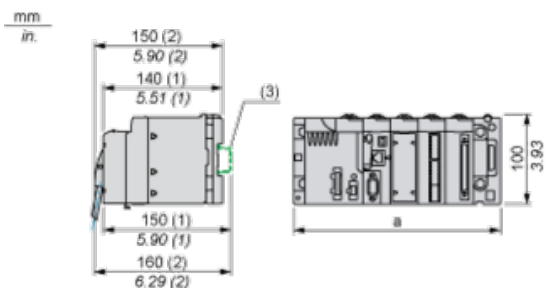
Contractual warranty

Warranty

18 months

Modules Mounted on Racks

Dimensions



(1) With removable terminal block (cage, screw or spring).

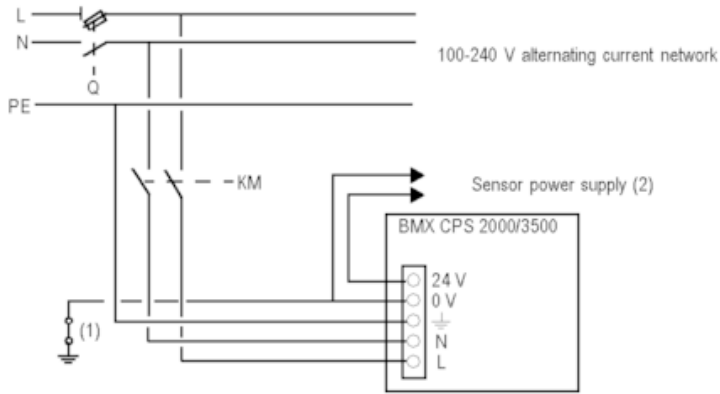
(2) With FCN connector.

(3) On AM1 ED rail: 35 mm wide, 15 mm deep. Only possible with BMXXBP0400/0400H/0600/0600H/0800/0800H rack.

| Rack references | a in mm | a in in. |
|----------------------------|---------|----------|
| BMXXBP0400 and BMXXBP0400H | 242.4 | 09.54 |
| BMXXBP0600 and BMXXBP0600H | 307.6 | 12.11 |
| BMXXBP0800 and BMXXBP0800H | 372.8 | 14.68 |
| BMXXBP1200 and BMXXBP1200H | 503.2 | 19.81 |

Connection of Alternating Current Power Supply Modules

Connection of a PLC Station Constituted of a Single Rack



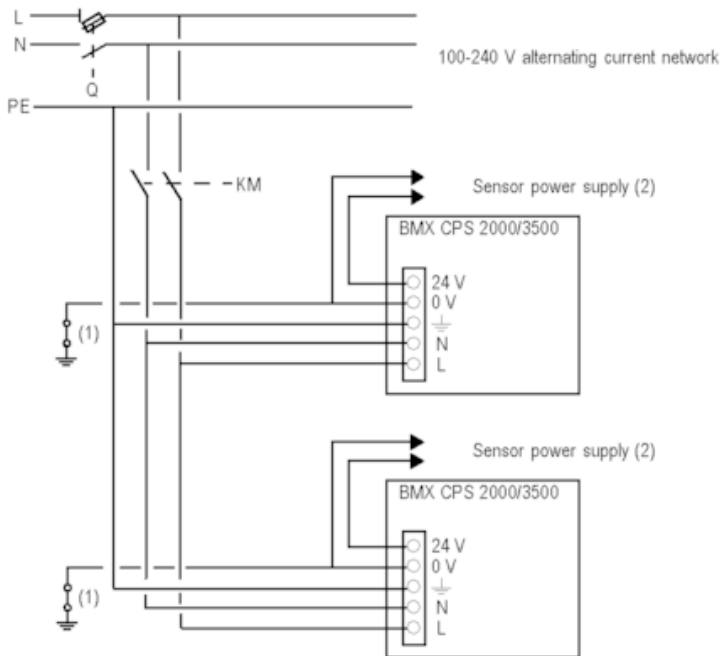
Q General isolator

KM Line contactor or circuit breaker

(1) Insulation connector bar for locating grounding errors

(2) Available current of 0.45 A for the BMXCPS2000 module or 0.9 A for the BMXCPS3500 module

Connection of a PLC Station Constituted of Several Racks



Q General isolator

KM Line contactor or circuit breaker

(1) Insulation connector bar for locating grounding errors

(2) Available current of 0.45 A for the BMXCPS2000 module or 0.9 A for the BMXCPS3500 module