

Main

Range of Product	Harmony XB4
Product or Component Type	Flush mounting kit
Accessory / separate part category	Mounting and fixing accessory
Accessory / separate part destination	Selector switch high bezel high guard Illuminated push-button high bezel high guard

Complementary

Product Compatibility	ZB4BK ZB4BD.8 ZB4BD ZB4BD.9 ZB4BJ ZB4BH..3 ZB4BA.6 ZB4BW
Surface Finish	Chromium plated
IP degree of protection	IP66 IEC 60529 front face) IP69 IEC 60529 front face) IP69K DIN 40050-9 front face)
IK degree of protection	IK06 IEC 50102
Mounting diameter	1.20 in (30.5 mm)
Quantity per Set	Set of 1

Ordering and shipping details

Category	18079-SPARE PARTS DISCOUNT CP10
Discount Schedule	CP10
GTIN	3606485440217
Nbr. of units in pkg.	1
Package weight(Lbs)	1.09 oz (31.0 g)
Returnability	No
Country of origin	FR

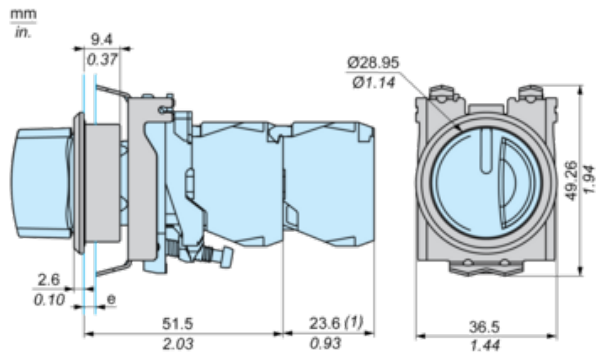
Packing Units

Unit Type of Package 1	PCE
Package 1 Height	2.17 in (5.5 cm)
Package 1 width	1.69 in (4.3 cm)
Package 1 Length	2.05 in (5.2 cm)
Unit Type of Package 2	S02
Number of Units in Package 2	80
Package 2 Weight	6.37 lb(US) (2.889 kg)
Package 2 Height	5.91 in (15 cm)
Package 2 width	11.81 in (30 cm)
Package 2 Length	15.75 in (40 cm)

Offer Sustainability

REACH Regulation	REACH Declaration
REACH free of SVHC	Yes
EU RoHS Directive	Compliant EU RoHS Declaration
Toxic heavy metal free	Yes
Mercury free	Yes
RoHS exemption information	Yes
China RoHS Regulation	China RoHS Declaration
WEEE	The product must be disposed on European Union markets following specific waste collection and never end up in rubbish bins.

Dimensions with Flush Mounting Kit



e : Clamping thickness : 1.2 to 2.8 mm / 0.05 to 0.11 in.

(1) Additional row of contacts or double contact

Panel Cut-Out and Mounting

