



<b>Project:</b>	<b>Type:</b>
<b>Prepared By:</b>	<b>Date:</b>

Driver Info		LED Info	
Type	Constant Current	Watts	11/16/22W
120V	.18A	Color Temp	3000K/3500K/4000K/5000K
208V	.10A	Color Accuracy	90 CRI
240V	.09A	L70 Lifespan	50,000 Hours
277V	.08A	Lumens	1000/1500/2000 lm
Input Watts	11/16/22W	Efficacy	91/94/91 Lm/W lm/W

**Technical Specifications**

**Performance**

**Product Type:**

Commercial Downlight

**Description:**

Wattage and CCT selectable commercial downlights for new construction and retrofit applications.

**Wattage Equivalency:**

18W CFL  
32W CFL  
2x26W CFL

**Input Wattage:**

11/16/22W

**Lumens (Nominal):**

11W: 3000K @ 1,134lm; 3500K @ 1,165lm; 4000K @ 1,171lm; 5000K @ 1,152lm  
16W: 3000K @ 1,588lm; 3500K @ 1,652lm; 4000K @ 1,663lm; 5000K @ 1,619lm  
>br> 22W: 3000K @ 2,154lm; 3500K @ 2,260lm; 4000K @ 2,277lm; 5000K @ 2,183lm

**Efficacy:**

11W: 3000K @ 108lm/W; 3500K @ 112lm/W; 4000K @ 112lm/W; 5000K @ 110lm/W  
16W: 3000K @ 104lm/W; 3500K @ 109lm/W; 4000K @ 110lm/W; 5000K @ 107lm/W  
22W: 3000K @ 99lm/W; 3500K @ 105lm/W; 4000K @ 108lm/W; 5000K @ 101lm/W

**L70 Lifespan:**

50,000-Hour LED lifespan based on IES LM-70 results

**Electrical**

**Driver:**

Constant Current, Class 2, 60 Hz, 120V-277V, 120V: 0.18A, 208V: 0.10A, 240V: 0.09A, 277V: 0.08A

**Dimming Driver:**

Driver includes dimming control wiring for 0-10V dimming systems. Requires separate 0-10V DC dimming circuit. Dims down to 10%.

**THD:**

≤20%

**Power Factor:**

≥0.9

**Dimmable:**

Yes, 0-10V dims down to 10%. See Dimmer Compatibility List.

**Input Voltage:**

120-277V

**Operating Frequency:**

50/60Hz

**Input Current @ 120V (mA):**

180mA

**Input Current @ 208V (mA):**

75mA

**Input Current @ 240 (mA):**

90mA

**Input Current @ 277 (mA):**

80mA

**Operating Temperature:**

-4°F to 104°F (-20°C to 40°C)

**Flicker:**

≤30%

**Color Temperature:**

Field Adjustable via dip switch  
3000/3500/4000/5000K

**LED Characteristics**

**Color Accuracy (CRI):**

>90 CRI

**R9 Value:**

High color performance with R9 greater than or equal to 50

**Color Consistency:**

4-step MacAdam Ellipse binning to achieve consistent fixture-to-fixture color

**Technical Specifications (continued)****Color Stability:**

LED color temperature is warranted to shift no more than 200K in color temperature over a 5-year period

**Color Uniformity:**

RAB's range of Correlated Color Temperature follows the guidelines of the American National Standard for Specifications for the Chromaticity of Solid State Lighting (SSL) Products, ANSI C78.377-2017.

**Installation****Mounting:**

Recessed

**Construction****Size:**

8"

**Shape:**

Round

**Finish:**

White

**Enclosure Material:**

Aluminum

**Trim Style:**

Smooth

**Lens:**

Polycarbonate light diffuser distributes light evenly and smoothly for general lighting applications

**IC Rated:**

Suitable for direct contact with insulation

**Air Tight:**

Housing certified Air Tight as per ASTM E283

**Compliance****Listings:**

UL Listed, UL Classified

**Environment:**

Suitable for use in dry, damp, and wet environments.

**Energy Star Approved:**

This product is ENERGY STAR® Version 2.2 Certified

**Model Number for Certification:**

CRLEDFA-8R-22S-9CCT-UNV-WS

**T20 Compliant:**

Not Compliant

**California Title 24 JA8 Compliant:**

Can be used to conform with the requirements of California Title 24 Part 6

**California Energy Commission (CEC) Status:**

Lawful for Sales in California

**NEC Compliant:**

Suitable for use in closets. Compliant with NEC Sec. 410.16 (A)(1) and 410.16 (C5).

**IESNA LM-79 & LM-80 Testing:**

RAB LED luminaires and LED components have been tested by an independent laboratory in accordance with IESNA LM-79 and LM-80

**RoHS:**

Mercury and UV free. RoHS-compliant components.

**FCC:**

Complies with Part 15B of the FCC Rules

**Trade Agreements Act Compliant:**

This product is a product of Cambodia and a "designated country" end product that complies with the Trade Agreements Act

**Other****Accessories:**

[DLPLATE/C3468R/NB DLPLATE/WFR3468/NB](#)

Mounting Plate w/nailer bar

[DL8-10GOOF/R/P/CRLEDFA](#)

Commercial Downlight 8"-10" Goof Ring

[DL8-12GOOF/R/P/CRLEDFA](#)

Commercial Downlight 10"-12" Goof Ring

[DLTRIM/CRLEDFA8R-BNS](#)

8" Smooth Brushed Nickel Color Trim

[DLTRIM/CRLEDFA8R-BRS](#)

8" Smooth Bronze Color Trim

[DLTRIM/CRLEDFA8R-BS](#)

8" Smooth Black Color Trim

[DRI-25-EMGR-DC](#)

Emergency Back up Driver

**Warranty:**

RAB warrants that our LED products will be free from defects in materials and workmanship for a period of five (5) years from the date of delivery to the end user, including coverage of light output, color stability, driver performance and fixture finish. RAB's warranty is subject to all terms and conditions found at [rablighting.com/warranty](http://rablighting.com/warranty).

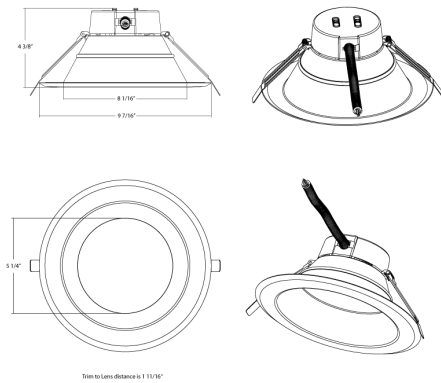
**Note:**

All values are typical (tolerance +/- 10%)

**Technical Specifications (continued)****Buy American Act Compliance:**

RAB values USA manufacturing! Upon request, RAB may be able to manufacture this product to be compliant with the Buy American Act (BAA). Please contact customer service to request a quote for the product to be made BAA compliant.

**Dimensions**



**Features**

- Mounts directly into ceiling, no housing required
- Field-adjustable "set and forget" color temperature
- High-performance LEDs for commercial applications
- Meets air-tight requirements
- 0-10V dimming, see Dimmer Compatibility List
- Suitable for wet and damp locations
- Replacement for traditional compact fluorescent recessed downlights

**Ordering Matrix**

Family	Size	Shape	Wattage	CRI/Color Temp	Voltage	Finish	Trim	Options
CRLEDFA	8	R	22S	9CCT	UNV	W	S	
	4 = 4" 6 = 6" 8 = 8" 10 = 10"	R = Round	12S = 12/9/7W Selectable 16S = 16/12/9W Selectable 22S = 22/16/11W Selectable 24S = 24/19/15W Selectable 33S = 33/29/25W Selectable 43S = 43/37/32W Selectable	9CCT = 90 CRI, 3000K/3500K/4000K/5000K	UNV = 120/277V, 0-10V Dimming	W = White	S = Smooth	Blank = No Option /E = Battery Backup