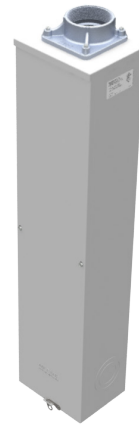




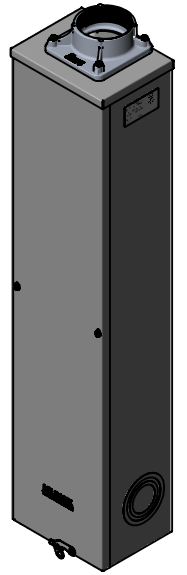
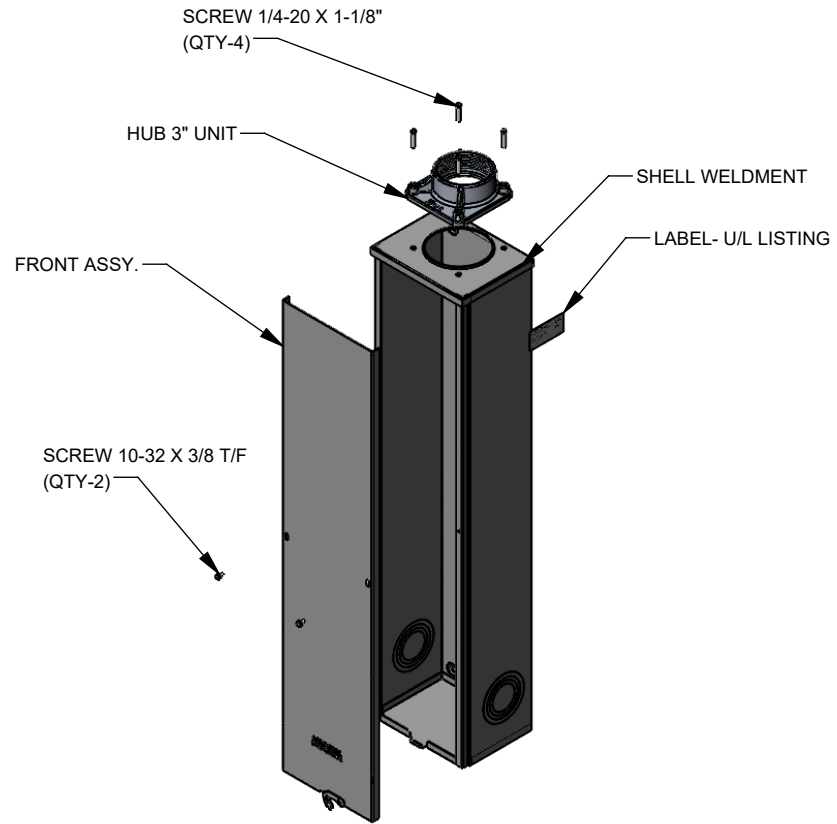
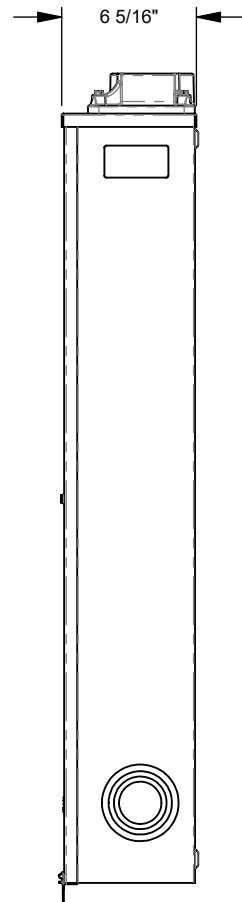
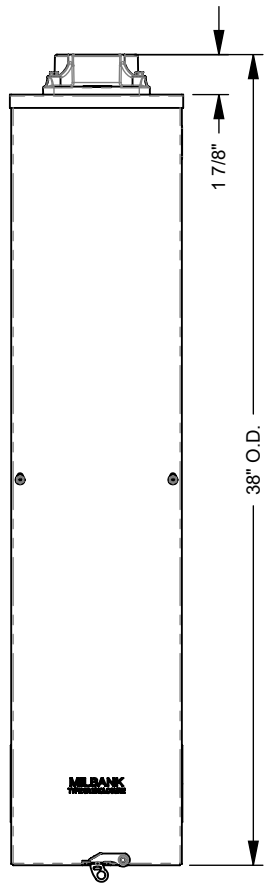
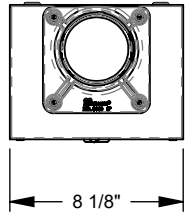
**MILBANK**<sup>®</sup>  
ENERGY AT WORK

## K4787-F



Catalog Number	K4787-F
Marketing Product Description	Overhead Conversion Kit For Use With M400
UPC	784572520028
Length (IN)	6
Width (IN)	8
Height (IN)	36
Weight (LB)	24.1
Brand Name	Milbank
Type	Mounting Conversion
Application	Wireway Accessory
Standard	UL Listed
Cover Type	Screw Cover Vertical Mounting
Enclosure	No Enclosure
Material	G90 Galvanized Steel
Finish	ANSI 61 Gray Powder Coat Finish
Consist Of	Fitting
Knockouts	True
NEMA Rating	No Rating

Please consult serving utility for their requirements prior to ordering or installing, as specifications and approvals vary by utility and may require local electrical inspector approval. All installations must be installed by a licensed electrician and must comply with all national and local codes, laws and regulations. Milbank reserves the right to make changes in specifications and features shown without notice or obligation.



Version:

**1**

**All dimensions are +/- 1/16".  
Drawing views are not to scale.**

Please consult serving utility for their requirements prior to ordering or installing, as specifications and approvals vary by utility, and may require local electrical inspector approval. All installations must be installed by a licensed electrician and must comply with all national and local codes, laws and regulations. Milbank reserves the right to make changes in specifications and features shown without notice or obligation.