



Main

| | |
|---|---|
| Range of Product | Harmony Electromechanical Relays |
| Series name | Power |
| Product or Component Type | DIN rail/panel mount relay |
| Device short name | RPF |
| Contacts type and composition | 2 NO |
| [Uc] control circuit voltage | 230 V AC 50/60 Hz |
| Control Type | Without lockable test button |
| Shape of pin | Flat |
| Contacts material | Silver tin oxide |
| [the] conventional enclosed thermal current | 25 A -40...131 °F (-40...55 °C) relays side by side without a gap 30 A -40...131 °F (-40...55 °C) 13 mm gap between two relays |
| Resistive rated load | 25 A 28 V DC 30 A 250 V AC |
| Utilisation coefficient | 10 % |

Complementary

| | |
|--|--|
| Mounting Support | Panel DIN rail |
| Control circuit voltage limits | 184...253 V |
| [Ie] rated operational current | 30 A 277 V AC) NO UL 20 A 28 V DC) NO UL 30 A 250 V AC) NO IEC 25 A 28 V DC) NO IEC |
| [Ui] rated insulation voltage | 250 V IEC 300 V UL |
| [Uimp] rated impulse withstand voltage | 4 kV 1.2/50 µs |
| Maximum switching voltage | 250 V IEC |
| Maximum switching capacity | 7500 VA/700 W |
| Minimum recommended switching capacity | 6000 mW 500 mA / 12 V NO |
| Operating rate | <= 1200 cycles/hour under load <= 18000 cycles/hour no-load |
| Mechanical durability | 5000000 cycles |
| Electrical durability | 100000 cycles resistive |
| Average coil consumption | 4 VA 60 Hz |
| Drop-out voltage threshold | >= 0.15 Uc |
| Operate time | 25 ms |
| Release time | 25 ms |
| Average resistance | 15600 Ohm at 68 °F (20 °C) +/- 15 % |
| Safety reliability data | B10d = 100000 |
| Protection category | RT II |
| Test levels | Level A |
| Operating position | Any position |
| CAD overall width | 1.33 in (33.7 mm) |
| CAD overall height | 2.70 in (68.5 mm) |
| CAD overall depth | 1.54 in (39.2 mm) |

The information provided in this documentation contains general descriptions and/or technical characteristics of the performance of the products contained herein. This documentation is not intended as a substitute for and is not to be used for determining suitability or reliability of these products for specific user applications. It is the duty of any such user or integrator to perform the appropriate and complete risk analysis, evaluation and testing of the products with respect to the relevant specific application or use thereof. Neither Schneider Electric Industries SAS nor any of its affiliates or subsidiaries shall be responsible or liable for misuse of the information contained herein.

| | |
|---------------------|------------------------|
| Net Weight | 0.18 lb(US) (0.082 kg) |
| Device presentation | Complete product |

Environment

| | |
|---------------------------------------|---|
| Dielectric strength | 2000 V AC between poles with basic 4000 V AC between coil and contact with reinforced 1500 V AC between contacts with micro disconnection |
| Standards | CSA C22.2 No 14 EN/IEC 61810-1 UL 508 |
| Product Certifications | CSA CE GOST UL |
| Ambient Air Temperature for Storage | -40...185 °F (-40...85 °C) |
| Ambient air temperature for operation | -40...131 °F (-40...55 °C) |
| Vibration resistance | 3 gn +/- 1 mm 10...150 Hz)5 cycles in operation 10 gn +/- 1 mm 10...150 Hz)5 cycles not operating |
| IP degree of protection | IP40 conforming to EN/IEC 60529 |
| Shock resistance | 10 gn in operation 30 gn not operating |
| Pollution degree | 3 |

Ordering and shipping details

| | |
|-----------------------|-----------------------------|
| Category | 21127-ZELIO ICE CUBE RELAYS |
| Discount Schedule | CP2 |
| GTIN | 3389119401579 |
| Nbr. of units in pkg. | 1 |
| Package weight(Lbs) | 2.82 oz (80.0 g) |
| Returnability | Yes |
| Country of origin | CN |

Packing Units

| | |
|------------------------------|------------------------|
| Unit Type of Package 1 | PCE |
| Package 1 Height | 1.38 in (3.5 cm) |
| Package 1 width | 1.65 in (4.2 cm) |
| Package 1 Length | 2.72 in (6.9 cm) |
| Unit Type of Package 2 | BB1 |
| Number of Units in Package 2 | 10 |
| Package 2 Weight | 30.69 oz (870.0 g) |
| Package 2 Height | 1.77 in (4.5 cm) |
| Package 2 width | 5.71 in (14.5 cm) |
| Package 2 Length | 7.87 in (20 cm) |
| Unit Type of Package 3 | S02 |
| Number of Units in Package 3 | 60 |
| Package 3 Weight | 12.46 lb(US) (5.65 kg) |
| Package 3 Height | 5.91 in (15 cm) |
| Package 3 width | 11.81 in (30 cm) |
| Package 3 Length | 15.75 in (40 cm) |

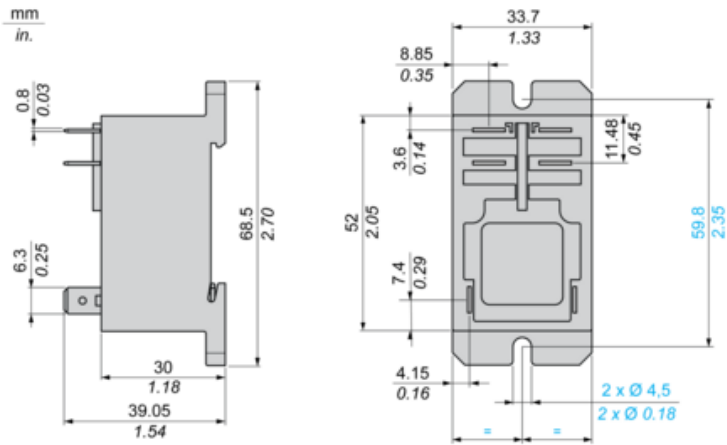
Offer Sustainability

| | |
|----------------------------|--|
| Sustainable offer status | Green Premium product |
| California proposition 65 | WARNING: This product can expose you to chemicals including: Nickel compounds, which is known to the State of California to cause cancer, and Di-isodecyl phthalate (DIDP), which is known to the State of California to cause birth defects or other reproductive harm. For more information go to www.P65Warnings.ca.gov |
| REACH Regulation | REACH Declaration |
| REACH free of SVHC | Yes |
| EU RoHS Directive | Pro-active compliance (Product out of EU RoHS legal scope) EU RoHS Declaration |
| Toxic heavy metal free | Yes |
| Mercury free | Yes |
| RoHS exemption information | Yes |
| China RoHS Regulation | China RoHS Declaration |
| Environmental Disclosure | Product Environmental Profile |

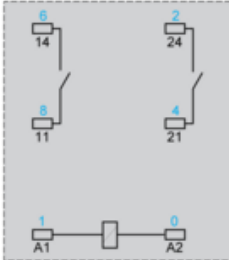
Contractual warranty

| | |
|----------|-----------|
| Warranty | 18 months |
|----------|-----------|

Dimensions



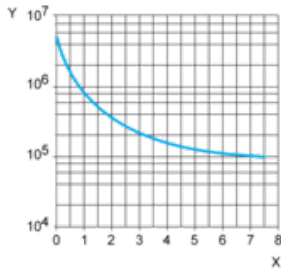
Wiring Diagram



Symbols shown in blue correspond to Nema marking.

Electrical Durability of Contacts

AC Resistive load

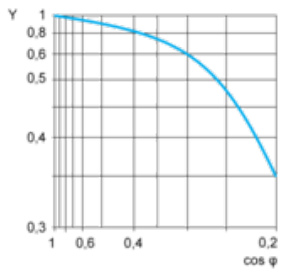


X Switching capacity (kVA)

Y Durability (number of operating cycles)

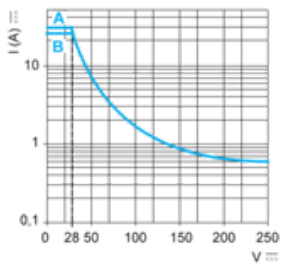
AC Reduction coefficient for inductive load (depending on power factor $\cos \phi$)

Durability (inductive load) = durability (resistive load) x reduction coefficient.



Y reduction coefficient

Maximum switching capacity on DC resistive load



A 30 A

B 25 A

Note : These are typical curves, actual durability depends on load, environment, duty cycle, etc.