

<b>Project:</b>	<b>Type:</b>	<b>Prepared By:</b>	<b>Date:</b>
-----------------	--------------	---------------------	--------------



### Features and Benefits

- Energy efficient replacement for incandescent and halogen PAR lamps
- Constructed from durable materials which lowers risk of breakage
- Rated for use in enclosed and open fixtures in wet locations
- Single optic and full face lens for precise beam angle control
- Longer lifespan compared to legacy equivalents minimizes replacement and maintenance costs
- ENERGY STAR Compliant, UL Listed
- Dimmable down to 20% (check dimmer compatibility list)

Technical Specifications		
<b>Performance</b>	<b>Dimmable:</b>	<b>Warranty (Years):</b>
<b>Product Type:</b> PAR	Yes, down to 20%	RAB warrants that our LED products will be free from defects in materials and workmanship for a period of four (4) years from the date of delivery to the end user, including coverage of light output, color stability, driver performance and fixture finish. RAB's warranty is subject to all terms and conditions found at <a href="http://rablighting.com/warranty">rablighting.com/warranty</a> .
<b>Input Wattage:</b> 11W	<b>Construction</b>	<b>LED Characteristics</b>
<b>Lumens (Nominal):</b> 800lm	<b>Bulb Shape:</b> PAR30S	<b>Color Temperature:</b> 2700K Soft White
<b>Efficacy:</b> 73 lm/W	<b>Base Type:</b> E26	<b>Electrical</b>
<b>Color Accuracy (CRI):</b> 80 CRI	<b>Beam Angle:</b> 40°	<b>Power Factor:</b> 0.7
<b>L70 Lifespan:</b> 25,000 Hours	<b>For Use Outdoors in Open Fixtures:</b> Yes	<b>Operating Temperature:</b> -20°C - 45°C
	<b>Other</b>	<b>Input Voltage:</b> 120V
	<b>Equivalency:</b> 75W Halogen	

## Technical Specifications (continued)

### Electrical Characteristics

#### Flicker:

<30%

#### Compliance

#### UL Listed:

Yes

### ENERGY STAR V2.0:

This product is ENERGY STAR® Version 2.0 Certified

### Energy Star ID:

2330107

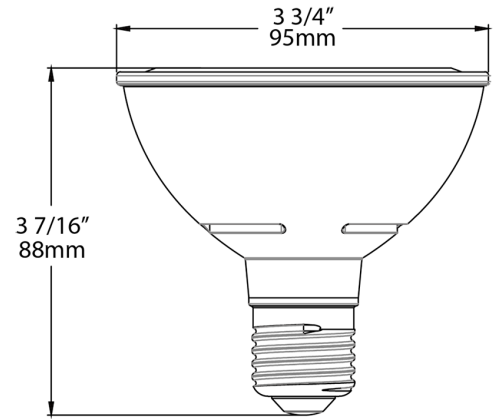
### CEC Status:

Not lawful for sale in California

## Case and Pallet Dimensions

	QTY	LENGTH (in)	WIDTH (in)	HEIGHT (in)
CASE	12	16.1	12.2	4.4
PALLET	2304	44.5	36.5	47.7

## Dimension



## Light Distribution

