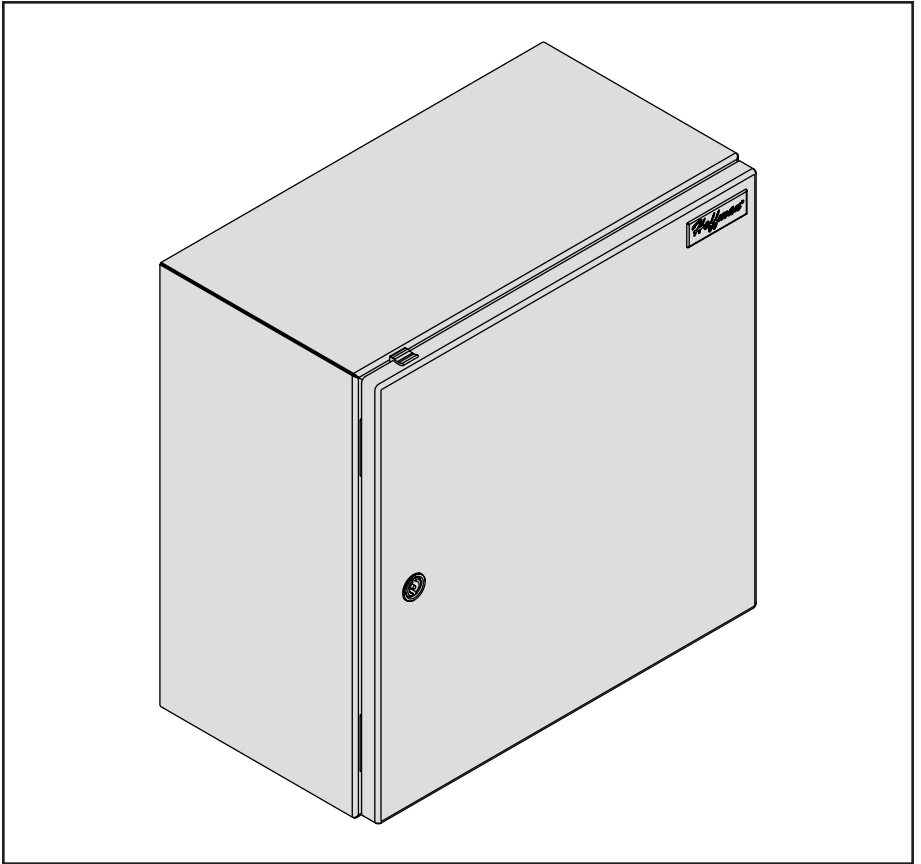
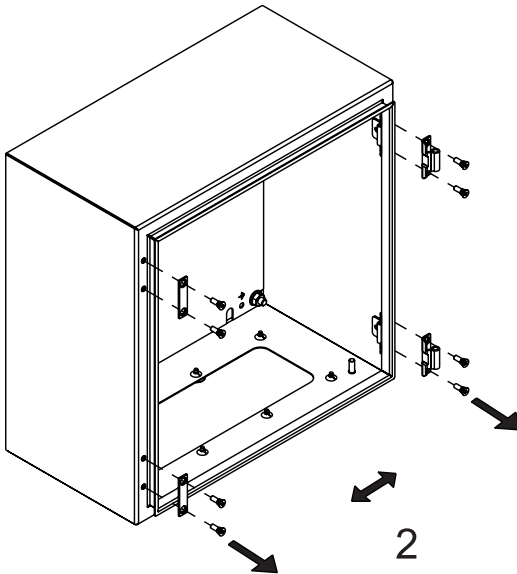
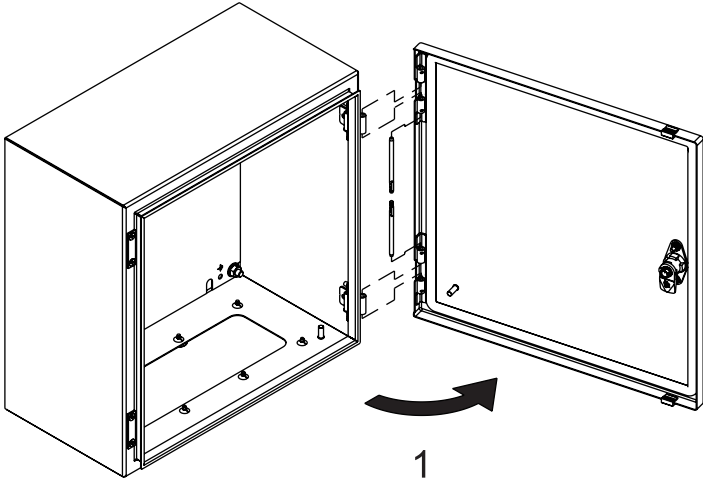
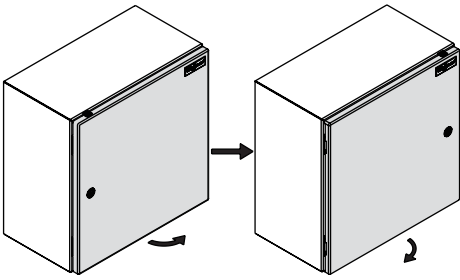
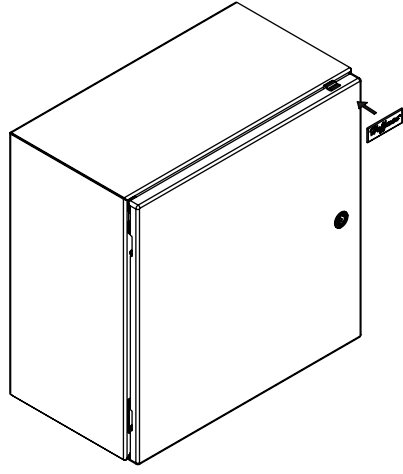
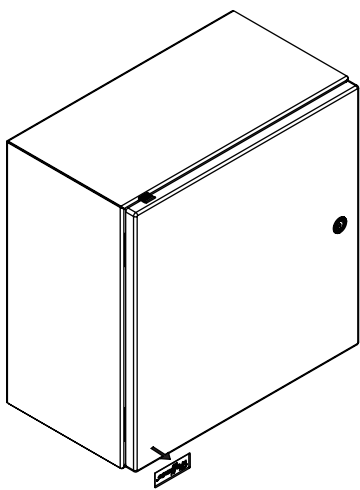
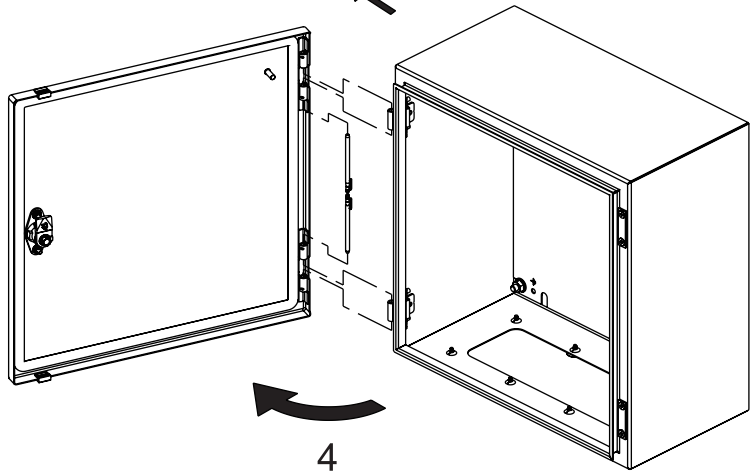
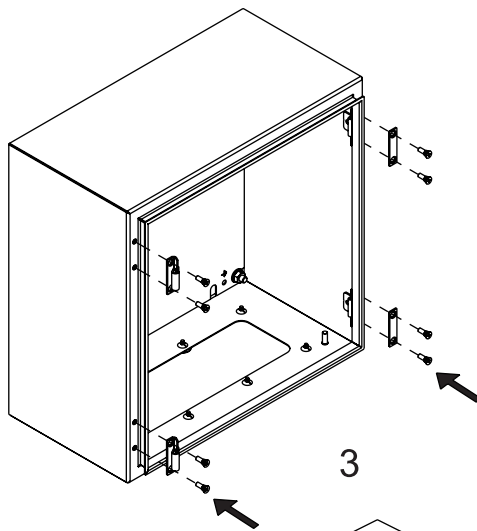


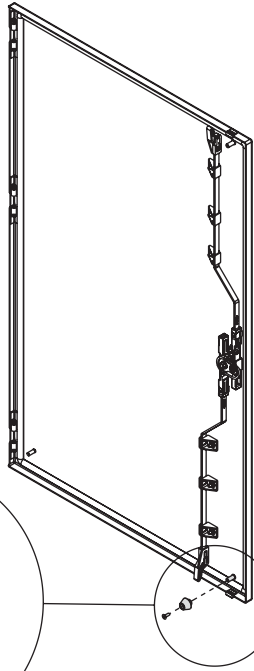
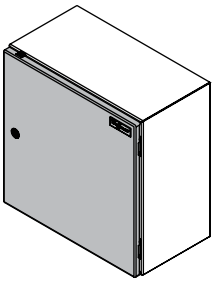


HOFFMAN

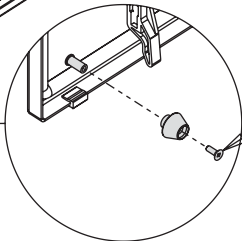
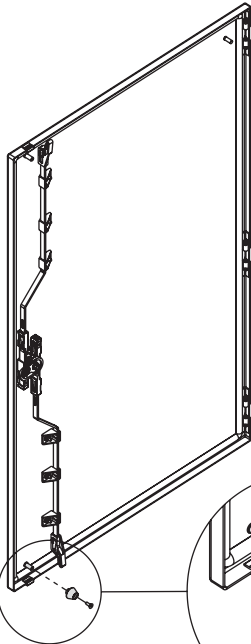
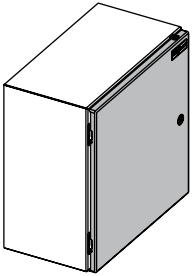
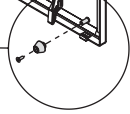
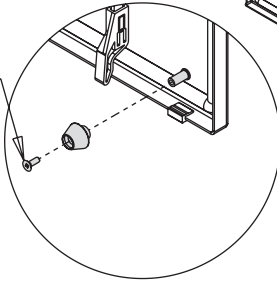




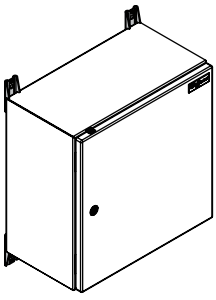



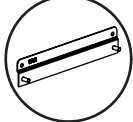


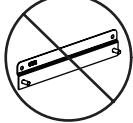




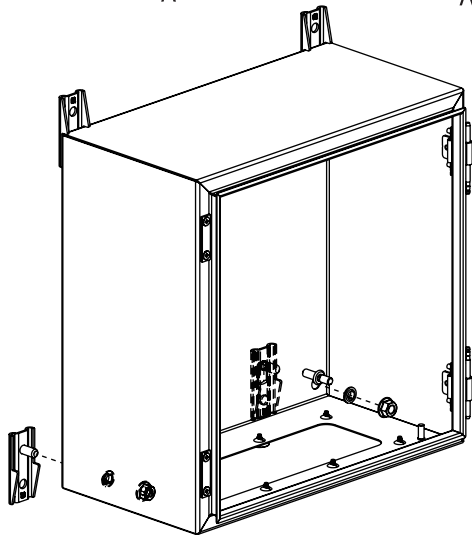
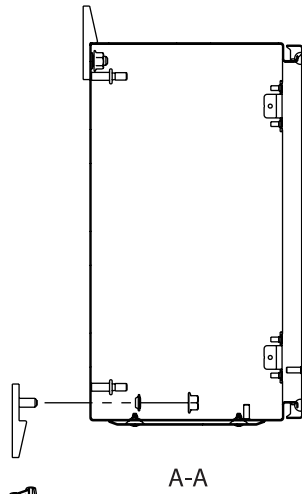
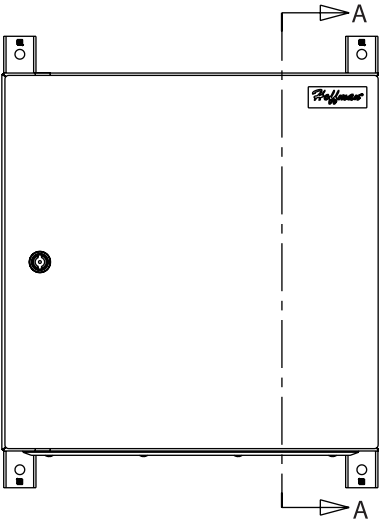
38 IN-LB
(4.3 Nm)

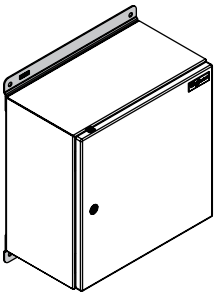



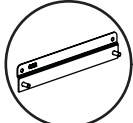


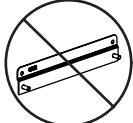


38 IN-LB
(4.3 Nm)

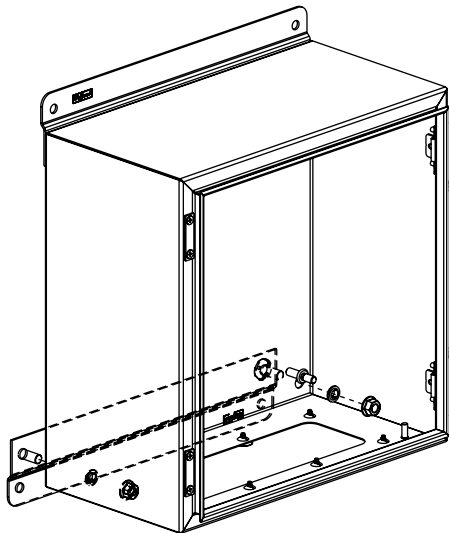
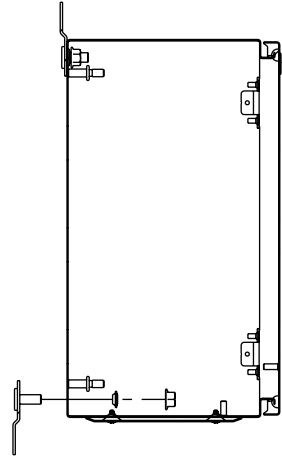
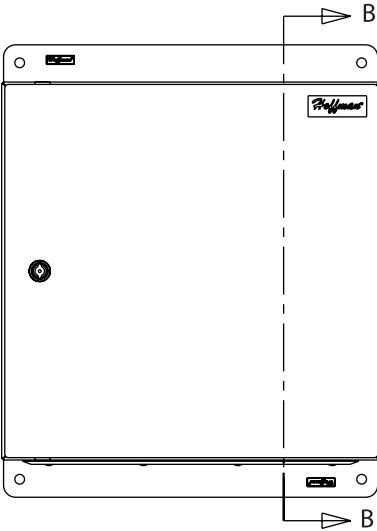


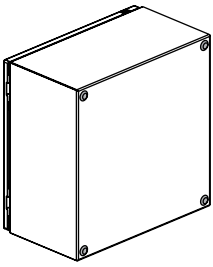
 CMFK CMFKSS CMTGFT GMTBKTMS			
			




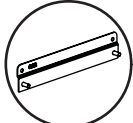







 CMFK CMFKSS CMTGFT GMTBKTMS			→ 
			→ 



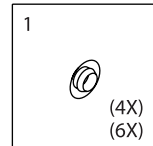
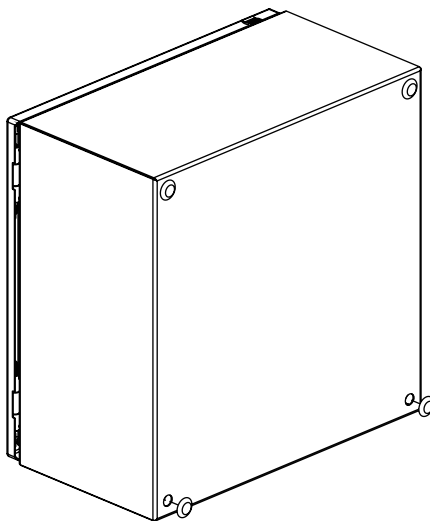
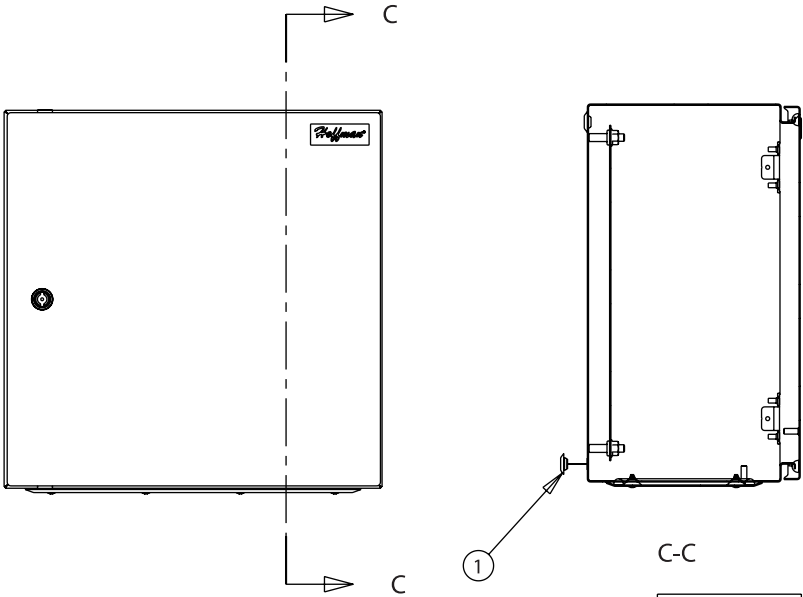


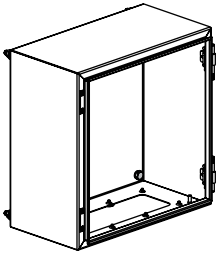


  → 

  → 

CMFK
CMFKSS
CMTGFT
GMTBKTMS





→

CMFK
CMFKSS
CMTGFT
GMTBKTMS

→

