

Project: _____ Type: _____ Prepared By: _____ Date: _____



Features and Benefits

- Replaces 18W/26W/32W G24d & G24q CFL Lamps
- Ballast Bypass. Integral Driver enables lamp to be wired directly to line voltage without need for an external driver or ballast
- Compatible with G24d / GX24d & G24q / GX24q installations
- 50,000 hour Lifespan
- Environmentally friendly, no mercury used
- UL Classified
- Rated for use in enclosed and open fixtures in dry or damp locations
- Non-Dimmable
- 5 Year No Compromise Warranty

Technical Specifications		
<p>Performance</p> <hr/> <p>Product Type: Compact</p> <p>Input Wattage: 9W</p> <p>Lumens (Nominal): 1000lm</p> <p>Efficacy: 111 lm/W</p> <p>Color Accuracy (CRI): 82 CRI</p> <p>L70 Lifespan: 50,000 Hours</p>	<p>Dimmable: No</p> <p>Construction</p> <hr/> <p>Bulb Shape: PLC</p> <p>Finish: Frosted</p> <p>Base Type: G24d</p> <p>For Use Outdoors in Open Fixtures: No</p> <p>Other</p> <hr/> <p>Equivalency: 26W Fluorescent</p>	<p>Warranty (Years):</p> <p>RAB warrants that our LED products will be free from defects in materials and workmanship for a period of five (5) years from the date of delivery to the end user, including coverage of light output, color stability, driver performance and fixture finish. RAB's warranty is subject to all terms and conditions found at rablighting.com/warranty.</p> <p>LED Characteristics</p> <hr/> <p>Color Temperature: 4000K Cool White</p> <p>Electrical</p> <hr/> <p>Power Factor: 0.9</p> <p>Operating Temperature: -20°C - 45°C</p> <p>Input Voltage: 120-277V AC</p>

Technical Specifications (continued)

Electrical

Operating Frequency:

50/60 Hz

Installation

Installation Type:

Type B, Ballast Bypass

Installation Orientation:

Vertical

Electrical Characteristics

THD:

<20%

Compliance

UL Recognized:

Yes

UL Classified:

Yes

CEC Status:

Lawful for sale in California

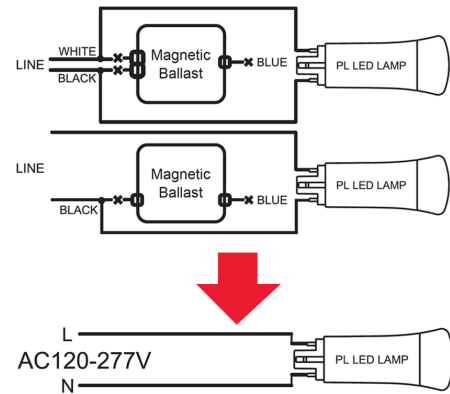
Application:

Suitable for damp locations and totally enclosed fixtures.

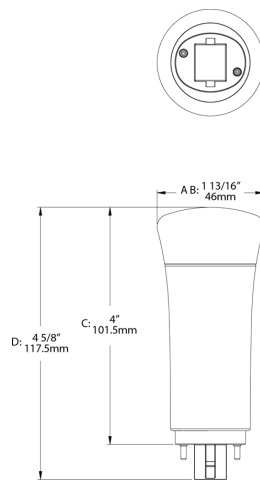
Case and Pallet Dimensions

	QTY	LENGTH (in)	WIDTH (in)	HEIGHT (in)
CASE	12	8.1	6.1	5.1
PALLET	3456	47.2	39.4	47.6

Wiring Diagram



Dimension



Light Distribution

