



Main

Range	TeSys TeSys Deca
Device short name	GV3AP
Product or Component Type	Rotary handle kit
Accessory / separate part category	Control accessory
Handle colour	Black
Handle front plate colour	Grey

Complementary

Product Compatibility	GV3P GV3L
Rotary handle padlocking	Padlock in ON position Padlock in OFF position
Rotary handle mounting style	Extended
Locking options description	1 to 3 padlocks
Back/door distance	7.44...11.81 in (189...300 mm)
Net Weight	0.66 lb(US) (0.3 kg)

Environment

IP degree of protection	IP54
-------------------------	------

Ordering and shipping details

Category	22367-MANUAL STR PROTECTOR - GV2
Discount Schedule	I11
GTIN	3606480160950
Nbr. of units in pkg.	1
Package weight(Lbs)	13.19 oz (374.0 g)
Returnability	Yes
Country of origin	CZ

Packing Units

Unit Type of Package 1	PCE
Package 1 Height	2.56 in (6.5 cm)
Package 1 width	3.54 in (9 cm)
Package 1 Length	14.57 in (37 cm)
Unit Type of Package 2	S03
Number of Units in Package 2	12
Package 2 Weight	10.88 lb(US) (4.934 kg)
Package 2 Height	11.81 in (30 cm)
Package 2 width	11.81 in (30 cm)
Package 2 Length	15.75 in (40 cm)

Offer Sustainability

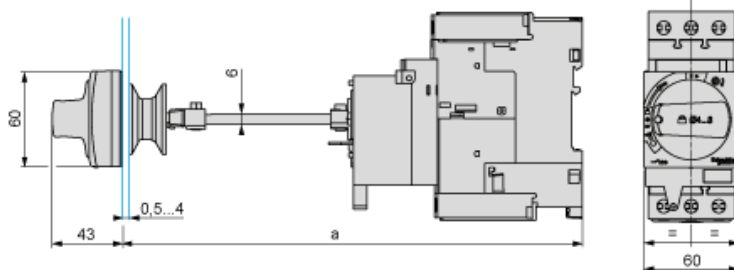
Sustainable offer status	Green Premium product
California proposition 65	WARNING: This product can expose you to chemicals including: Antimony oxide & Antimony trioxide, which is known to the State of California to cause cancer. For more information go to www.P65Warnings.ca.gov
REACH Regulation	REACH Declaration
EU RoHS Directive	Compliant EU RoHS Declaration
Mercury free	Yes
RoHS exemption information	Yes
China RoHS Regulation	China RoHS Declaration
Environmental Disclosure	Product Environmental Profile
Circularity Profile	End Of Life Information
WEEE	The product must be disposed on European Union markets following specific waste collection and never end up in rubbish bins.

Contractual warranty

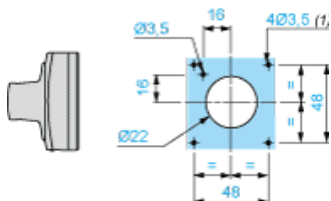
Warranty	18 months
----------	-----------

Mounting

Mounting of External Operator GV3APN01, GV3APN02 or GV3APN04 for Motor Circuit Breakers GV3L

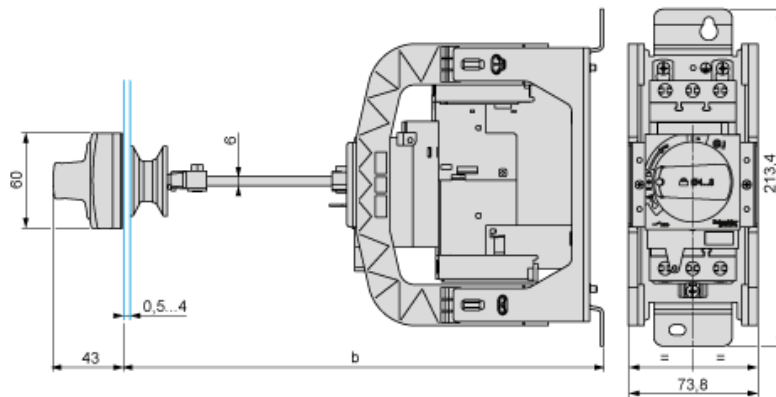


Door cut-out



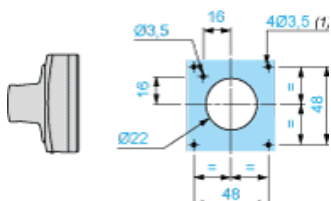
(1) For IP65 only.

Mounting of External Operator GVAPH03 for Motor Circuit Breakers GV3L



	b	
	Minimum	Maximum
GV3APN... + GVAPH03	200	300
GV3APN... + GVAPH03 + GVAPK12	300	492

Door cut-out



(1) For IP65 only.